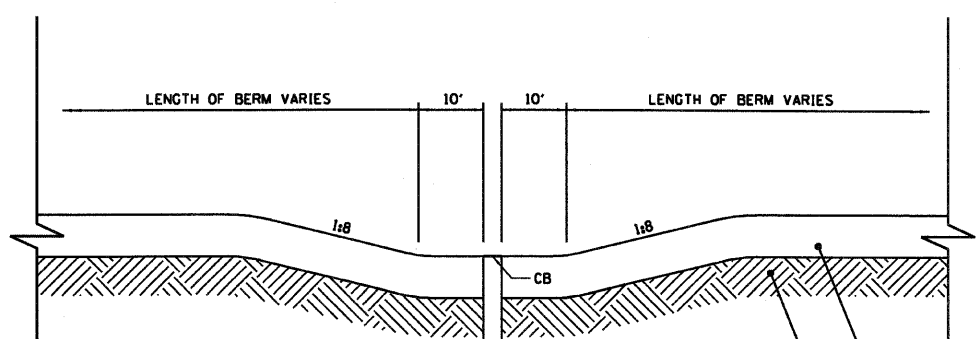
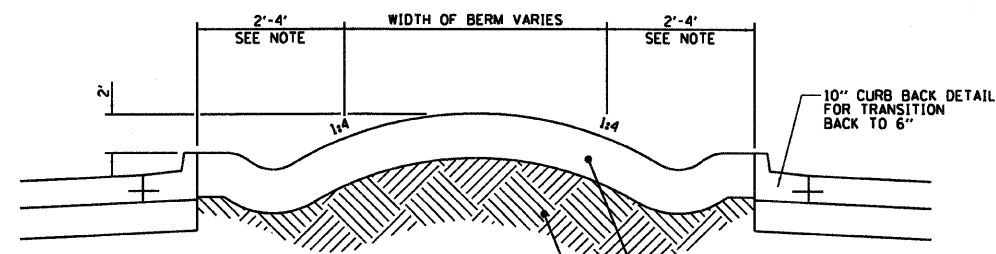


PLAN



PROFILE

- ① FURNISHING AND PLACING TOPSOIL 24" AND SEEDING
- ② SUBGRADE

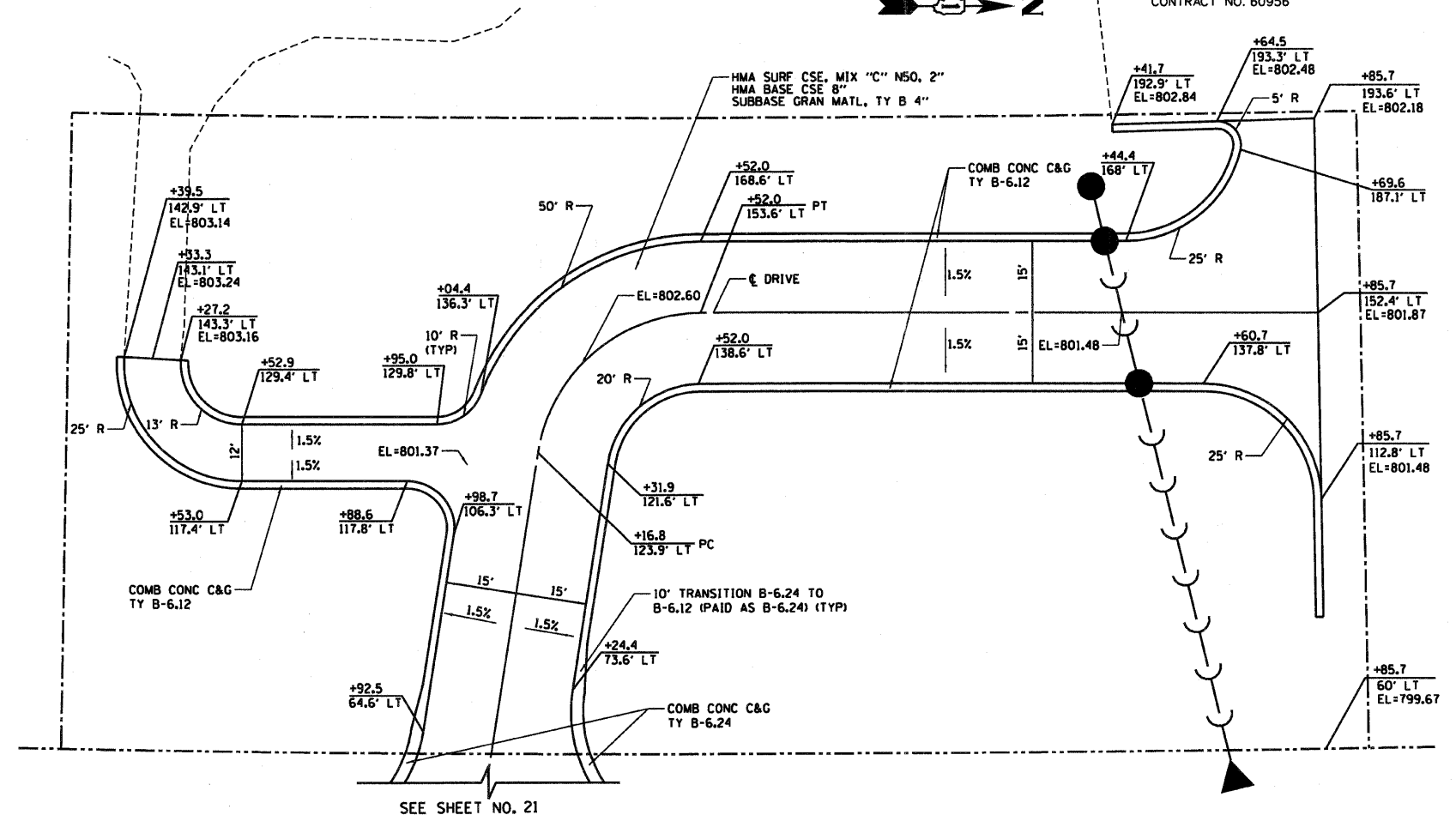


MEDIAN BERM DETAIL

- ① FURNISHING AND PLACING TOPSOIL 24" AND SEEDING SEE SHEETS 110-115 FOR TYPE.
- ② SUBGRADE

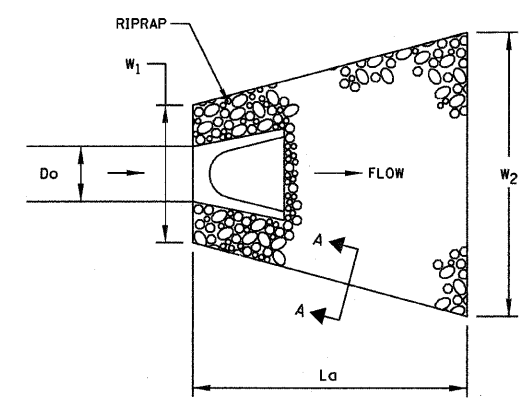
NOTE:
 IF MEDIAN WIDTH >= 15' (MEASURED FROM BACK OF CURB TO BACK OF CURB), THEN DITCH WIDTH SHALL BE 4'.
 IF MEDIAN WIDTH < 15' (MEASURED FROM BACK OF CURB TO BACK OF CURB), THEN DITCH WIDTH SHALL BE 2'.

TYPICAL SECTION

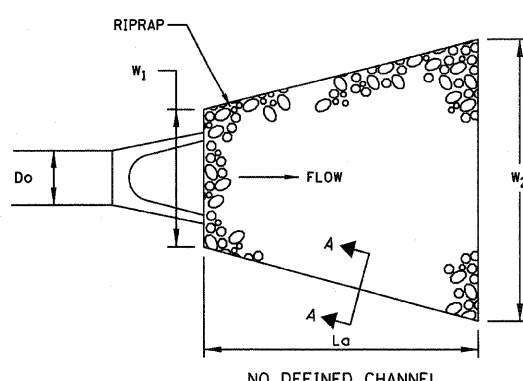


DRIVEWAY DETAIL

SEE SHEET NO. 21

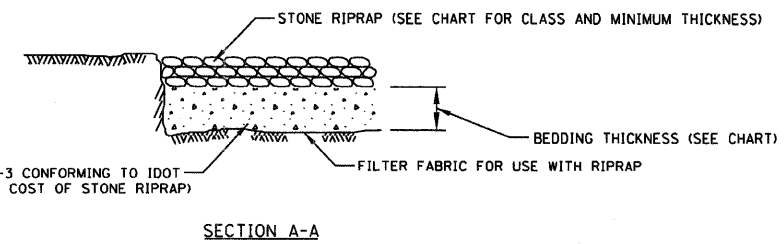


DEFINED CHANNEL



NO DEFINED CHANNEL

STRUCTURE NUMBER	LOCATION STA.	PIPE SIZE (in)	DEFINED CHANNEL	W ₁ (FEET)	W ₂ (FEET)	L _a (FEET)	RIPRAP			
							CLASS	MINIMUM THICKNESS (in)	BEDDING THICKNESS (in)	QUANTITY (SQ. YD.)
220	1113+35	63" LT	NO	13.25'	22.42'	10'	A4	16	6	20
333	1136+60	80" LT	YES	6'	7.6'	14'	A3	8	N/A	11
	1139+25	77" LT	YES	3.75'	7.65'	16'	A4	8	N/A	10
	1142+50	72" LT	YES	3.75'	7.65'	16'	A4	8	N/A	10
406	1139+75	77" LT	YES	4.5'	6.3'	12'	A3	8	N/A	7
441	1149+74	114" LT	YES	13.25'	22.42'	18'	A4	16	6	36
	1148+80	454" LT	N/A	12.5'	12.5'	30'	A4	16	6	45



SECTION A-A

REVISIONS	
NAME	DATE

ILLINOIS DEPARTMENT OF TRANSPORTATION
CONSTRUCTION AND RIPRAP DETAILS
 U. S. ROUTE 45
 DATE: 12/14/09
 DRAWN BY: SAH
 CHECKED BY: BJJ
 NO SCALE