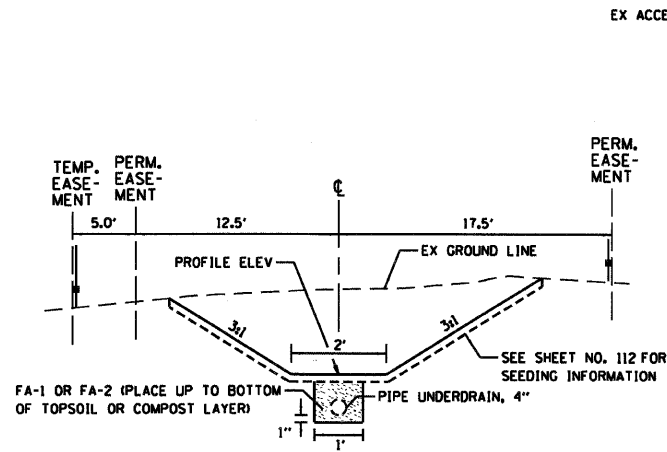
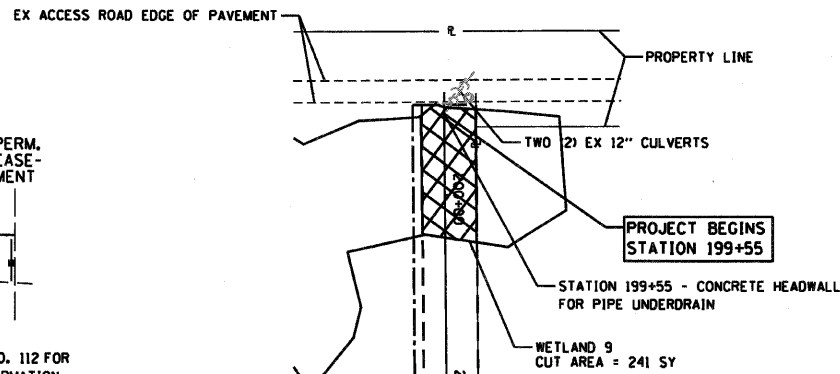


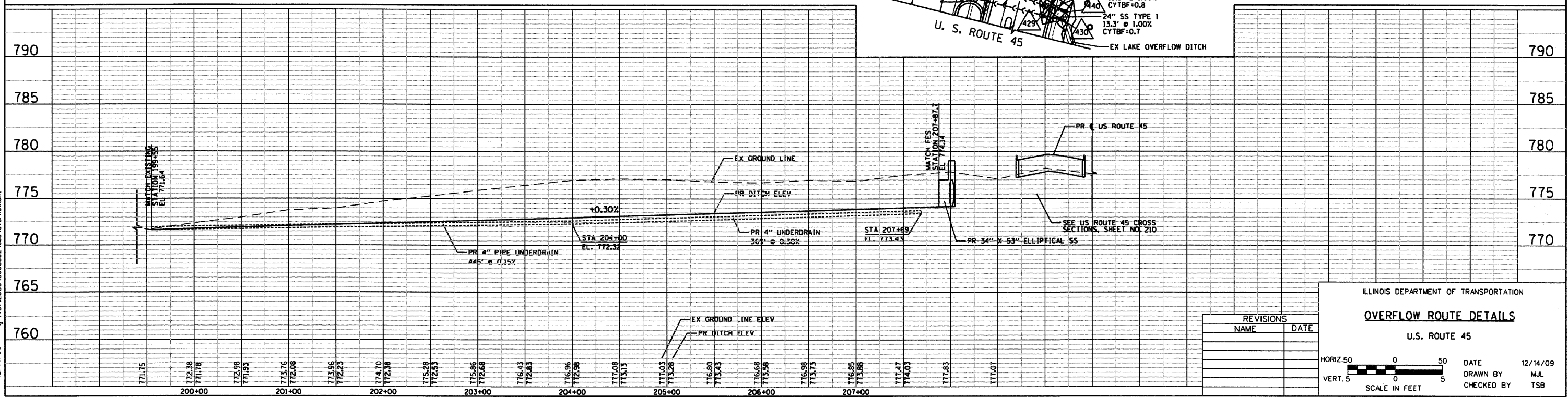
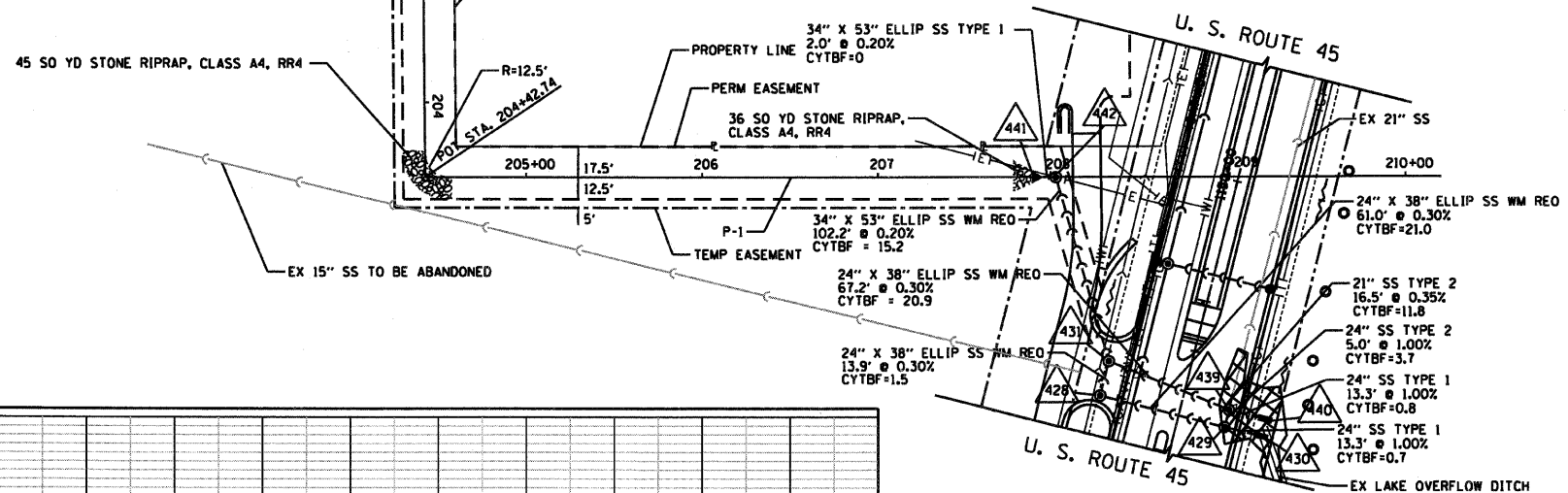
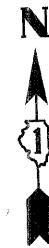
RTE	SECTION	COUNTY	TOTAL SHEETS	SHEET NO
344	(46-1S&47)WRS-2	LAKE	234	97
STA.	TO STA.			
FED. ROAD DIST. NO. 7	ILLINOIS	FED. AID PROJECT		
CONTRACT NO. 60956				



DITCH TYPICAL CROSS SECTION
LOOKING NORTH/WEST



PIPE UNDERDRAIN
P-1 369' @ 0.30%
P-2 445' @ 0.15%



REVISIONS	
NAME	DATE

ILLINOIS DEPARTMENT OF TRANSPORTATION

OVERFLOW ROUTE DETAILS

U.S. ROUTE 45

HORIZ. 50 0 50
VERT. 5 0 5
SCALE IN FEET

DATE 12/14/09
DRAWN BY M.J.L.
CHECKED BY T.S.B.



12/14/09 - g:\401\2000\0005302\oad\over flow.shl