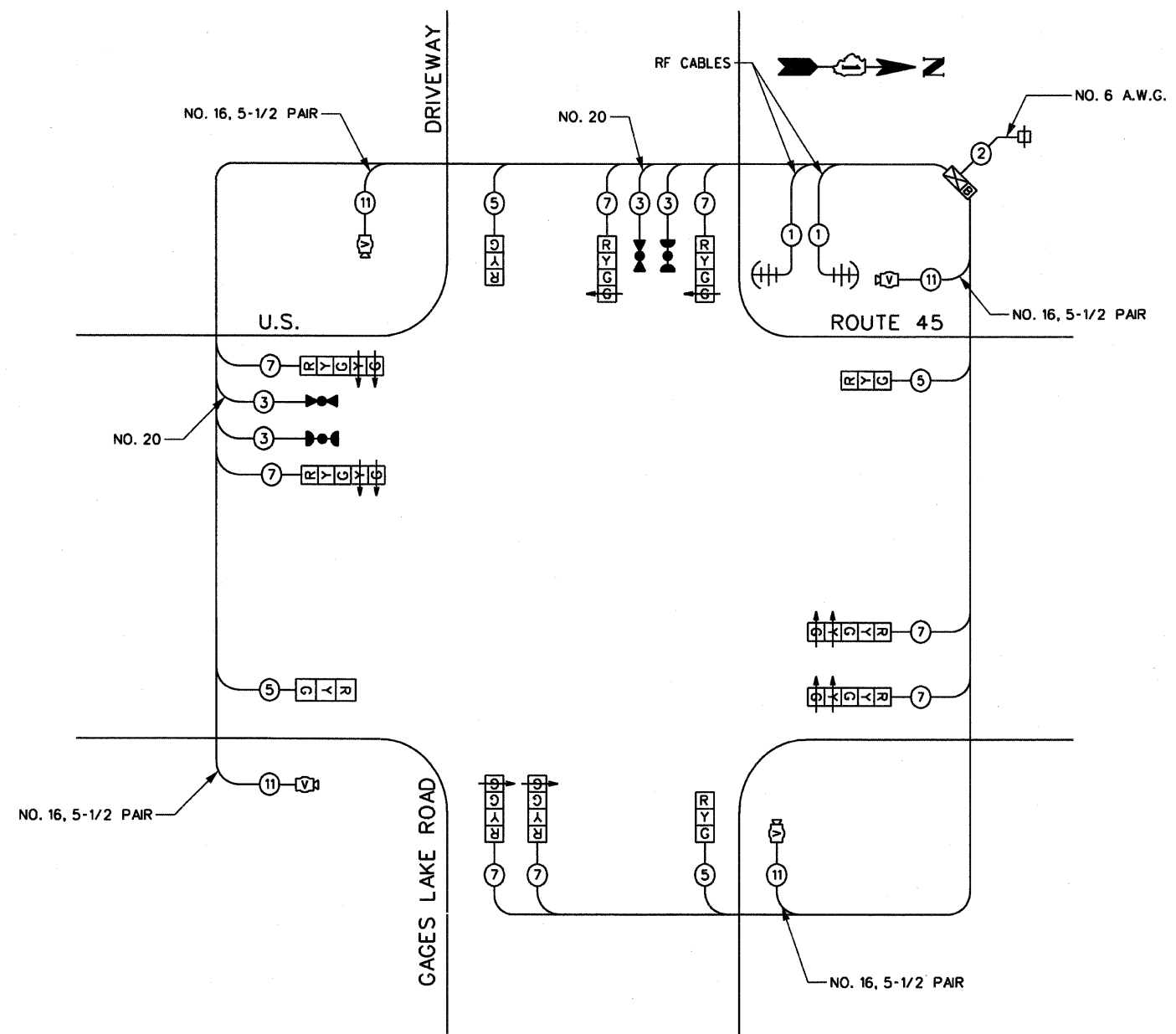


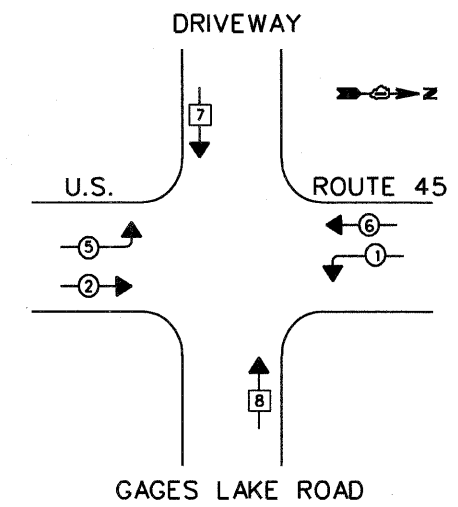
RTE	SECTION	COUNTY	TOTAL SHEETS	SHEET NO
344	(46-1S&47)WRS-2	LAKE	234	143
STA.		TO STA.		
FED. ROAD DIST. NO. 7		ILLINOIS	FED. AID PROJECT	
CONTRACT NO. 60956				

THE TRAFFIC SIGNAL CONTROL EQUIPMENT FOR THIS PROJECT SHALL BE "EAGLE" TO MATCH THE EXISTING ADJACENT SYSTEM.



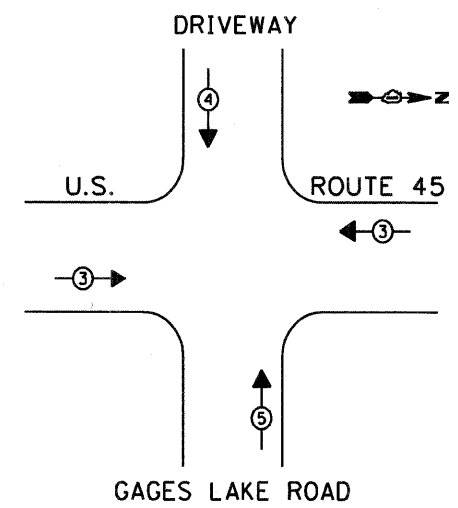
TEMPORARY CABLE PLAN
NOT TO SCALE

TEMPORARY CONTROLLER SEQUENCE



PHASE DESIGNATION DIAGRAM

TEMPORARY EMERGENCY VEHICLE PREEMPTION SEQUENCE



TEMPORARY EMERGENCY VEHICLE PREEMPTORS				
EMERGENCY VEHICLE PREEMPTOR	3	4	5	
MOVEMENT	↔	↓	↑	

I.D.O.T. TRAFFIC SIGNAL INSTALLATION ELECTRICAL SERVICE REQUIREMENTS					TOTAL WATTAGE
TYPE	NO. LAMPS	x WATTAGE		x % OPERATION	
		INCAND.	LED		
SIGNAL (RED)	12	135	17	0.50	102
(YELLOW)	12	135	25	0.25	75
(GREEN)	16	135	15	0.25	60
ARROW	8	135	12	0.10	10
PED. SIGNAL	0	90	25	1.00	0
CONTROLLER	1	100	100	1.00	100
ILLUM. SIGN		64		0.05	0
FLASHER	0			0.50	0
TOTAL =					347

ENERGY COSTS TO:
ILLINOIS DEPARTMENT OF TRANSPORTATION
201 W. CENTER COURT
SHALMBURG, IL 60196

ENERGY SUPPLY CONTACT: MS. LOIS HICKS
PHONE: (847) 816-5489
COMPANY: COMMONWEALTH EDISON COMPANY

FOUNDATION (DEPTH)	FT. (m)	CABLE SLACK	FT. (m)	VERTICAL	FT. (m)
TYPE A-POST	4 (1.2)	HANDHOLE	6.5 (2.0)	ALL FOUNDATIONS	3.5 (1.0)
C-CONTROLLER	4 (1.2)	DOUBLE HANDHOLE	13 (4.0)	MAST ARM (L) POLE	20+L-2=
E-MAST ARM POLE		SIGNAL POST	2 (4.0)		(6m+L-0.6m)=
24" (600 mm)	10 (3.0)	CONTROLLER CAB.	1 (0.5)	BRACKET MOUNTED	13 (4.0)
30" (750 mm)	15 (4.6)	FIBER OPTIC	13 (4.0)	PED. PUSHBUTTON	4 (1.2)
36" (900 mm)	15 (4.6)	ELECTRIC SERVICE	1 (0.5)	ELECTRIC SERVICE	13.5 (4.1)
		GROUND CABLE	1 (0.5)	SERVICE TO GROUND	13.5 (4.1)
				POST MOUNTED	6 (1.8)

TEMPORARY CABLE DIAGRAM LEGEND

- [R] TEMPORARY TRAFFIC SIGNAL SECTION OR PEDESTRIAN SIGNAL SECTION, 12"
- [X] TEMPORARY CONTROLLER CABINET
- [] TEMPORARY SERVICE INSTALLATION
- (5) INDICATES NUMBER OF CONDUCTORS IN CABLE. ALL CONDUCTORS TO BE NUMBER 14 AWG WIRE UNLESS OTHERWISE NOTED.
- ▶ EMERGENCY VEHICLE LIGHT DETECTOR
- ▶ CONFIRMATION BEACON
- [V] VIDEO DETECTOR
- [] TEMPORARY UPS
- [] RADIO INTERCONNECT ANTENNA

REVISIONS	
NAME	DATE

ILLINOIS DEPARTMENT OF TRANSPORTATION

TEMPORARY TRAFFIC SIGNAL CABLE PLAN

PHASE DESIGNATION DIAGRAM

U.S. ROUTE 45 & GAGES LAKE ROAD STAGES I, II, AND III

HORIZ. 0 10

SCALE IN FEET

DATE 12/14/09
DRAWN BY MB/AJP
CHECKED BY KMM



12/14/09 - g:\401-2000\0005302\cd\shsh\Temp\cableplan_100.sht