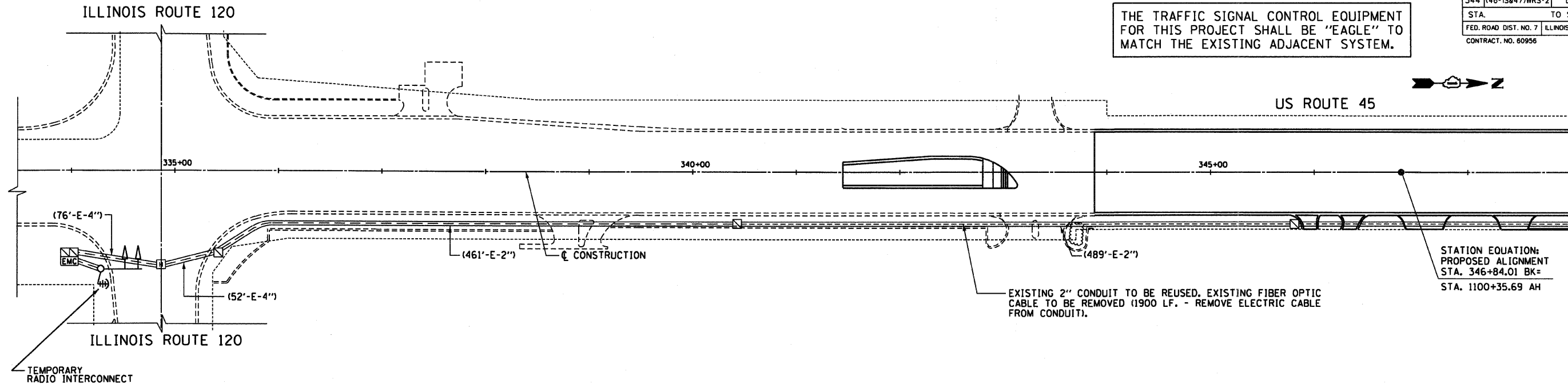


RTE	SECTION	COUNTY	TOTAL SHEETS	SHEET NO
344	(46-1S&47)WRS-2	LAKE	234	152
STA. TO STA.		FED. ROAD DIST. NO. 7 ILLINOIS FED. AID PROJECT		
CONTRACT NO. 60956				

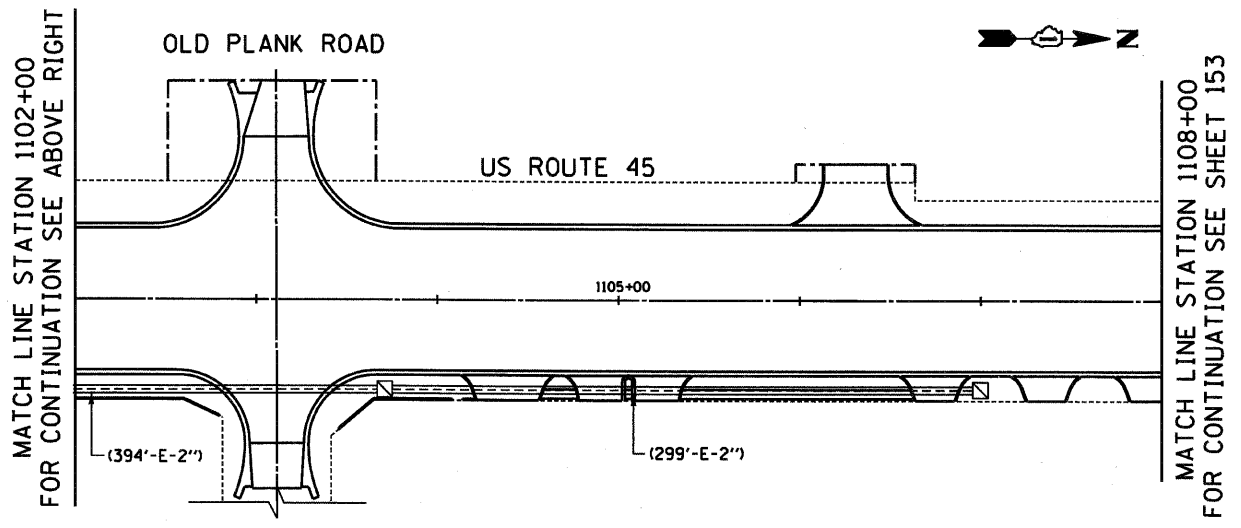
THE TRAFFIC SIGNAL CONTROL EQUIPMENT FOR THIS PROJECT SHALL BE "EAGLE" TO MATCH THE EXISTING ADJACENT SYSTEM.



STATION EQUATION:
PROPOSED ALIGNMENT
STA. 346+84.01 BK=
STA. 1100+35.69 AH

EXISTING 2" CONDUIT TO BE REUSED, EXISTING FIBER OPTIC CABLE TO BE REMOVED (1900 LF. - REMOVE ELECTRIC CABLE FROM CONDUIT).

MATCH LINE STATION 1102+00
FOR CONTINUATION SEE BELOW LEFT



MATCH LINE STATION 1102+00
FOR CONTINUATION SEE ABOVE RIGHT

MATCH LINE STATION 1108+00
FOR CONTINUATION SEE SHEET I53

INTERCONNECT PLAN LEGEND

	PROPOSED	EXISTING
CONTROLLER		
MASTER CONTROLLER		
HANDHOLE		
HEAVY DUTY HANDHOLE		
DOUBLE HANDHOLE		
G.S. CONDUIT IN TRENCH OR PUSHED		
DETECTOR LOOP		
COMMON TRENCH	CT	
UNIT DUCT	UD	
SYSTEM	S	
INTERSECTION	IP	I
WOOD POLE		
EXISTING HANDHOLE TO BE REMOVED		
RADIO INTERCONNECT ANTENNA		

REVISIONS	
NAME	DATE

ILLINOIS DEPARTMENT OF TRANSPORTATION
TEMPORARY TRAFFIC SIGNAL SYSTEM INTERCONNECT PLAN
U.S. ROUTE 45
STATION 334+00 TO STATION 1108+00

HORIZ. 50 0 50
SCALE IN FEET

DATE 12/14/09
DRAWN BY MB/AJP
CHECKED BY KMM

