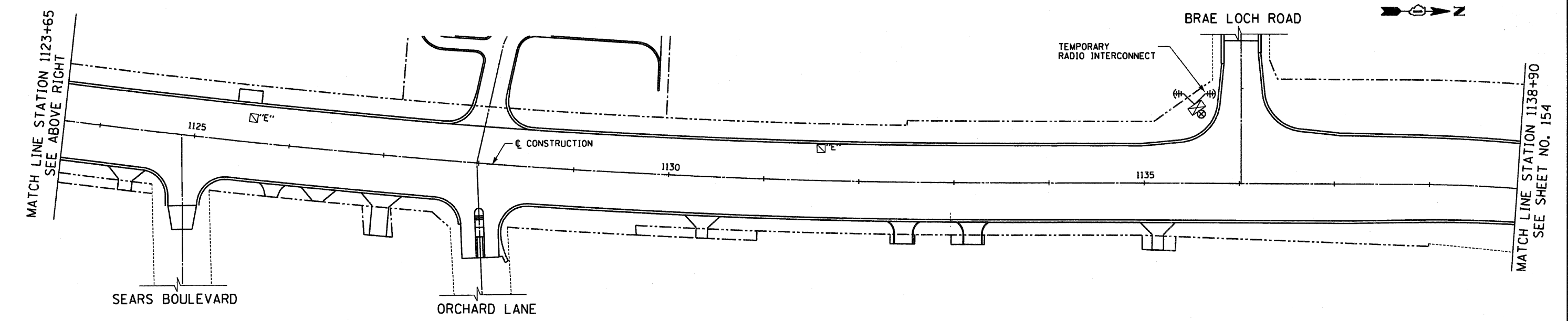
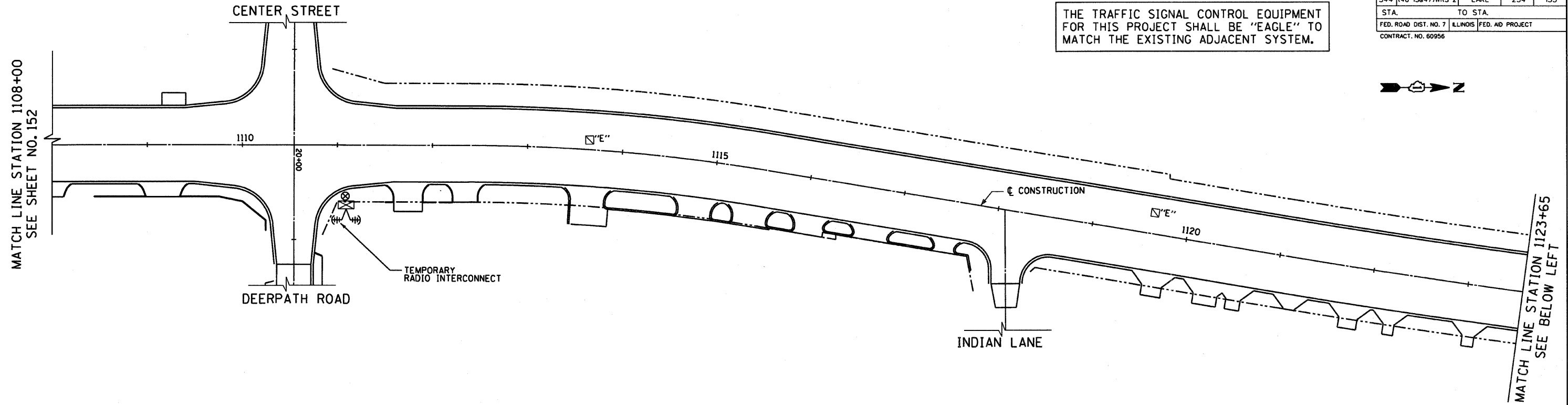


RTE	SECTION	COUNTY	TOTAL SHEETS	SHEET NO.
344	(46-1S&47)WRS-2	LAKE	234	153
STA.	TO STA.			
FED. ROAD DIST. NO. 7	ILLINOIS FED. AID PROJECT			
CONTRACT NO. 60956				

THE TRAFFIC SIGNAL CONTROL EQUIPMENT FOR THIS PROJECT SHALL BE "EAGLE" TO MATCH THE EXISTING ADJACENT SYSTEM.



INTERCONNECT PLAN LEGEND

	PROPOSED	EXISTING
CONTROLLER		
HANDHOLE		
HEAVY DUTY HANDHOLE		
DOUBLE HANDHOLE		
G.S. CONDUIT IN TRENCH OR PUSHED		
DETECTOR LOOP		
COMMON TRENCH	CT	
UNIT DUCT	UD	
SYSTEM	S	
INTERSECTION	IP	
WOOD POLE		
EXISTING HANDHOLE TO BE REMOVED		
RADIO INTERCONNECT ANTENNA		

REVISIONS	
NAME	DATE

ILLINOIS DEPARTMENT OF TRANSPORTATION
TEMPORARY TRAFFIC SIGNAL SYSTEM INTERCONNECT PLAN
 U.S. ROUTE 45
 STATION 1108+00 TO STATION 1138+90

HORIZ. 50 0 50
 SCALE IN FEET

DATE 12/14/09
 DRAWN BY MB/AJP
 CHECKED BY KMM



12/14/09 g:\401\2000\0005302\cadd\SHAHY\interconnect_109.dwg