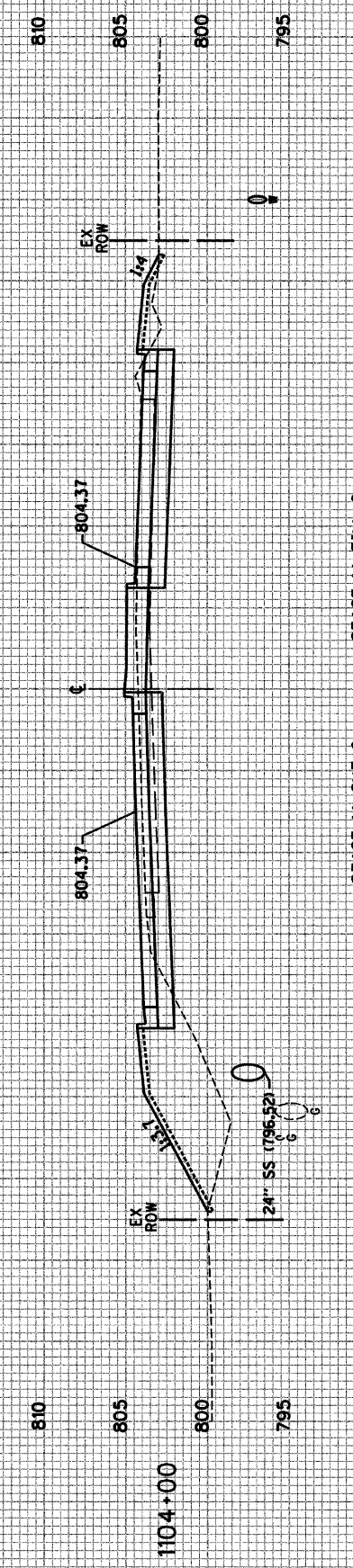
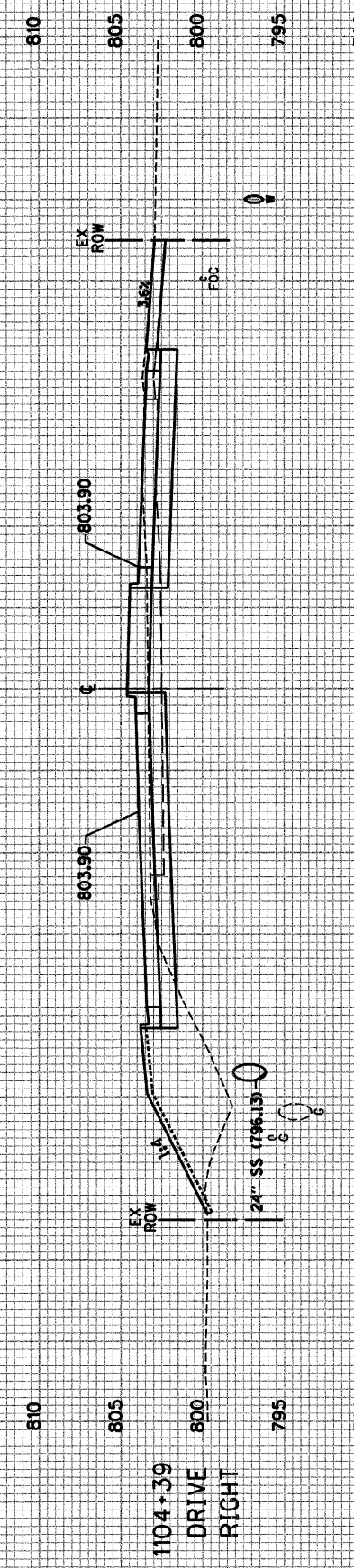
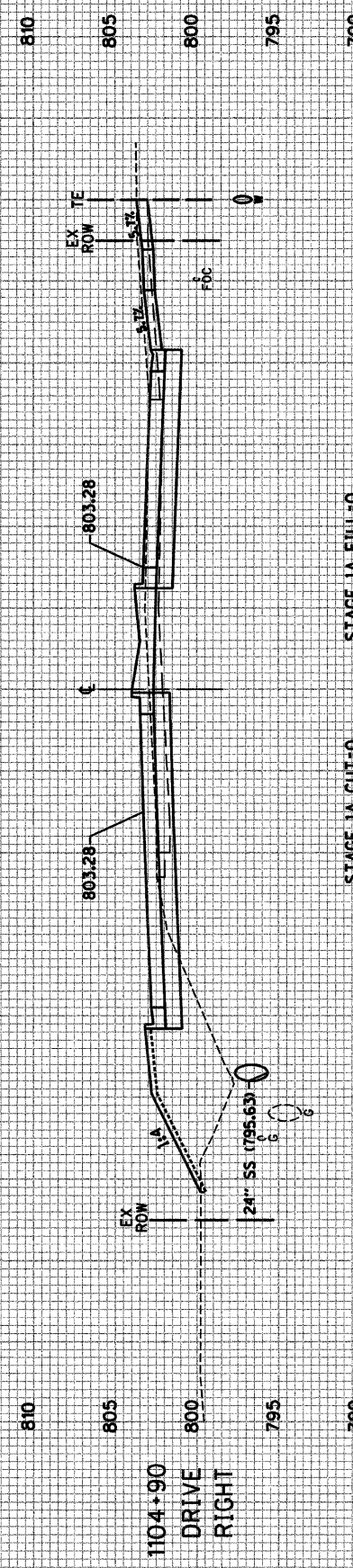
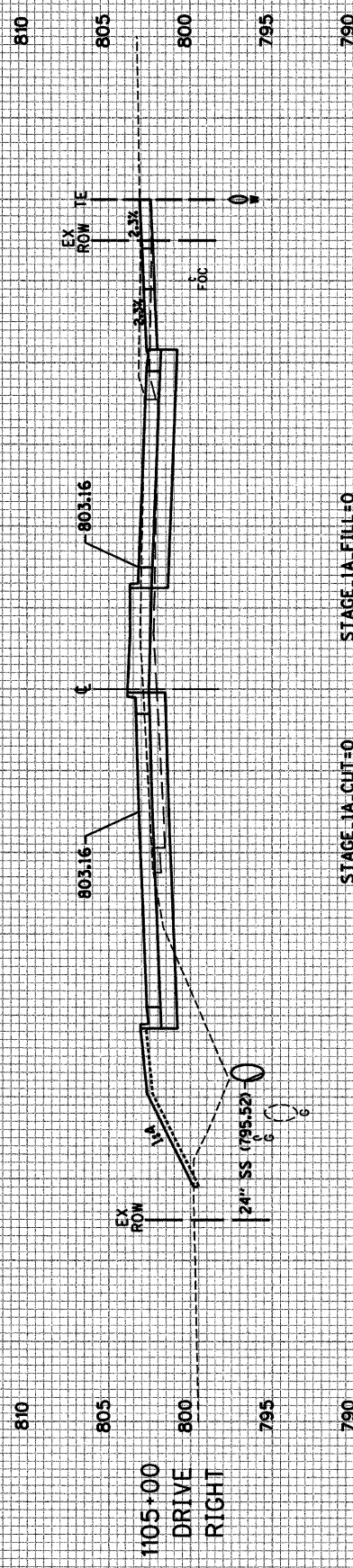
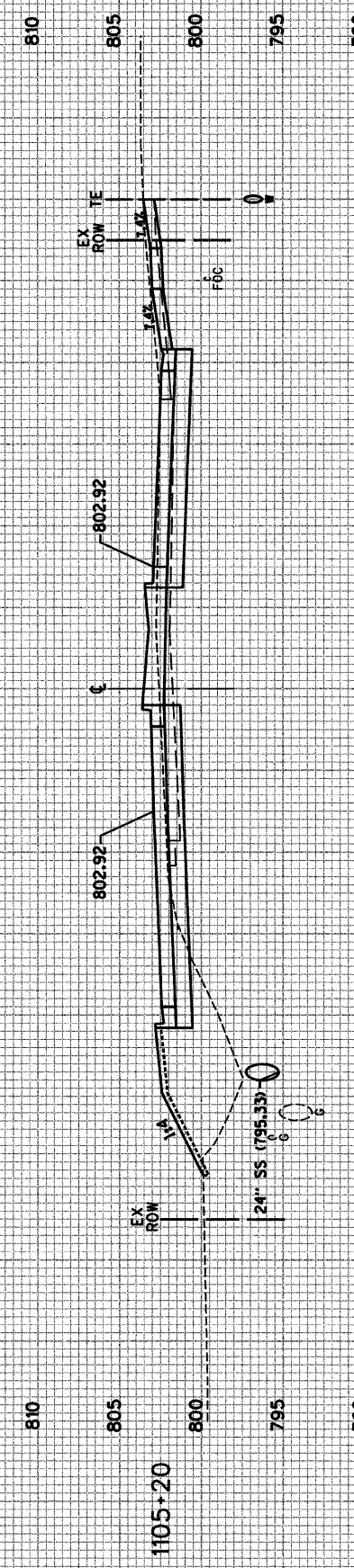


REVISIONS	DATE	F.A.P. RT.	SECTION	COUNTY	TOTAL SHEETS	SHEET NO.
		344	(46-1S&47)WRS-2	LAKE	234	193
				STA. 1104+00 TO STA. 1105+20		
				ILLINOIS	FED. AID PROJECT	



80 70 60 50 40 30 20 10 0 10 20 30 40 50 60 70

SCALE: 1" = 10' HORIZ.
1/4" = 1' VERT.