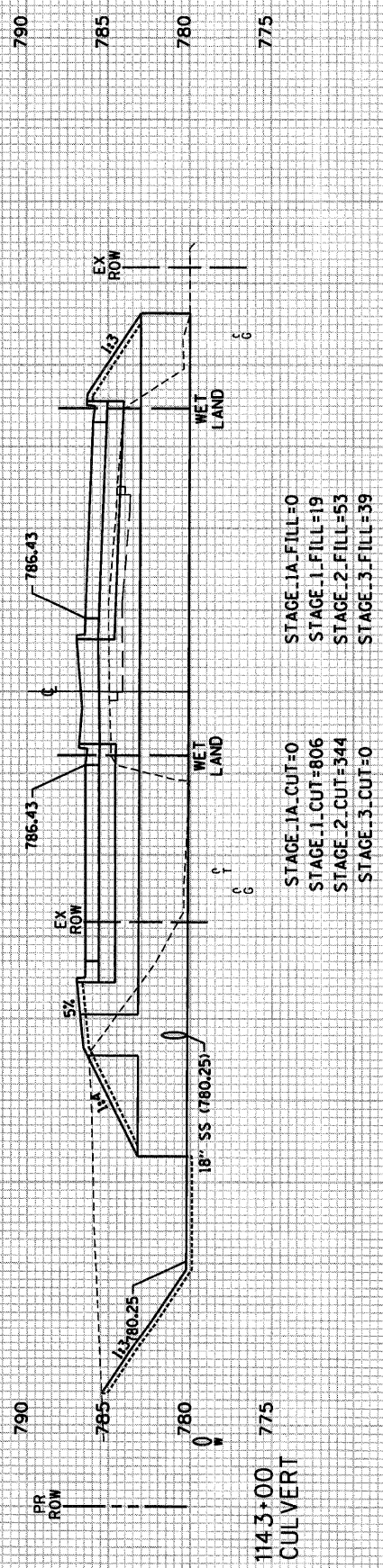
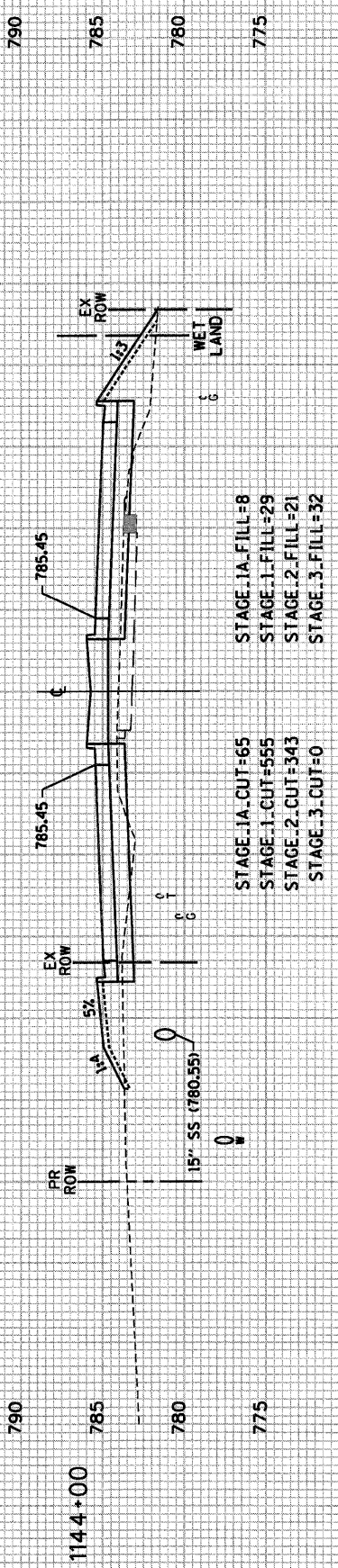
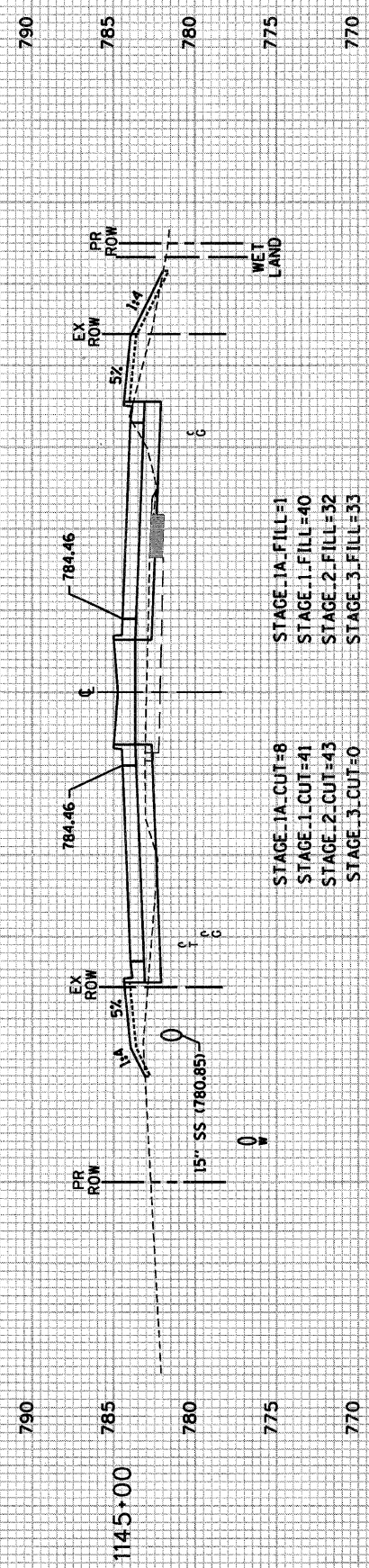
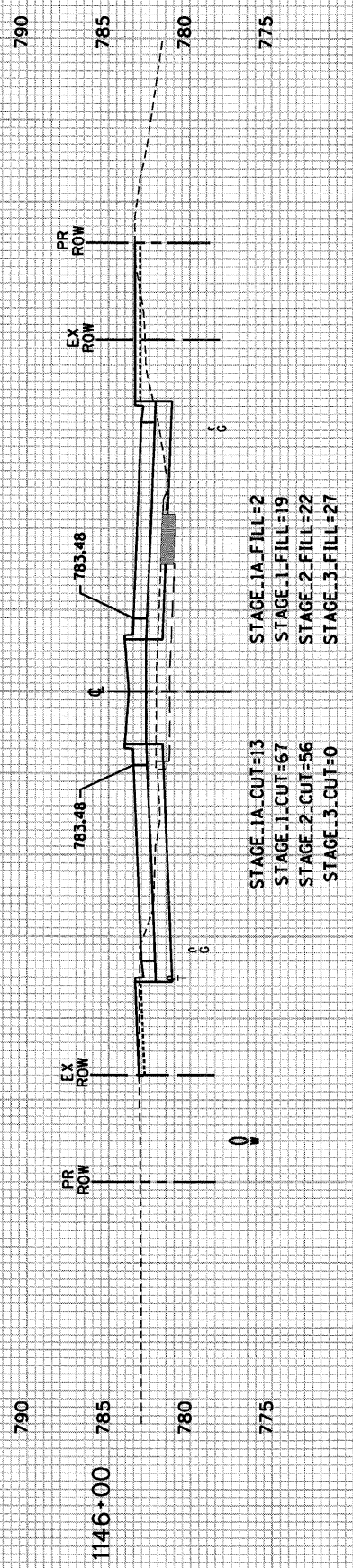
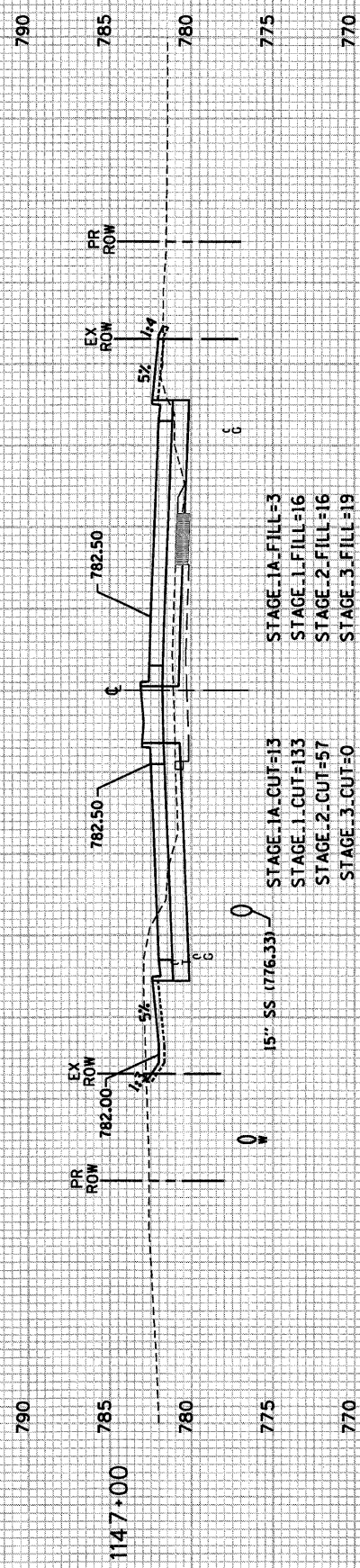


CONTRACT NO. 60956				
F.A.P. RT#	SECTION	COUNTY	TOTAL SHEETS	SHEET NO.
344	(46-15847)WRS-2	LAKE	234	208
STA. 1143+00		TO STA. 1147+00		
FED. ROAD DIST. NO. 7		ILLINOIS	FED. AID PROJECT	



110 90 80 70 60 50 40 30 20 10 0 10 20 30 40 50 60 70

SCALE: 1" = 10' HORIZ.
1" = 5' VERT.