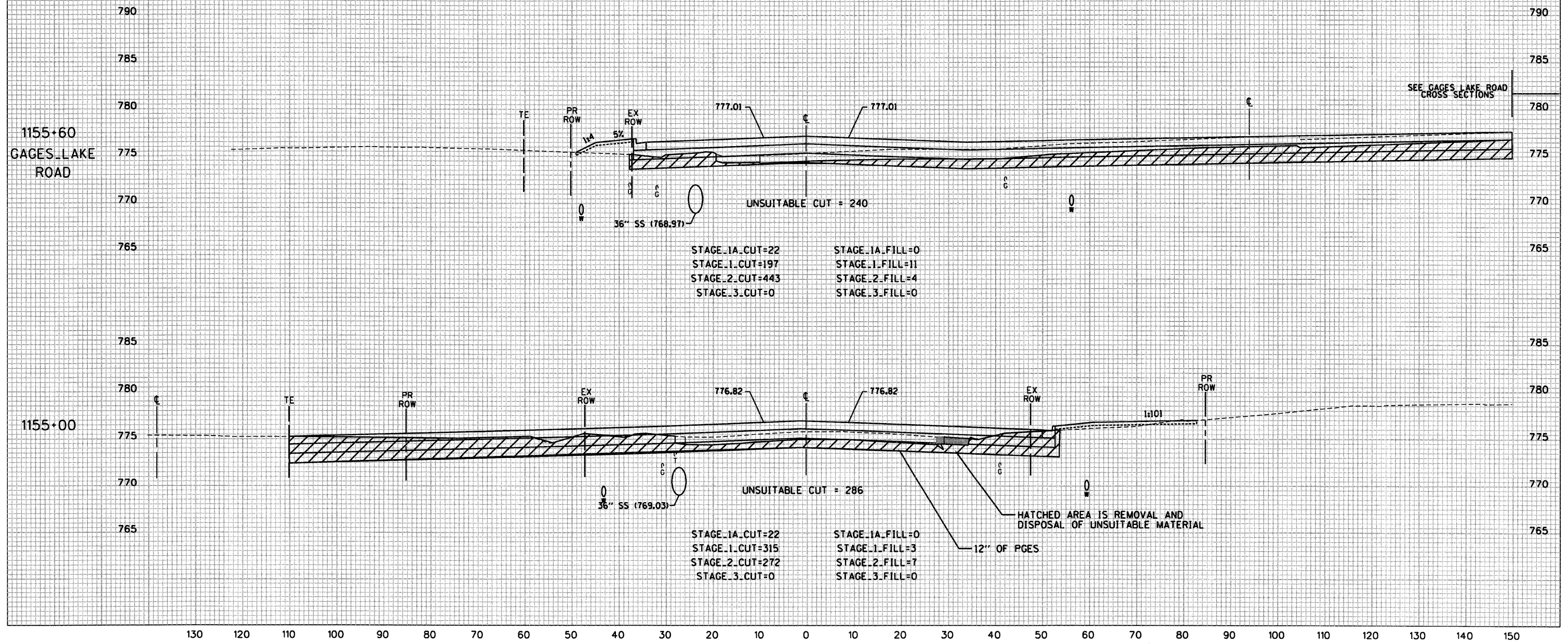


CONTRACT NO. 60956				
F.A.P. RTE	SECTION	COUNTY	TOTAL SHEETS	SHEET NO.
344	(46-15&47)WRS-2	LAKE	234	212
STA. 1155+00		TO STA. 1155+60		
FED. ROAD DIST. NO. 7		ILLINOIS	FED. AID PROJECT	



SCALE: 1" = 10' HORIZ

U.S. ROUTE 45