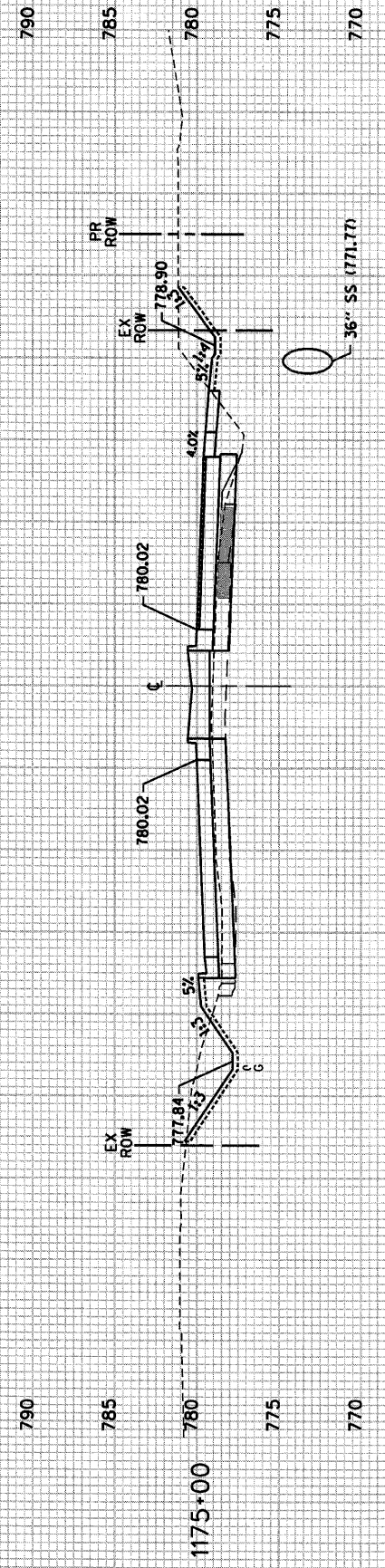
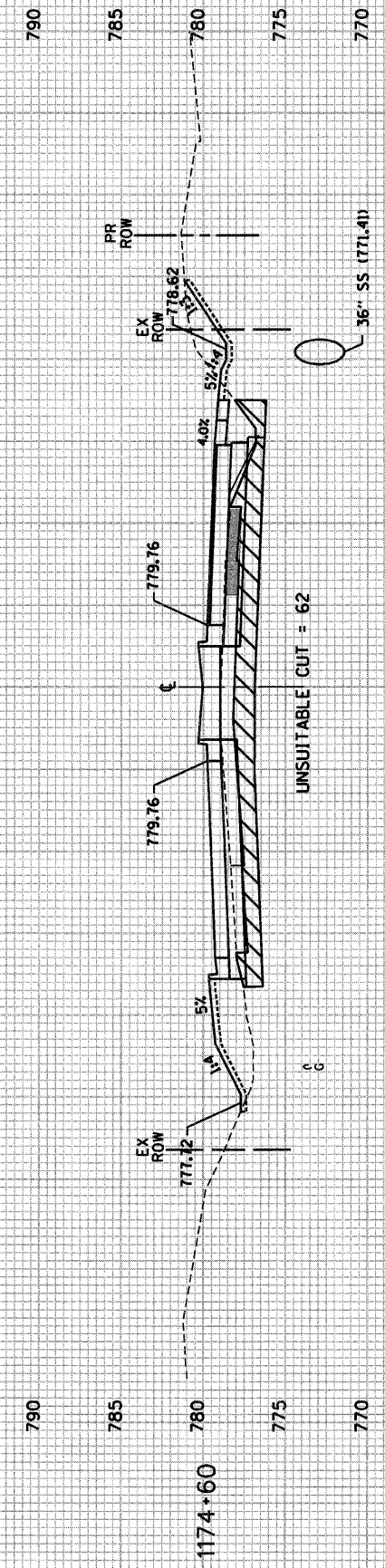


F.A.P. RTE	SECTION	COUNTY	TOTAL SHEETS	SHEET NO.
344	(46-15847)WRS-2	LAKE	234	219
STA 1174+00		TO STA. 1175+00		
FED. ROAD DIST. NO. 7		ILLINOIS	FED. AID PROJECT	

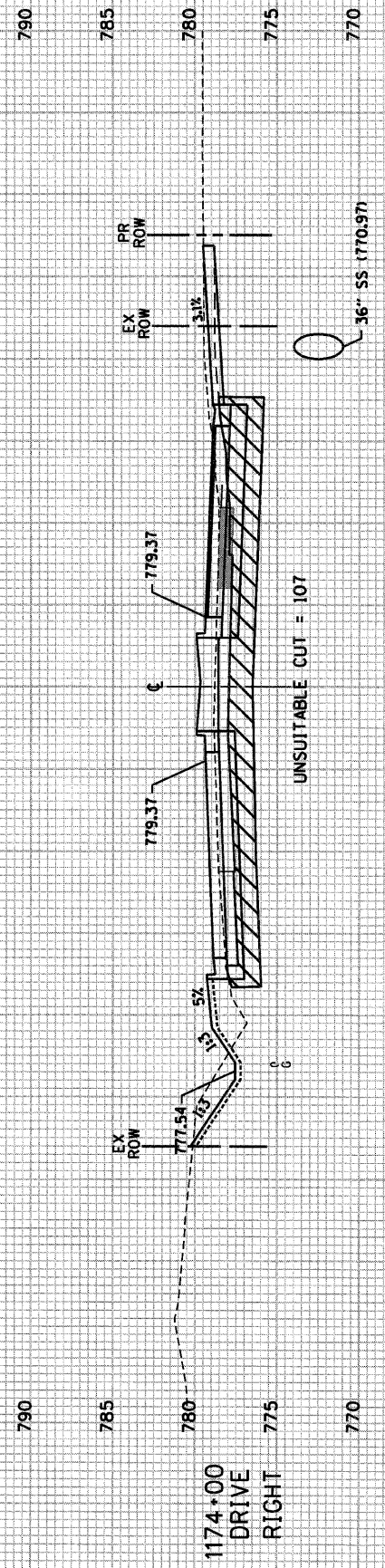


STAGE_1A_CUT=8
 STAGE_1_CUT=81
 STAGE_2_CUT=77
 STAGE_3_CUT=0
 STAGE_1A_FILL=4
 STAGE_1_FILL=16
 STAGE_2_FILL=4
 STAGE_3_FILL=19



STAGE_1A_CUT=9
 STAGE_1_CUT=128
 STAGE_2_CUT=135
 STAGE_3_CUT=0
 STAGE_1A_FILL=4
 STAGE_1_FILL=32
 STAGE_2_FILL=4
 STAGE_3_FILL=50

UNSUITABLE CUT = 62



STAGE_1A_CUT=12
 STAGE_1_CUT=240
 STAGE_2_CUT=203
 STAGE_3_CUT=0
 STAGE_1A_FILL=12
 STAGE_1_FILL=24
 STAGE_2_FILL=30
 STAGE_3_FILL=42

UNSUITABLE CUT = 107