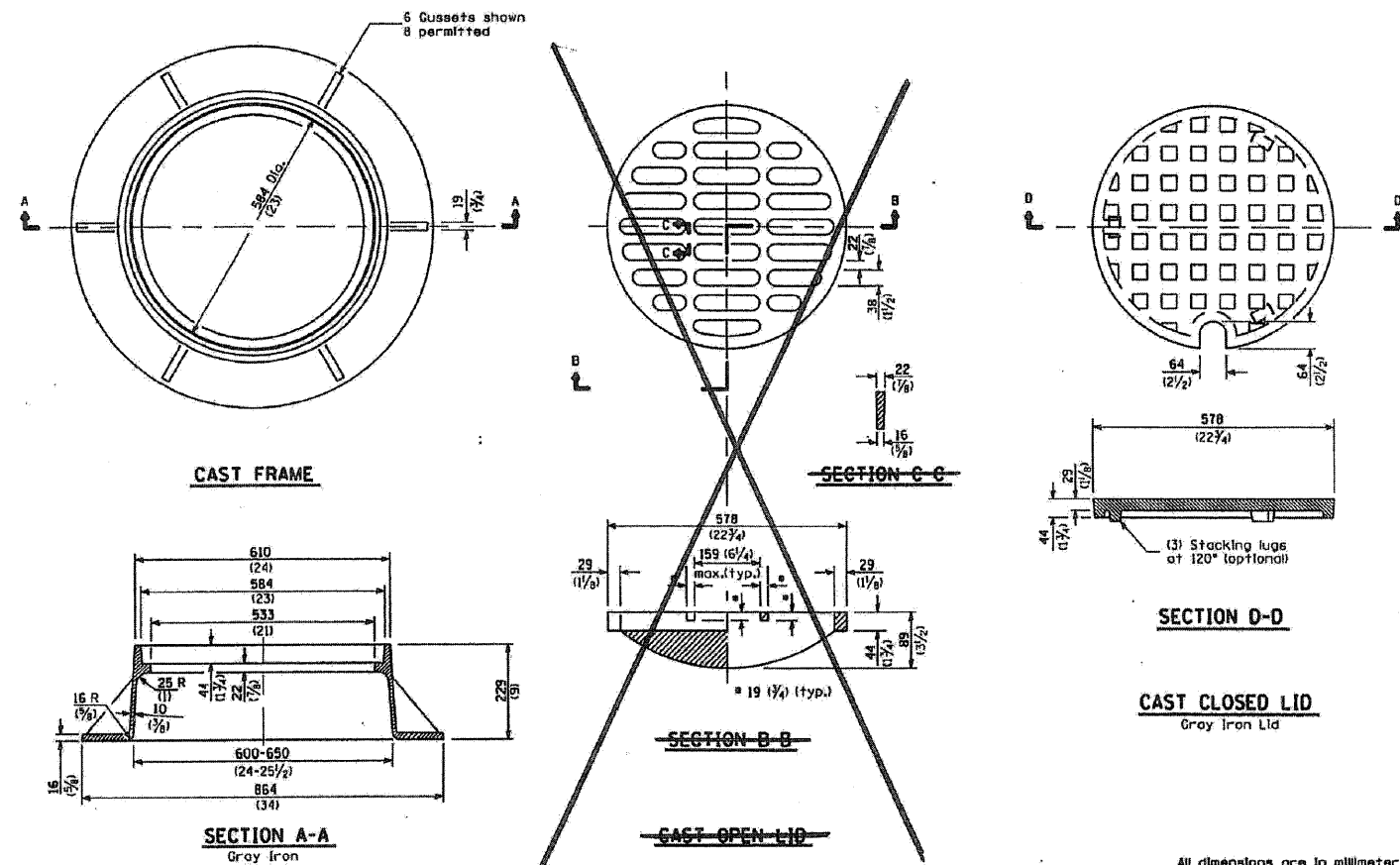


**CASTING ADJUSTMENT**

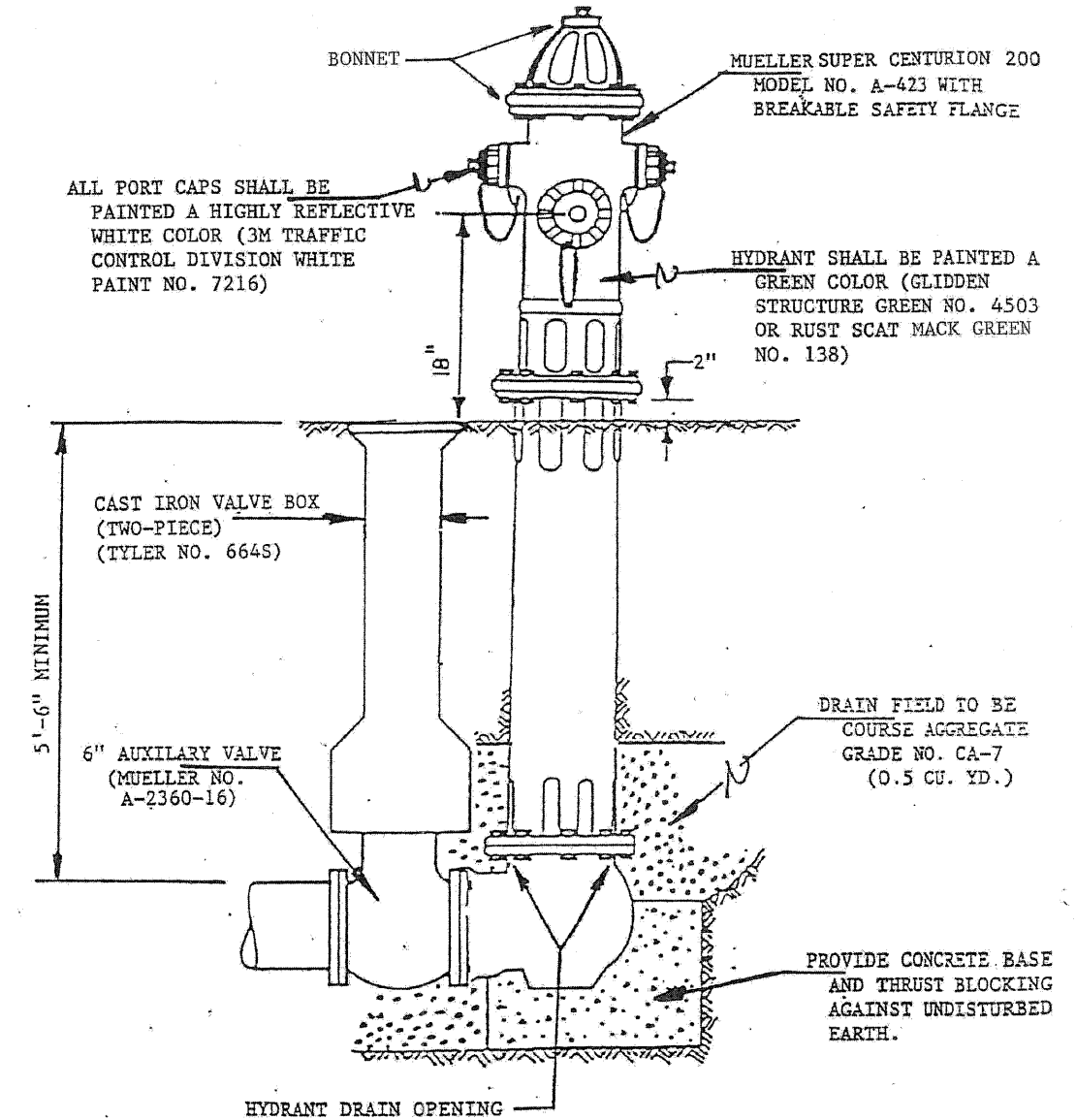
THE BONNET SHALL BE PAINTED THE COLOR SHOWN BELOW WHICH DEPICTS THE SIZE OF THE ADJACENT/CONNECTED WATER MAIN:

WATER MAIN SIZE	BONNET COLOR	PAINT SPECIFICATION
6 INCH	RED	GLIDDEN CO. PAINT NO. 4520, SAFETY RED ALKYD GLOSS ENAMEL
8 INCH	YELLOW	GLIDDEN CO. PAINT NO. 4540, SAFETY YELLOW ALKYD GLOSS ENAMEL
10 INCH	GREEN	GLIDDEN CO. PAINT NO. 4503, STRUCTURE GREEN OR RUST SCAT MACK GREEN NO. 138
12 INCH	BLUE	GLIDDEN CO. PAINT NO. 4580, SAFETY BLUE ALKYD DEEP TINT BASE
16 INCH	BROWN	GLIDDEN CO. PAINT NO. 4537, SAFETY BROWN ALKYD GLOSS ENAMEL



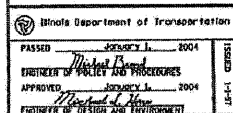
**"SANITARY" or "STORM" or "WATER" on lid**

DATE	REVISIONS	FRAME AND LIDS TYPE 1
1-1-04	Removed weights.	STANDARD 604001-02
1-1-02	Changed wall thickness from 3/8 to 1/2.	



**HYDRANT DETAILS**

NOTE; CONCRETE BASE AND BLOCKING MATERIAL SHALL NOT BLOCK NOR OBSTRUCT HYDRANT DRAIN.



FILE NAME = g:\ch7\8261\road\sheet\DI60D12-SHT-WM	USER NAME = BAW,tort	DESIGNED - CRH	REVISED -
STD.dgn		DRAWN - CRH	REVISED -
PLOT SCALE = 50.0000' / IN.		CHECKED - DWB	REVISED -
PLOT DATE = 8/5/2009		DATE - 07/24/2009	REVISED -

STATE OF ILLINOIS  
DEPARTMENT OF TRANSPORTATION

WATER MAIN DETAILS

F.A. RTE.	SECTION	COUNTY	TOTAL SHEETS	SHEET NO.
1453	55WRS	DuPAGE	362	127
CONTRACT NO. 60D12				

SCALE: NONE SHEET NO. 127 OF 362 SHEETS

FED. ROAD DIST. NO. 7 ILLINOIS FED. AID PROJECT