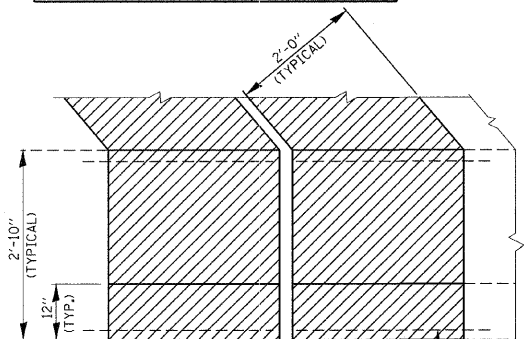
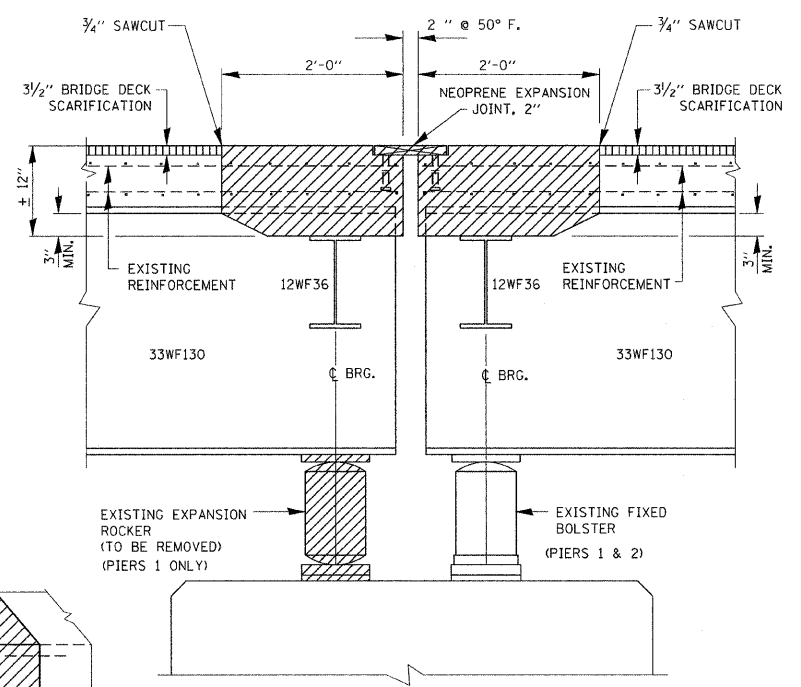
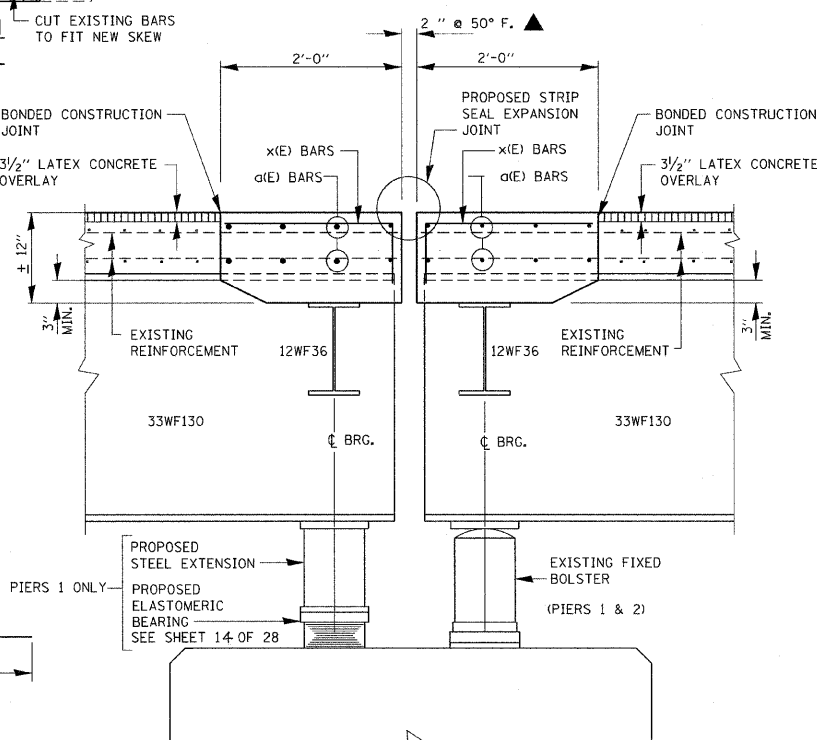


**2 PIERS  
BILL OF MATERIALS**

BAR	NO.	SIZE	LENGTH	SHARE	
c(E)	64	#5	22'-9"		
c(E)	36	#4	3'-0"		
c(E)	44	#4	4'-8"		
x(E)	164	#5	2'-6"		
REINFORCEMENT BARS (EPOXY COATED)				POUND	2160
CONCRETE REMOVAL				CU.YD.	43.1
CONCRETE SUPERSTRUCTURE				CU.YD.	43.1
BAR SPLICERS				EACH	32

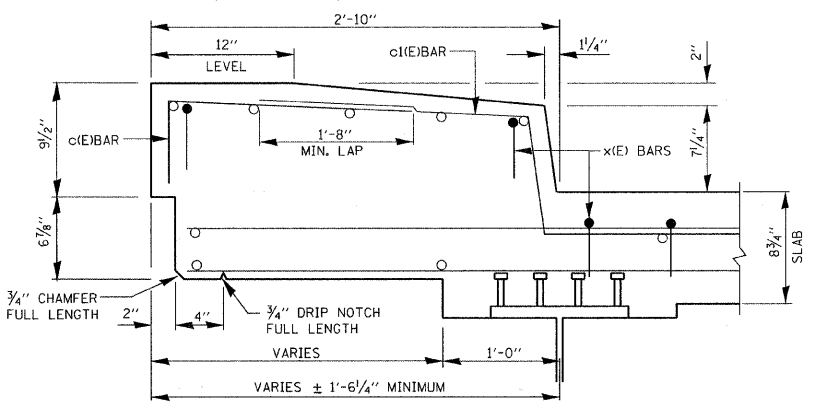


**EXPANSION JOINT PLAN  
PIERS 1 & 2  
(EXISTING)**

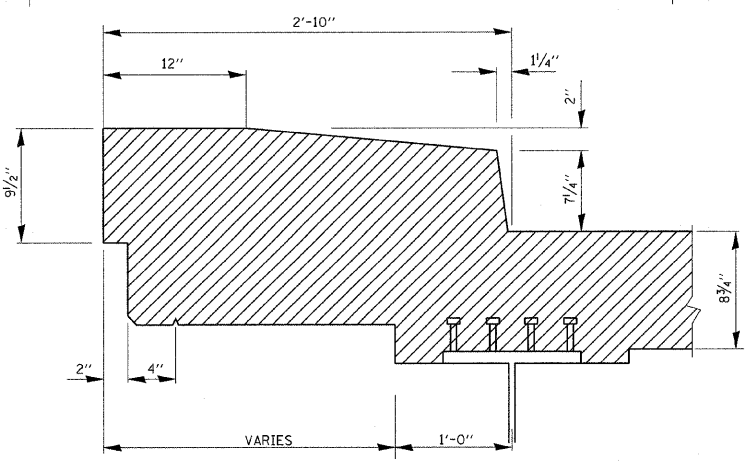


**SECTION A-A  
(PROPOSED)**

**EXPANSION JOINT PLAN  
AT PIERS 1 AND 2  
(PROPOSED)**



**SECTION B-B  
(PROPOSED)**



**SECTION B-B  
(EXISTING)**

▲ DIMENSIONS ARE BASED ON A ROLLED RAIL STRIP SEAL JOINT. IF THE CONTRACTOR ELECTS TO USE THE WELDED RAIL STRIP SEAL JOINT, DECK DIMENSIONS MAY REQUIRE ADJUSTMENTS TO SATISFY THE DETAILS ON BASE SHEET EJ-SSJ.

**LEGEND:**  
 HATCHED AREA INDICATES CONCRETE REMOVAL