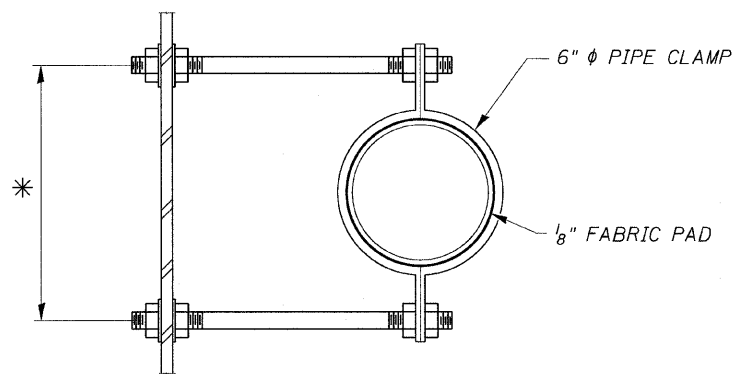
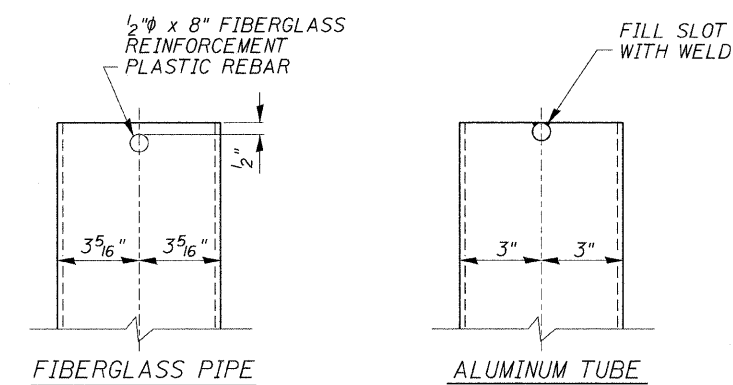


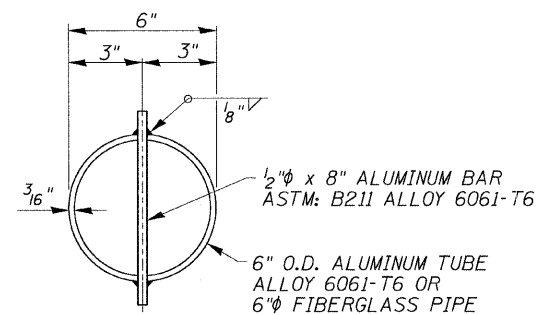
SECTION AT PARAPET
(TYPICAL)

NOTES:

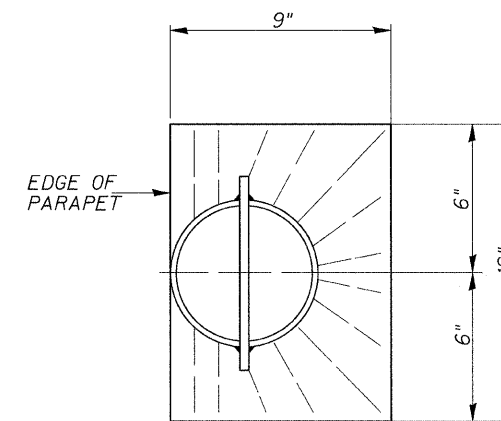
THE EXTERIOR SURFACES OF THE FLOOR DRAINS SHALL BE PAINTED WITH THE FINISH COAT AS SPECIFIED IN THE SPECIAL PROVISIONS FOR CLEANING AND PAINTING NEW METAL STRUCTURES. THE EXTERIOR SURFACES OF THE DRAINS SHALL BE CLEANED ACCORDING TO STEEL STRUCTURES PAINTING COUNCIL'S SPECIFICATIONS SSPC-SP PRIOR TOP PAINTING. FIBERGLASS PIPE SHALL CONFORM TO ASTM D 2996, WITH SHORT-TIME RUPTURE STRENGTH HOOP TENSILE STRESS OF 30,000 P.S.I. MINIMUM.



SECTION A-A
*DIMENSIONS AS REQUIRED BY PIPE CLAMP



TOP PLAN
(SHOWING ALUMINUM TUBE)



TOP PLAN

| | | | | | | | | | | | | |
|---|-----------------------|----------------|-----------|---|---|------------|---------|-------------|---------|--------|--------------|-----------|
| FILE NAME = | USER NAME = tujakosmv | DESIGNED - MVT | REVISED - | STATE OF ILLINOIS DEPARTMENT OF TRANSPORTATION | DECK DRAIN DETAILS S.N. 099-0171 | | | F.A.U. RTE. | SECTION | COUNTY | TOTAL SHEETS | SHEET NO. |
| c:\pw\work\p\1007\TINIAKOSMV\d0101671\09-0171.dgn | | DRAWN - MVT | REVISED - | | 0327 | 112 BR-I-1 | WILL | 28 | 8 | | | |
| PLOT SCALE = 50.0000' / IN. | | CHECKED - RB | REVISED - | | CONTRACT NO. 60H86 | | | | | | | |
| PLOT DATE = 3/16/2018 | | DATE - | REVISED - | | ILLINOIS FED. AID PROJECT | | | | | | | |
| | | | | SCALE: | SHEET NO. 5 OF 8 SHEETS | STA. | TO STA. | | | | | |