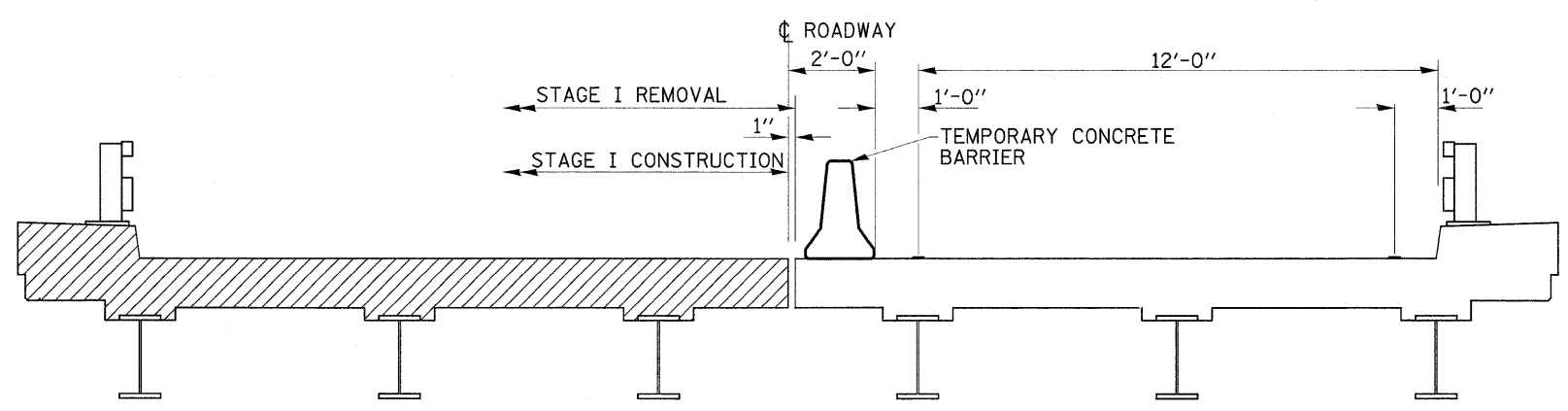
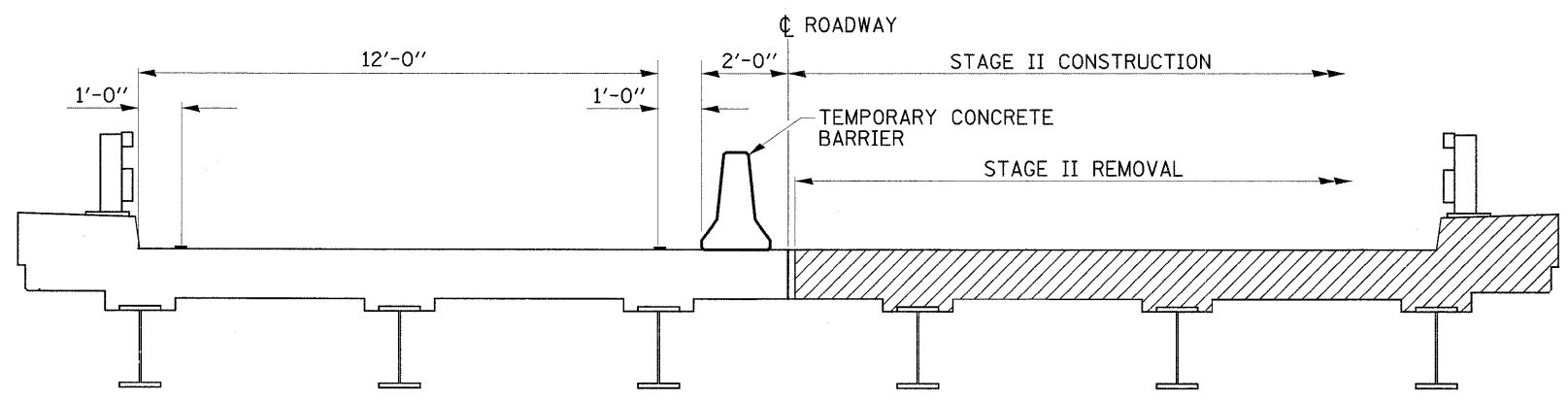


**EXISTING CROSS SECTION**



**STAGE I**



**STAGE II**

**ALL VIEWS LOOKING EAST**

FILE NAME =	USER NAME = mdjjs
c:\pw_work\pwsdot\mdjjs\d0181051\018220	shht-plan.cgn
PLOT SCALE = 50.0000' / IN.	
PLOT DATE = 2/18/2010	

DESIGNED -	REVISED -
DRAWN -	REVISED -
CHECKED -	REVISED -
DATE -	REVISED -

**STATE OF ILLINOIS  
DEPARTMENT OF TRANSPORTATION**

**IL 113 (RIVER STREET) OVER HORSE CREEK  
SUGGESTED STAGES OF CONSTRUCTION  
S.N. 099-0171**

SCALE: SHEET NO. 1 OF 4 SHEETS STA. TO STA.

F.A.U. RTE.	SECTION	COUNTY	TOTAL SHEETS	SHEET NO.
0327	112 BR-I-1	WILL	28	15
CONTRACT NO. 60H86				
ILLINOIS FED. AID PROJECT				