

Benchmark : None

Existing Structure: S.N. 045-5000 built in 1988 as a three span concrete deck bridge on closed abutments and 2 piers on pile footings. The structure measures 53'-10 1/4" back to back abutments and 60'-3" out to out. Traffic is to be maintained utilizing stage construction.

Salvage: None

STATE OF ILLINOIS  
DEPARTMENT OF TRANSPORTATION

GENERAL NOTES

Plan dimensions and details relative to existing plans are subject to nominal construction variations. The Contractor shall field verify existing dimensions and details affecting new construction and make necessary approved adjustments prior to construction or ordering of materials. Such variations shall not be cause for additional compensation for a change in scope of the work, however, the Contractor will be paid for the quantity actually furnished at the unit price bid for the work.

Sidewalk shall be cleaned prior to application of protective coat on sidewalk and Parapet. Cost included with Protective Coat.

Deck drains shall be cleaned prior to placement of overlay. Cost included with Bridge Deck Thin Polymer Overlay 3/8".

The Contractor shall be responsible for maintaining the stability and structural integrity of the existing structure, in accordance with the project specifications.

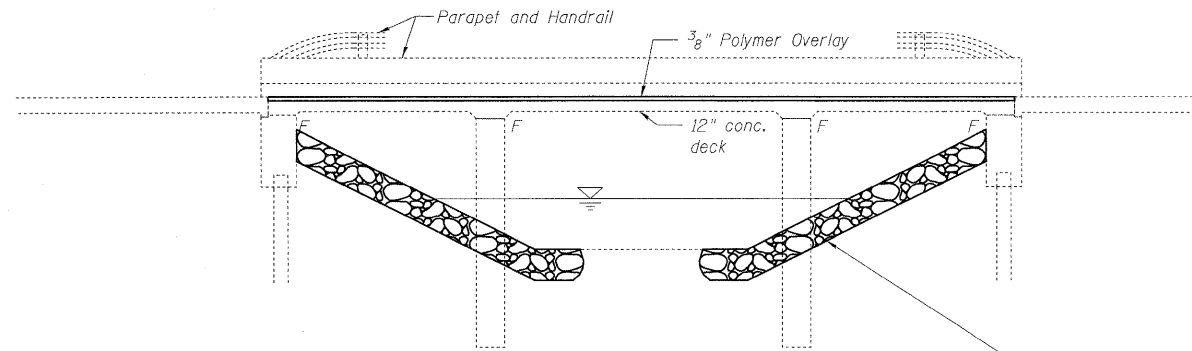
DESIGN SPECIFICATIONS

2002 AASHTO Standard Specifications for Highway Bridges, 17th Edition

DESIGN STRESSES

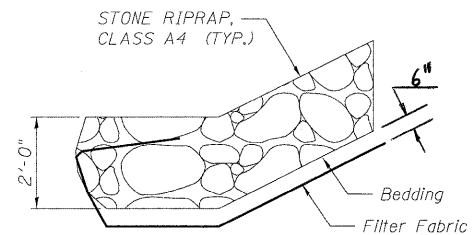
FIELD UNITS

f'c = 3,500 psi  
f'c = 5000 psi (Concrete Wearing Surface)  
fy = 60000 psi (Reinforcement)

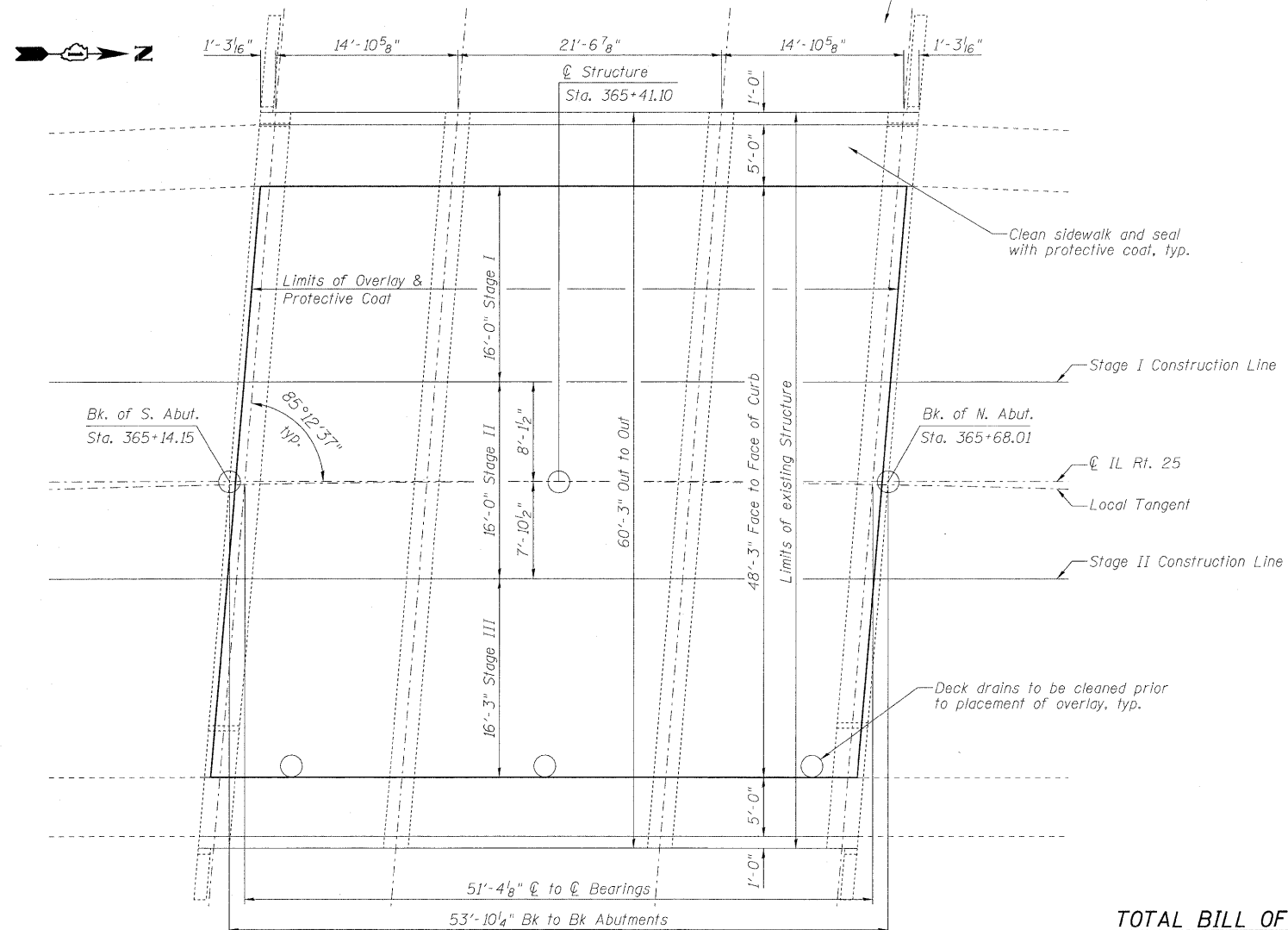


ELEVATION

Add dumped rip rap and filter fabric to areas in spans 1 & 3 at west side of bridge. Location to be determined by Engineer in the field, typ.



SECTION THRU RIPRAP

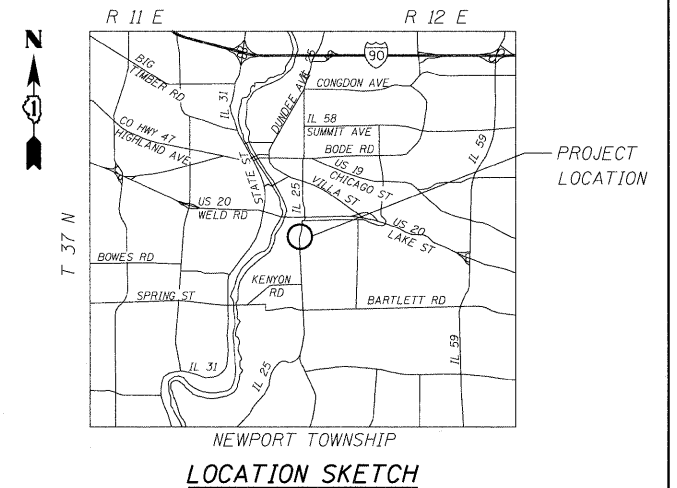


PLAN

INDEX OF SHEETS

1. General Plan and Elevation
2. Stage Construction Details 1 of 2
3. Stage Construction Details 2 of 2
4. Temporary Concrete Barrier Details

*W. J. ...*  
081-005150  
Exp. 11/30/10



GENERAL PLAN AND ELEVATION  
IL RT 25 OVER POPLAR CREEK  
F.A.P RT. 360  
SECTION 49 B-1  
KANE COUNTY  
STA. 365+41.10  
STRUCTURE NO. 045-5000

DESIGNED	-	SLV
CHECKED	-	DJB
DRAWN	-	SLV
CHECKED	-	DJB

**LOWCO, INC.**  
CONSULTING ENGINEERS  
1560 WALL ST, SUITE 222  
NAPERVILLE, ILLINOIS 60563 PH: (630) 577-9100

TOTAL BILL OF MATERIAL

ITEM	UNIT	SUPER	SUB	TOTAL
Stone Dumped RipRap, Class A4	Ton		50	50
Filter Fabric	Sq. Yd.		60	60
Protective Coat	Sq. Yd.	362		362
Concrete Bridge Deck Scarification (3/8")	Sq. Yd.	284		284
Bridge Deck Thin Polymer Overlay 3/8"	Sq. Yd.	284		284

SHEET NO. 1 OF 4 SHEETS	F.A.P. RTE.	SECTION	COUNTY	TOTAL SHEETS	SHEET NO.
	360	49 B-1	KANE	18	10
D-91-229-10			CONTRACT NO. 60J47		
FED. ROAD DIST. NO. ILLINOIS FED. AID PROJECT					