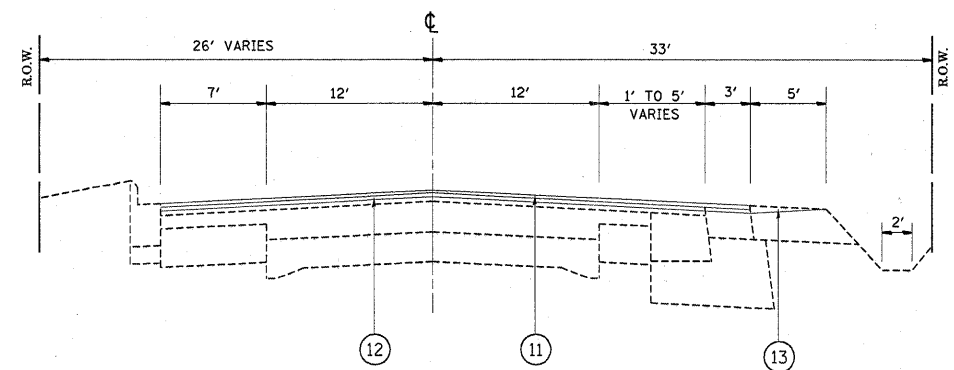
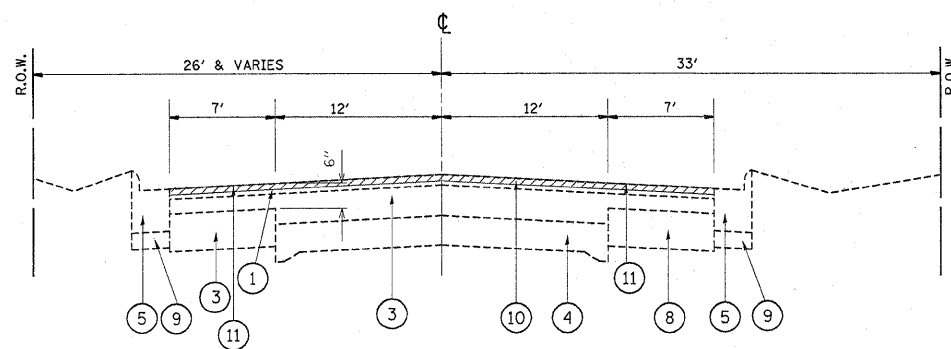


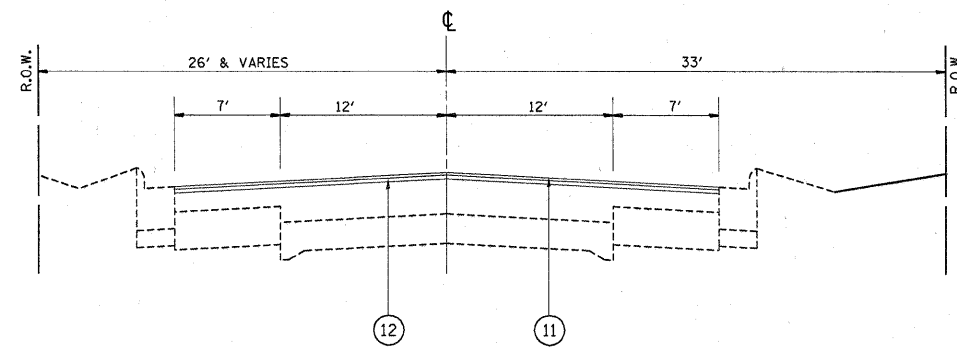
EXISTING TYPICAL SECTION  
ILLINOIS RTE. 59  
FROM STA. 105+00 TO 114+00



PROPOSED TYPICAL SECTION  
ILLINOIS RTE. 59  
FROM STA. 105+00 TO STA. 114+00



PROPOSED TYPICAL SECTION  
ILLINOIS RTE. 59  
FROM STA. 101+00 TO STA. 105+00



PROPOSED TYPICAL SECTION  
ILLINOIS RTE. 59  
FROM STA. 101+00 TO STA. 105+00

**LEGEND**

- ① EXIST. HMA SURFACE COURSE 2-1/2"
- ② EXIST. HMA PAVEMENT 3-1/2"
- ③ EXIST. HMA BASE COURSE WIDENING 9"
- ④ EXIST. P.C. CONCRETE PAVEMENT 9"
- ⑤ EXIST. COMB. CURB AND GUTTER, TY B-6.24
- ⑥ EXIST. AGGREGATE SHOULDER TY B
- ⑦ EXIST. HMA SHOULDER 8"
- ⑧ EXIST. AGGREGATE SUBGRADE
- ⑨ EXIST. SUBBASE GRANULAR MATERIAL
- ⑩ PROP. HMA SURFACE REMOVAL 2-1/4"
- ⑪ PROP. HMA SURFACE COURSE, MIX "D" N 70, 1-1/2"
- ⑫ PROP. POLYMERIZED LEVELING BINDER (MACHINE METHOD), IL-4.75, N 50, 3/4"
- ⑬ PROP. AGGREGATE WEDGE SHOULDER TYPE B

NOTE: CONTRACTOR SHALL MILL FIRST BEFORE PATCHING

FILE NAME =	USER NAME = byunsh	DESIGNED -	REVISED -
cs:\pw_work\p\dot\byunsh\d0180500\012411	sht-plan.dgn	DRAWN -	REVISED -
	PLOT SCALE = 50.0000' / IN.	CHECKED -	REVISED -
	PLOT DATE = 2/3/2010	DATE -	REVISED -

**STATE OF ILLINOIS  
DEPARTMENT OF TRANSPORTATION**

**ILLINOIS ROUTE 59  
EXISTING AND PROPOSED TYPICAL SECTIONS**

SCALE: SHEET NO. OF SHEETS STA. TO STA.

F.A.P. RTE.	SECTION	COUNTY	TOTAL SHEETS	SHEET NO.
104	106 RS-5	LAKE	31	5
CONTRACT NO. 60J51				
ILLINOIS FED. AID PROJECT				