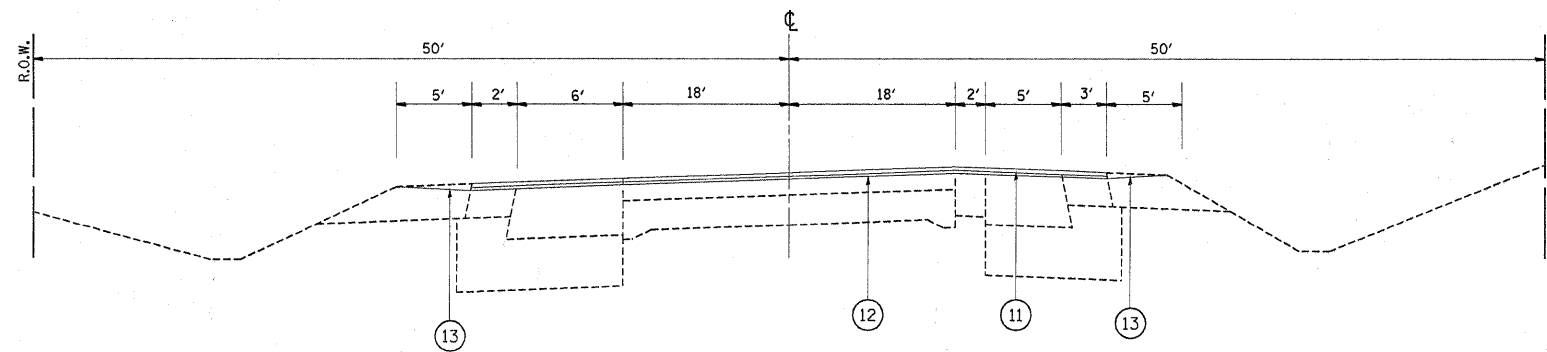


EXISTING TYPICAL SECTION
ILLINOIS RTE. 59
FROM STA. 79+00 TO STA. 94+00
FROM STA. 124+00 TO STA. 154+00



PROPOSED TYPICAL SECTION
ILLINOIS RTE. 59
FROM STA. 79+00 TO STA. 94+00
FROM STA. 124+00 TO STA. 154+00

LEGEND

- ① EXIST. HMA SURFACE COURSE 2-1/2"
- ② EXIST. HMA PAVEMENT 3-1/2"
- ③ EXIST. HMA BASE COURSE WIDENING 9"
- ④ EXIST. P.C. CONCRETE PAVEMENT 9"
- ⑤ EXIST. COMB. CURB AND GUTTER, TY B-6.24
- ⑥ EXIST. AGGREGATE SHOULDER TY B
- ⑦ EXIST. HMA SHOULDER 8"
- ⑧ EXIST. AGGREGATE SUBGRADE
- ⑨ EXIST. SUBBASE GRANULAR MATERIAL
- ⑩ PROP. HMA SURFACE REMOVAL 2-1/4"
- ⑪ PROP. HMA SURFACE COURSE, MIX "D" N 70, 1-1/2"
- ⑫ PROP. POLYMERIZED LEVELING BINDER (MACHINE METHOD), IL-4.75, N 50, 3/4"
- ⑬ PROP. AGGREGATE WEDGE SHOULDER TYPE B

NOTE: CONTRACTOR SHALL MILL FIRST BEFORE PATCHING

FILE NAME =	USER NAME = byunsh	DESIGNED -	REVISED -	STATE OF ILLINOIS DEPARTMENT OF TRANSPORTATION	ILLINOIS ROUTE 59 EXISTING AND PROPOSED TYPICAL SECTIONS			F.A.P. RTE.	SECTION	COUNTY	TOTAL SHEETS	SHEET NO.
ct\pw\work\pwt\dot\byunsh\ad\180500\0124110\sh-t-plen.dgn		DRAWN -	REVISED -		104	106 RS-5	LAKE	31	7			
PLOT SCALE = 50.0000' / IN.		CHECKED -	REVISED -					CONTRACT NO. 60J51				
PLOT DATE = 2/3/2010		DATE -	REVISED -		SCALE:	SHEET NO.	OF SHEETS	STA.	TO STA.	ILLINOIS FED. AID PROJECT		