

F.A.P. RTE.	SECTION	COUNTY	TOTAL SHEETS	SHEET NO.
104	106 RS-5	LAKE	31	1
		ILLINOIS	CONTRACT NO. 60J51	

STATE OF ILLINOIS
DEPARTMENT OF TRANSPORTATION
DIVISION OF HIGHWAYS

**PROPOSED
HIGHWAY PLANS**

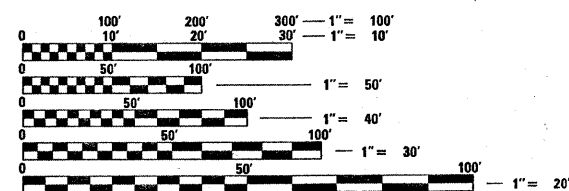
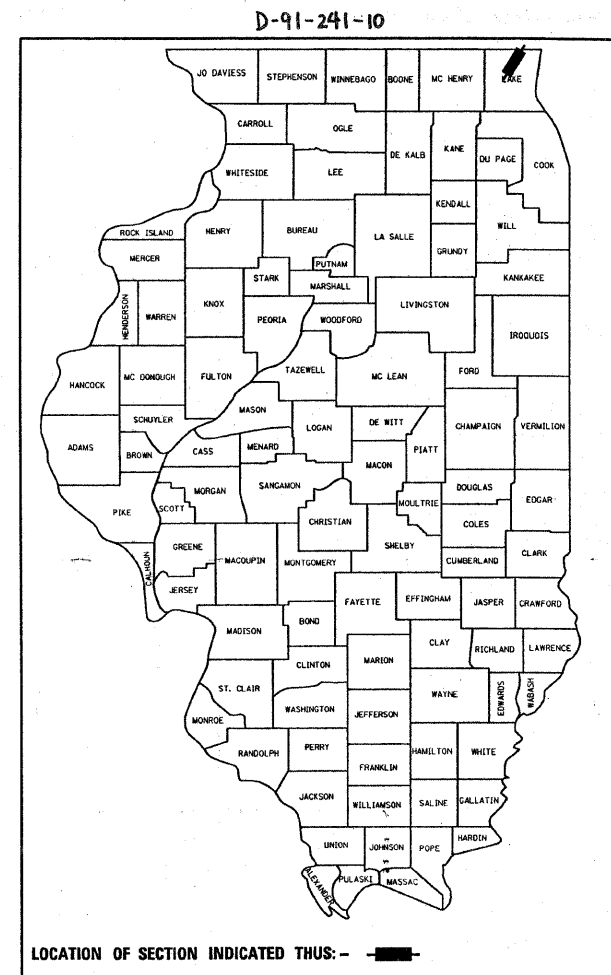
FAP ROUTE 104 / IL 59
SECTION 106 RS-5

US 12 TO GRAND AVENUE (IL 132)
RESURFACING
LAKE COUNTY
C-91-241-10

R 9 E

FOR INDEX OF SHEETS, SEE SHEET NO. 2

PROJECT IS LOCATED
IN THE VILLAGE OF FOX LAKE



FULL SIZE PLANS HAVE BEEN PREPARED USING STANDARD ENGINEERING SCALES. REDUCED SIZED PLANS WILL NOT CONFORM TO STANDARD SCALES. IN MAKING MEASUREMENTS ON REDUCED PLANS, THE ABOVE SCALES MAY BE USED.

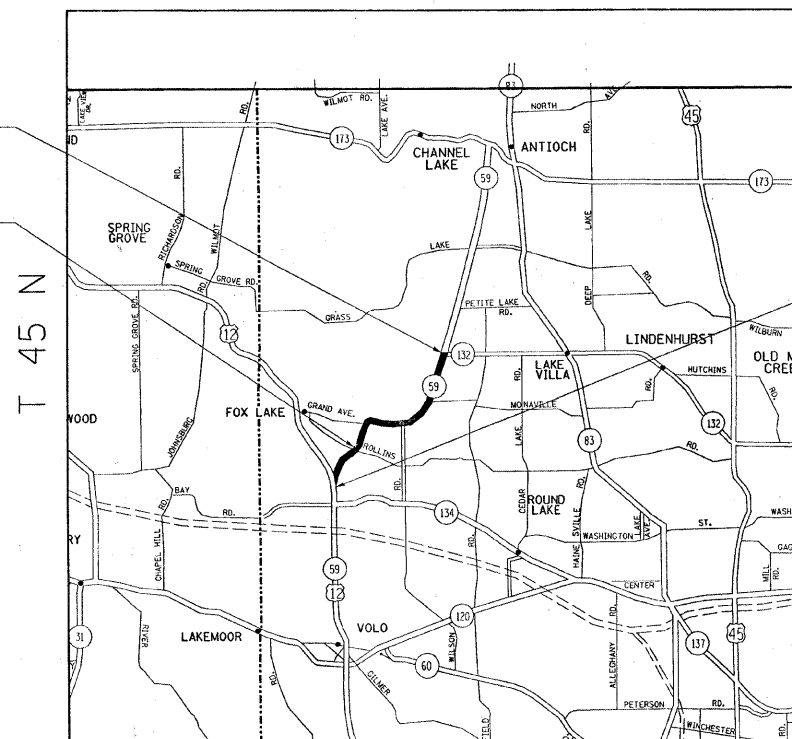
J.U.L.I.E.
JOINT UTILITY LOCATION INFORMATION FOR EXCAVATION
1-800-892-0123
OR 811

PROJECT ENGINEER: KARI SMITH (847)705-4437
PROJECT MANAGER: KEN ENG

CONTRACT NO. 60J51

PROJECT ENDS
STA 227+62.4

OMISSION:
FROM STA 44+84.4
TO STA 60+00



PROJECT BEGINS
EB STA 19+53.4
WB STA 19+64.2

TRAFFIC DATA
2006 ADT: 15,400
POSTED SPEED LIMIT: 45 MPH

GRANT TOWNSHIP
GROSS LENGTH OF PROJECT = 20,798 FT. = 3.939 MILE
NET LENGTH OF PROJECT = 19,282 FT. = 3.652 MILE

STATE OF ILLINOIS
DEPARTMENT OF TRANSPORTATION
DIVISION OF HIGHWAYS

SUBMITTED JANUARY 29, 2010

Diane M. O'Keefe
DEPUTY DIRECTOR OF HIGHWAYS, REGION ENGINEER

April 9, 2010
Scott E. Stitt, P.E.
Acting ENGINEER OF DESIGN AND ENVIRONMENT

April 9, 2010
Christine M. Reed
DIRECTOR OF HIGHWAYS, CHIEF ENGINEER

PRINTED BY THE AUTHORITY
OF THE STATE OF ILLINOIS

INDEX OF SHEETS:

SHEET NO.	DESCRIPTION
1	COVER SHEET
2	INDEX OF SHEETS, STANDARDS, AND GENERAL NOTES
3	SUMMARY OF QUANTITIES
4-8	TYPICAL SECTIONS
9-16	PROPOSED ROADWAY/PAVEMENT MARKING PLANS
17-19	DETECTOR LOOP REPLACEMENT PLANS
20	DETAILS FOR FRAMES AND LIDS ADJUSTMENT WITH MILLING
21	PAVEMENT PATCHING FOR BITUMINOUS SURFACE PAVEMENT
22	CURB OR CURB AND GUTTER REMOVAL AND REPLACEMENT
23	BUTT JOINT AND BITUMINOUS TAPER DETAILS
24	TRAFFIC CONTROL AND PROTECTION FOR SIDE ROADS, INTERSECTIONS, AND DRIVEWAYS
25	RAISED REFLECTIVE PAVEMENT MARKERS (SNOW PLOW RESISTANT)
26	DISTRICT ONE TYPICAL PAVEMENT MARKINGS
27	TRAFFIC CONTROL AND PROTECTION AT TURN BAYS (TO REMAIN OPEN TO TRAFFIC)
28	PAVEMENT MARKINGS, LETTERS AND SYMBOLS FOR TRAFFIC STAGING
29	ARTERIAL ROAD INFORMATION SIGN
30	DISTRICT ONE STANDARD TRAFFIC SIGNAL DESIGN DETAIL
31	DETECTOR LOOP INSTALLATION DETAIL FOR ROADWAY RESURFACING

STATE STANDARDS:

000001-05	STANDARD SYMBOLS, ABBREVIATIONS AND PATTERNS
442201-03	CLASS C AND D PATCHES
701301-03	LANE CLOSURE, 2L 2W, SHORT TIME OPERATIONS
701306-02	LANE CLOSURE, 2L 2W SLOW MOVING DAY ONLY OPERATIONS, FOR SPEEDS GREATER THAN OR EQUAL TO 45 MPH
701336-05	LANE CLOSURE, 2L, 2W WORK AREAS IN SERIES FOR SPEEDS GREATER THAN OR EQUAL TO 45 MPH
701501-05	URBAN LANE CLOSURE, 2L, 2W, UNDIVIDED
701601-06	LANE CLOSURE, MULTILANE, 2W, WITH NON-TRAVERSABLE MEDIAN
701606-06	LANE CLOSURE, MULTILANE, 2-W, WITH MOUNTABLE MEDIAN
701701-06	URBAN LANE CLOSURE, MULTILANE INTERSECTION
701901-01	TRAFFIC CONTROL DEVICES

GENERAL NOTES:

BEFORE STARTING ANY EXCAVATION, THE CONTRACTOR SHALL CALL "JULIE" AT 1-800-892-0123 FOR FIELD LOCATIONS OF BURIED ELECTRIC, TELEPHONE AND GAS FACILITIES. (48 HOUR NOTIFICATION IS REQUIRED).

THE RESIDENT ENGINEER SHALL VERIFY THE LOCATIONS OF ALL EXISTING PAVEMENT MARKINGS PRIOR TO START OF CONSTRUCTION

10 FEET (3 METERS) TRANSITION SHALL BE USED TO MATCH PROPOSED CURB AND GUTTER AND MEDIAN ITEMS OF WORK TO EXISTING CURBS & GUTTERS AND MEDIANS IN THE FIELD, UNLESS OTHERWISE SHOWN. THE TRANSITIONS SHALL BE PAID FOR AT THE CONTRACT UNIT PRICE FOR THE PROPOSED ITEMS OF WORK SPECIFIED.

THE CONTRACTOR SHALL COORDINATE CONSTRUCTION ACTIVITIES WITH UTILITY COMPANIES AND THE VILLAGE OF FOX LAKE.

THE CONTRACTOR WILL NOT BE ALLOWED TO SET UP A YARD OR FIELD OFFICE ON STATE PROPERTY WITHOUT WRITTEN PERMISSION FROM THE DEPARTMENT.

WHEN MILLED PAVEMENT IS OPEN TO TRAFFIC THE MAXIMUM GRADE DIFFERENTIAL BETWEEN PASSES OF THE MILLING MACHINE SHALL NOT EXCEED 1 1/2 INCHES (40 MM) WHERE THE SPEED LIMIT IS 45 MPH (80 KM/H) OR LESS AND 1 INCH (25 MM) WHERE THE SPEED LIMIT IS GREATER THAN 45 MPH (80 KM/H). WITH WRITTEN APPROVAL FROM THE ENGINEER, A MAXIMUM GRADE DIFFERENTIAL OF 3 INCHES (75 MM) MAY BE ALLOWED IF THE EDGE OF THE MILLING IS SLOPED A MINIMUM 1:3 (V:H).

THE CONTRACTOR SHALL CONTACT THE TRAFFIC CONTROL SUPERVISOR AT (847) 705- 4470 A MINIMUM OF 72 HOURS PRIOR TO THE PLACEMENT OF ANY TRAFFIC CONTROL DEVICES

PERMANENT PAVEMENT MARKINGS SHALL BE THERMOPLASTIC (OF THE EXTRUDED TYPE) AND SHOULD BE PLACED IN ACCORDANCE WITH "DISTRICT ONE TYPICAL PAVEMENT MARKINGS" DETAIL.

THE ENGINEER SHALL CONTACT MS. DEBBIE HANLON, AREA TRAFFIC FIELD ENGINEER, AT (847) 438-2300 A MINIMUM OF TWO WEEKS PRIOR TO PLACEMENT OF FINAL PAVEMENT MARKINGS

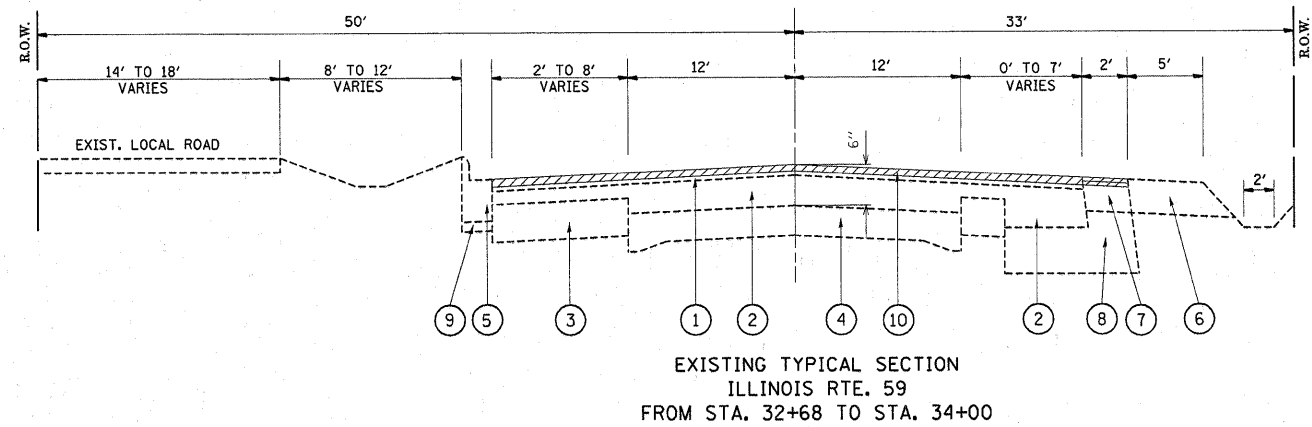
BUTT JOINTS WILL BE INSTALLED AT THE ENDS OF ALL RESURFACING (WHERE RESURFACING MEETS EXISTING PAVEMENT), IN ACCORDANCE WITH THE "BUTT JOINT AND HMA TAPER DETAILS" SHEET INCLUDED IN THE PLANS, UNLESS OTHERWISE SPECIFIED.

FILE NAME =	USER NAME = byunsh	DESIGNED -	REVISED -	STATE OF ILLINOIS DEPARTMENT OF TRANSPORTATION	IL 59 INDEX OF SHEETS, STATE STANDARDS & GENERAL NOTES		F.A.P. RTE.	SECTION	COUNTY	TOTAL SHEETS	SHEET NO.
c:\pwork\pwork\byunsh\d0180500\012411-Design.dgn	DRAWN -	REVISED -			104	106 RS-5	LAKE	31	2		
PLOT SCALE = 50.0000 / IN.	CHECKED -	REVISED -			CONTRACT NO. 60J51						
PLOT DATE = 3/17/2010	DATE -	REVISED -			ILLINOIS FED. AID PROJECT						
				SCALE:	SHEET NO.	OF	SHEETS	STA.	TO	STA.	

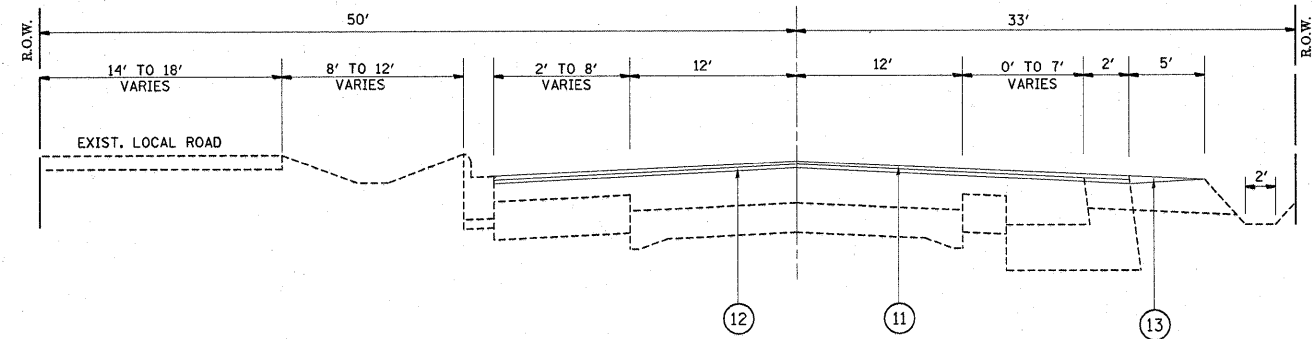
SUMMARY OF QUANTITIES			URBAN		CONSTRUCTION TYPE CODE					SUMMARY OF QUANTITIES			URBAN		CONSTRUCTION TYPE CODE						
CODE NO	ITEM	UNIT	TOTAL QUANTITIES							CODE NO	ITEM	UNIT	TOTAL QUANTITIES								
			100% STATE	I000									100% STATE	I000							
20201006	GRADING AND SHAPING SHOULDERS	UNIT	310	310						70102620	TRAFFIC CONTROL AND PROTECTION, STANDARD 701501	L SUM	1	1							
25200110	SODDING, SALT TOLERANT	SO YD	150	150						70102625	TRAFFIC CONTROL AND PROTECTION, STANDARD 701606	L SUM	1	1							
40600200	BITUMINOUS MATERIALS (PRIME COAT)	TON	76	76						70102630	TRAFFIC CONTROL AND PROTECTION, STANDARD 701601	L SUM	1	1							
40600300	AGGREGATE (PRIME COAT)	TON	412	412						70102635	TRAFFIC CONTROL AND PROTECTION, STANDARD 701701	L SUM	1	1							
40600400	MIXTURE FOR CRACKS, JOINTS, AND FLANGEWAYS	TON	155	155						70300100	SHORT-TERM PAVEMENT MARKING	FOOT	7000	7000							
40600826	POLYMERIZED LEVELING BINDER (MACHINE METHOD), IL-4.75, N50	TON	3780	3780						70300210	TEMPORARY PAVEMENT MARKING - LETTERS AND SYMBOLS	SO FT	400	400							
40600895	CONSTRUCTING TEST STRIP	EACH	2	2						70300220	TEMPORARY PAVEMENT MARKING - LINE 4"	FOOT	40,500	40,500							
40600982	HOT-MIX ASPHALT SURFACE REMOVAL - BUTT JOINT	SO YD	120	120						70300240	TEMPORARY PAVEMENT MARKING - LINE 6"	FOOT	2,700	2,700							
21101615	TOPSOIL FURNISH AND PLACE, 4"	SQ YD	150	150						70300250	TEMPORARY PAVEMENT MARKING - LINE 8"	FOOT	140	140							
25000400	NITROGEN FERTILIZER NUTRIENT	POUND	3	3						70300260	TEMPORARY PAVEMENT MARKING - LINE 12"	FOOT	240	240							
25000500	PHOSPHORUS FERTILIZER NUTRIENT	POUND	3	3						70300280	TEMPORARY PAVEMENT MARKING - LINE 24"	FOOT	352	352							
25000600	POTASSIUM FERTILIZER NUTRIENT	POUND	3	3						70301000	WORK ZONE PAVEMENT MARKING REMOVAL	SO FT	2350	2350							
25200200	SUPPLEMENTAL WATERING	UNIT	8	8						* 78000100	THERMOPLASTIC PAVEMENT MARKING - LETTERS AND SYMBOLS	SO FT	390	390							
40603340	HOT-MIX ASPHALT SURFACE COURSE, MIX "D", N70	TON	6800	6800						* 78000200	THERMOPLASTIC PAVEMENT MARKING - LINE 4"	FOOT	40,500	40,500							
44000158	HOT-MIX ASPHALT SURFACE REMOVAL, 2 1/4"	SO YD	80,847	80,847						* 78000400	THERMOPLASTIC PAVEMENT MARKING - LINE 6"	FOOT	2,700	2,700							
44000500	COMBINATION CURB AND GUTTER REMOVAL	FOOT	500	500						* 78000500	THERMOPLASTIC PAVEMENT MARKING - LINE 8"	FOOT	140	140							
44001700	COMBINATION CONCRETE CURB AND GUTTER REMOVAL AND REPLACEMENT	FOOT	500	500						* 78000600	THERMOPLASTIC PAVEMENT MARKING - LINE 12"	FOOT	240	240							
44201753	CLASS D PATCHES, TYPE II, 9 INCH	SQ YD	880	880						* 78000650	THERMOPLASTIC PAVEMENT MARKING - LINE 24"	FOOT	352	352							
44201757	CLASS D PATCHES, TYPE III, 9 INCH	SQ YD	1460	1460						* 78100100	RAISED REFLECTIVE PAVEMENT MARKER	EACH	908	908							
44201759	CLASS D PATCHES, TYPE IV, 9 INCH	SQ YD	1100	1100						78300200	RAISED REFLECTIVE PAVEMENT MARKER REMOVAL	EACH	660	660							
48102100	AGGREGATE WEDGE SHOULDER, TYPE B	TON	1810	1810						* 88600600	DETECTOR LOOP REPLACEMENT	FOOT	950	950							
50300300	PROTECTIVE COAT	SO YD	20	20						X0322256	TEMPORARY INFORMATION SIGNING	SO FT	102.8	102.8							
55039700	STORM SEWERS TO BE CLEANED	FOOT	1500	1500						X0324626	PORTLAND CEMENT CONCRETE SURFACE REMOVAL 2 1/4"	SO YD	440	440							
60250200	CATCH BASINS TO BE ADJUSTED	EACH	8	8						Z0018500	DRAINAGE STRUCTURES TO BE CLEANED	EACH	25	25							
60252800	CATCH BASINS TO BE RECONSTRUCTED	EACH	2	2																	
60255500	MANHOLES TO BE ADJUSTED	EACH	2	2																	
60257900	MANHOLES TO BE RECONSTRUCTED	EACH	1	1																	
60300205	FRAMES AND GRATES TO BE ADJUSTED (SPECIAL)	EACH	10	10																	
60406000	FRAMES AND LIDS, TYPE 1, OPEN LID	EACH	2	2																	
60406100	FRAMES AND LIDS, TYPE 1, CLOSED LID	EACH	2	2																	
60605000	COMBINATION CONCRETE CURB AND GUTTER, TYPE B 6.24	FOOT	500	500																	
67000400	ENGINEER'S FIELD OFFICE, TYPE A	CAL MO	6	6																	
67100100	MOBILIZATION	L SUM	1	1																	
70100460	TRAFFIC CONTROL AND PROTECTION, STANDARD 701306	L SUM	1	1																	
70100600	TRAFFIC CONTROL AND PROTECTION, STANDARD 701336	L SUM	1	1																	

*Specialty Items

Rev



EXISTING TYPICAL SECTION
ILLINOIS RTE. 59
FROM STA. 32+68 TO STA. 34+00



PROPOSED TYPICAL SECTION
ILLINOIS RTE. 59
FROM STA. 32+68 TO STA. 34+00

LEGEND

- ① EXIST. HMA SURFACE COURSE 2-1/2"
- ② EXIST. HMA PAVEMENT 3-1/2"
- ③ EXIST. HMA BASE COURSE WIDENING 9"
- ④ EXIST. P.C. CONCRETE PAVEMENT 9"
- ⑤ EXIST. COMB. CURB AND GUTTER, TY B-6.24
- ⑥ EXIST. AGGREGATE SHOULDER TY B
- ⑦ EXIST. HMA SHOULDER 8"
- ⑧ EXIST. AGGREGATE SUBGRADE
- ⑨ EXIST. SUBBASE GRANULAR MATERIAL
- ⑩ PROP. HMA SURFACE REMOVAL 2-1/4"
- ⑪ PROP. HMA SURFACE COURSE, MIX "D" N 70, 1-1/2"
- ⑫ PROP. POLYMERIZED LEVELING BINDER (MACHINE METHOD), IL-4.75, N 50, 3/4"
- ⑬ PROP. AGGREGATE WEDGE SHOULDER TYPE B

NOTE: CONTRACTOR SHALL MILL FIRST BEFORE PATCHING

HOT-MIX ASPHALT MIXTURE REQUIREMENT

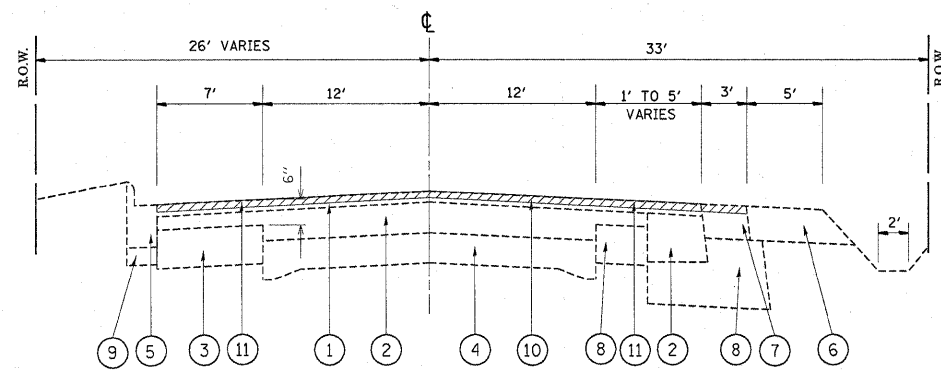
MIXTURE TYPE	AIR VOIDS (%)
POLY. LEVELING BINDER (MACHINE METHOD), IL 4.75, N50	4% @ 50 GYR
HOT-MIX ASPHALT SURFACE COURSE, MIX "D", N70 (IL-9.5 mm)	4% @ 70 GYR
CLASS D PATCHES (HMA BINDER IL-19)	4% @ 70 GYR

NOTE: THE UNIT WEIGHT USED TO CALCULATE ALL HOT-MIX ASPHALT SURFACE MIXTURE IS 112 LBS/SQ. YD./IN.

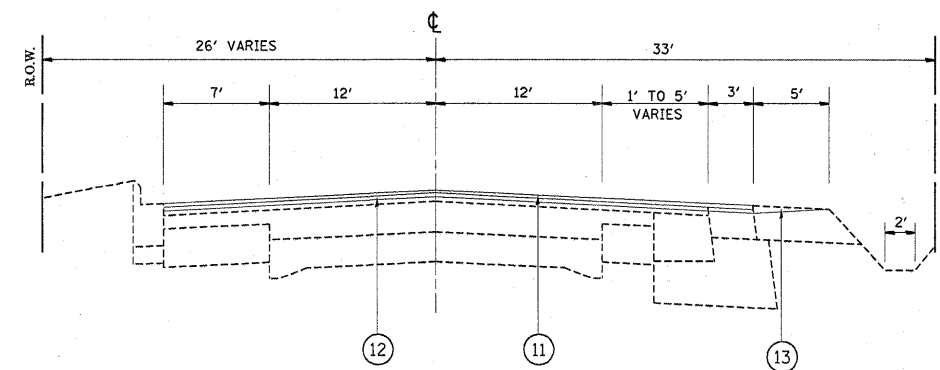
THE "AC TYPE" FOR POLYMERIZED HMA MIXES SHALL BE "SBS/SBR PG 70-22" AND FOR NON-POLYMERIZED HMA "AC TYPE" SHALL BE "PG 64-22" UNLESS MODIFIED BY DISTRICT ONE SPECIAL PROVISIONS.

FOR "PERCENT OF RAP" SEE DISTRICT ONE SPECIAL PROVISIONS

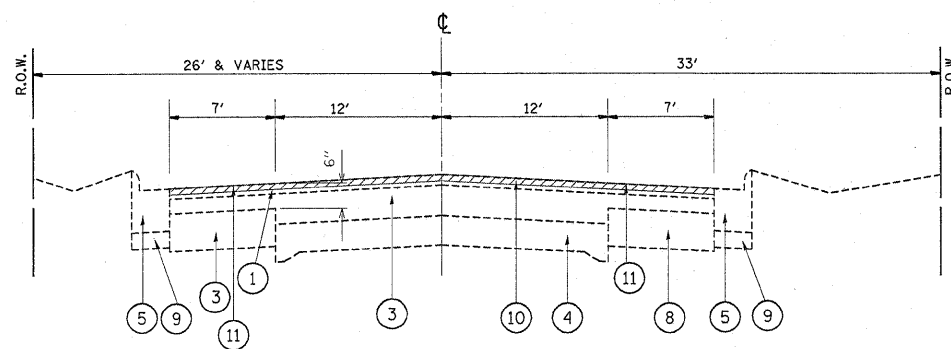
FILE NAME =	USER NAME = byunsh	DESIGNED -	REVISED -	STATE OF ILLINOIS DEPARTMENT OF TRANSPORTATION	ILLINOIS ROUTE 59 EXISTING AND PROPOSED TYPICAL SECTIONS		F.A.P. RTE. 104	SECTION 106 RS-5	COUNTY LAKE	TOTAL SHEETS 31	SHEET NO. 4
es:\pwork\pwork\byunsh\0180500\0124110-shr-plan.dgn	DRAWN -	REVISOR -	SCALE:		SHEET NO. OF SHEETS	STA. TO STA.	ILLINOIS FED. AID PROJECT				
PLOT SCALE = 50,0000 ' / IN.	CHECKED -	REVISOR -									
PLOT DATE = 3/17/2010	DATE -	REVISOR -									



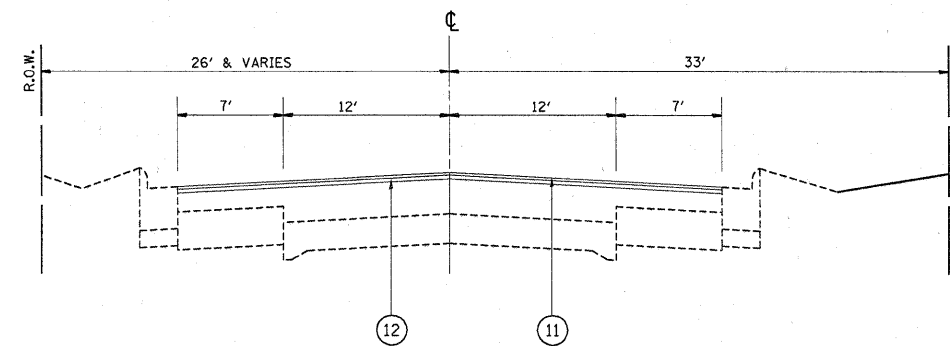
EXISTING TYPICAL SECTION
ILLINOIS RTE. 59
FROM STA. 105+00 TO 114+00



PROPOSED TYPICAL SECTION
ILLINOIS RTE. 59
FROM STA. 105+00 TO STA. 114+00



PROPOSED TYPICAL SECTION
ILLINOIS RTE. 59
FROM STA. 101+00 TO STA. 105+00



PROPOSED TYPICAL SECTION
ILLINOIS RTE. 59
FROM STA. 101+00 TO STA. 105+00

LEGEND

- ① EXIST. HMA SURFACE COURSE 2-1/2"
- ② EXIST. HMA PAVEMENT 3-1/2"
- ③ EXIST. HMA BASE COURSE WIDENING 9"
- ④ EXIST. P.C. CONCRETE PAVEMENT 9"
- ⑤ EXIST. COMB. CURB AND GUTTER, TY B-6.24
- ⑥ EXIST. AGGREGATE SHOULDER TY B
- ⑦ EXIST. HMA SHOULDER 8"
- ⑧ EXIST. AGGREGATE SUBGRADE
- ⑨ EXIST. SUBBASE GRANULAR MATERIAL
- ⑩ PROP. HMA SURFACE REMOVAL 2-1/4"
- ⑪ PROP. HMA SURFACE COURSE, MIX "D" N 70, 1-1/2"
- ⑫ PROP. POLYMERIZED LEVELING BINDER (MACHINE METHOD), IL-4.75, N 50, 3/4"
- ⑬ PROP. AGGREGATE WEDGE SHOULDER TYPE B

NOTE: CONTRACTOR SHALL MILL FIRST BEFORE PATCHING

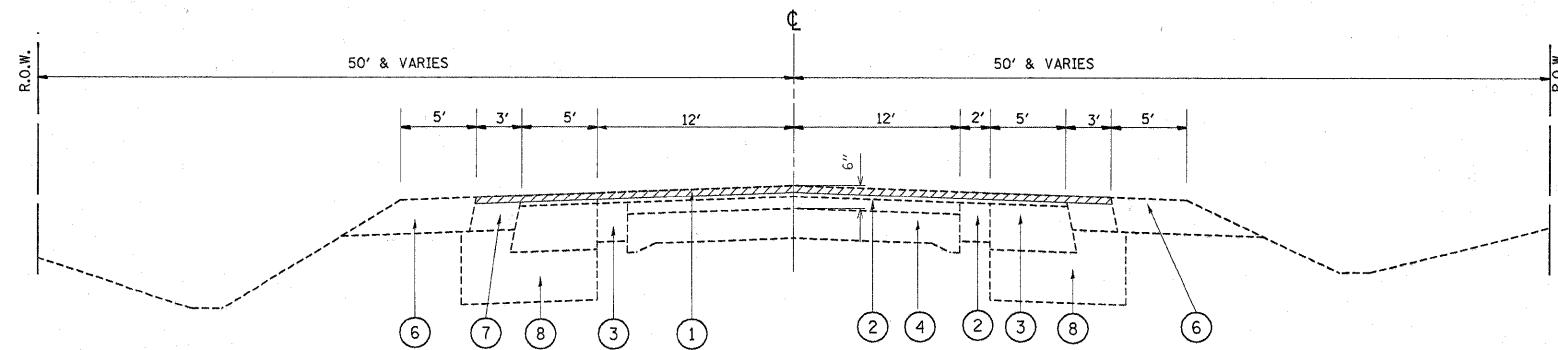
FILE NAME =	USER NAME = byunsh	DESIGNED -	REVISED -
cs:\pw_work\p\dot\byunsh\d0180500\012411	sht-plan.dgn	DRAWN -	REVISED -
	PLOT SCALE = 50.0000' / IN.	CHECKED -	REVISED -
	PLOT DATE = 2/3/2010	DATE -	REVISED -

**STATE OF ILLINOIS
DEPARTMENT OF TRANSPORTATION**

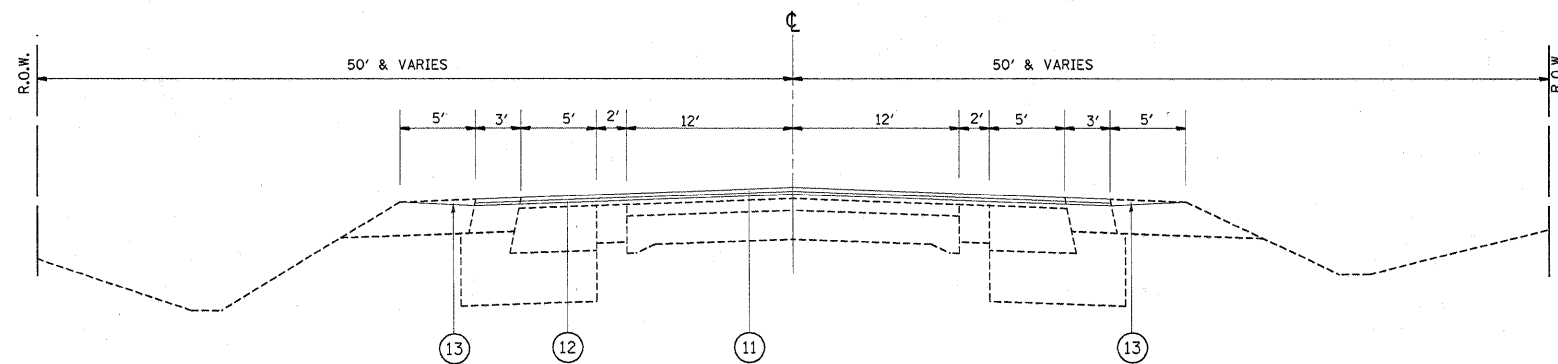
**ILLINOIS ROUTE 59
EXISTING AND PROPOSED TYPICAL SECTIONS**

F.A.P. RTE.	SECTION	COUNTY	TOTAL SHEETS	SHEET NO.
104	106 RS-5	LAKE	31	5
CONTRACT NO. 60J51				
ILLINOIS FED. AID PROJECT				

SCALE: SHEET NO. OF SHEETS STA. TO STA.



EXISTING TYPICAL SECTION
ILLINOIS RTE. 59
FROM STA. 21+00 TO 29+00
FROM STA. 60+00 TO 64+00
FROM STA. 68+00 TO STA. 77+00
FROM STA. 105+00 TO STA. 120+00



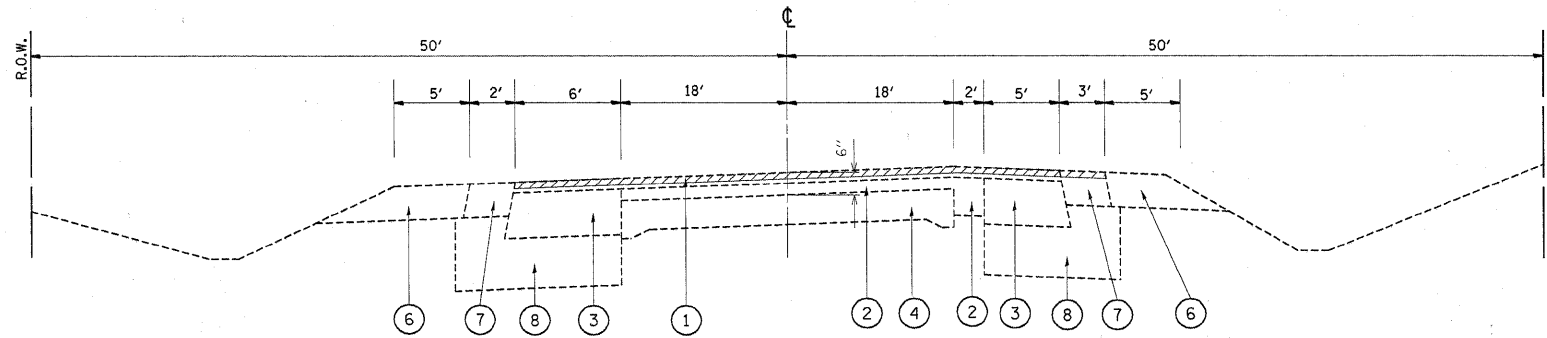
PROPOSED TYPICAL SECTION
ILLINOIS RTE. 59
FROM STA. 21+00 TO 29+00
FROM STA. 60+00 TO 64+00
FROM STA. 68+00 TO STA. 77+00
FROM STA. 105+00 TO STA. 120+00

LEGEND

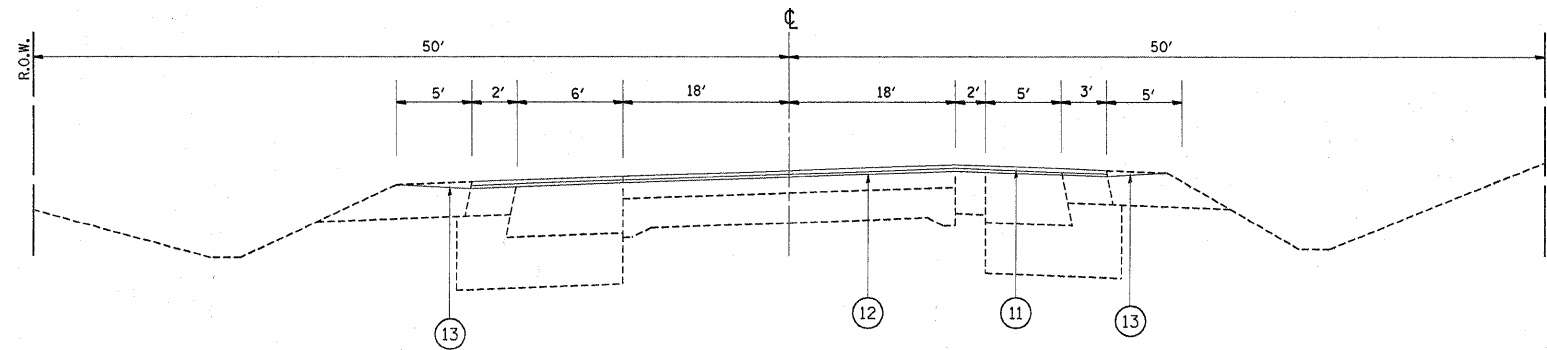
- ① EXIST. HMA SURFACE COURSE 2-1/2"
- ② EXIST. HMA PAVEMENT 3-1/2"
- ③ EXIST. HMA BASE COURSE WIDENING 9"
- ④ EXIST. P.C. CONCRETE PAVEMENT 9"
- ⑤ EXIST. COMB. CURB AND GUTTER, TY B-6.24
- ⑥ EXIST. AGGREGATE SHOULDER TY B
- ⑦ EXIST. HMA SHOULDER 8"
- ⑧ EXIST. AGGREGATE SUBGRADE
- ⑨ EXIST. SUBBASE GRANULAR MATERIAL
- ⑩ PROP. HMA SURFACE REMOVAL 2-1/4"
- ⑪ PROP. HMA SURFACE COURSE, MIX "D" N 70, 1-1/2"
- ⑫ PROP. POLYMERIZED LEVELING BINDER (MACHINE METHOD), IL-4.75, N 50, 3/4"
- ⑬ PROP. AGGREGATE WEDGE SHOULDER TYPE B

NOTE: CONTRACTOR SHALL MILL FIRST BEFORE PATCHING

FILE NAME =	USER NAME = byunsh	DESIGNED -	REVISED -	STATE OF ILLINOIS DEPARTMENT OF TRANSPORTATION	ILLINOIS ROUTE 59 EXISTING AND PROPOSED TYPICAL SECTIONS			F.A.P. RTE. 104	SECTION 106 RS-5	COUNTY LAKE	TOTAL SHEETS 31	SHEET NO. 6
cd:\pw\work\pwsdot\byunsh\d0180500\0124110-shst-plen.dgn		DRAWN -	REVISED -		SCALE:	SHEET NO. OF	SHEETS	STA. TO STA.	ILLINOIS FED. AID PROJECT			
		CHECKED -	REVISED -									
		DATE -	REVISED -									
	PLOT SCALE = 50.0000' / IN.											
	PLOT DATE = 2/3/2010											



EXISTING TYPICAL SECTION
ILLINOIS RTE. 59
FROM STA. 79+00 TO STA. 94+00
FROM STA. 124+00 TO STA. 154+00



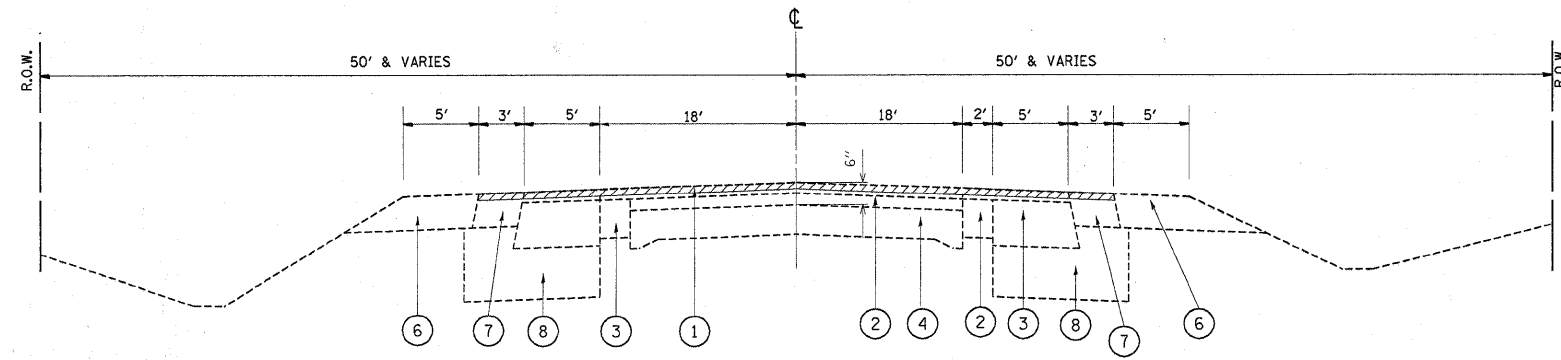
PROPOSED TYPICAL SECTION
ILLINOIS RTE. 59
FROM STA. 79+00 TO STA. 94+00
FROM STA. 124+00 TO STA. 154+00

LEGEND

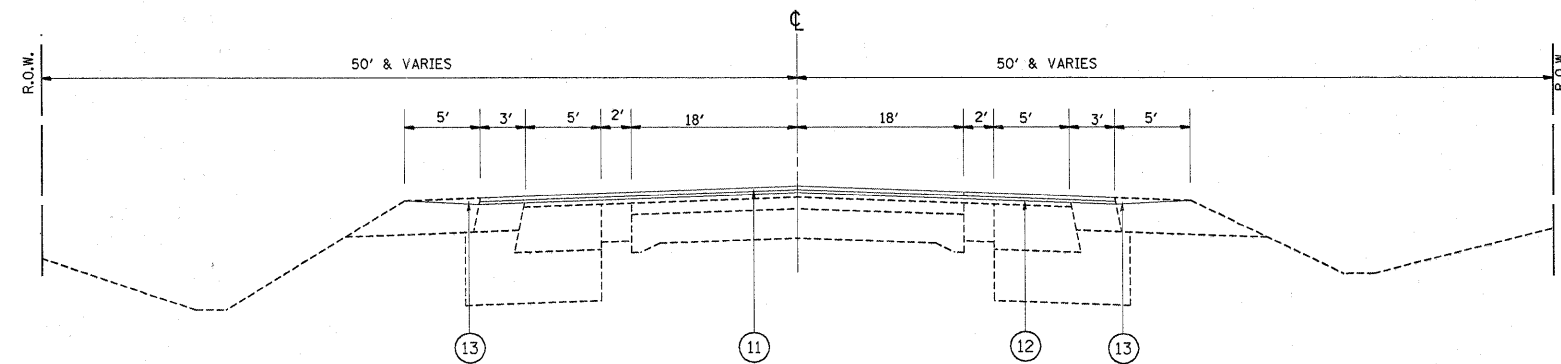
- ① EXIST. HMA SURFACE COURSE 2-1/2"
- ② EXIST. HMA PAVEMENT 3-1/2"
- ③ EXIST. HMA BASE COURSE WIDENING 9"
- ④ EXIST. P.C. CONCRETE PAVEMENT 9"
- ⑤ EXIST. COMB. CURB AND GUTTER, TY B-6.24
- ⑥ EXIST. AGGREGATE SHOULDER TY B
- ⑦ EXIST. HMA SHOULDER 8"
- ⑧ EXIST. AGGREGATE SUBGRADE
- ⑨ EXIST. SUBBASE GRANULAR MATERIAL
- ⑩ PROP. HMA SURFACE REMOVAL 2-1/4"
- ⑪ PROP. HMA SURFACE COURSE, MIX "D" N 70, 1-1/2"
- ⑫ PROP. POLYMERIZED LEVELING BINDER (MACHINE METHOD), IL-4.75, N 50, 3/4"
- ⑬ PROP. AGGREGATE WEDGE SHOULDER TYPE B

NOTE: CONTRACTOR SHALL MILL FIRST BEFORE PATCHING

FILE NAME =	USER NAME = byunsh	DESIGNED -	REVISED -	STATE OF ILLINOIS DEPARTMENT OF TRANSPORTATION	ILLINOIS ROUTE 59 EXISTING AND PROPOSED TYPICAL SECTIONS		F.A.P. RTE.	SECTION	COUNTY	TOTAL SHEETS	SHEET NO.
ct\pw\work\pwt\dot\byunsh\ad\180500\0124110\sh-t-plen\dgn		DRAWN -	REVISED -		104	106 RS-5	LAKE	31	7		
PLOT SCALE = 50.0000' / IN.		CHECKED -	REVISED -		SCALE: SHEET NO. OF SHEETS STA. TO STA.		CONTRACT NO. 60J51				
PLOT DATE = 2/3/2010		DATE -	REVISED -				ILLINOIS FED. AID PROJECT				



EXISTING TYPICAL SECTION
ILLINOIS RTE. 59
FROM STA. 172+00 TO 227+00



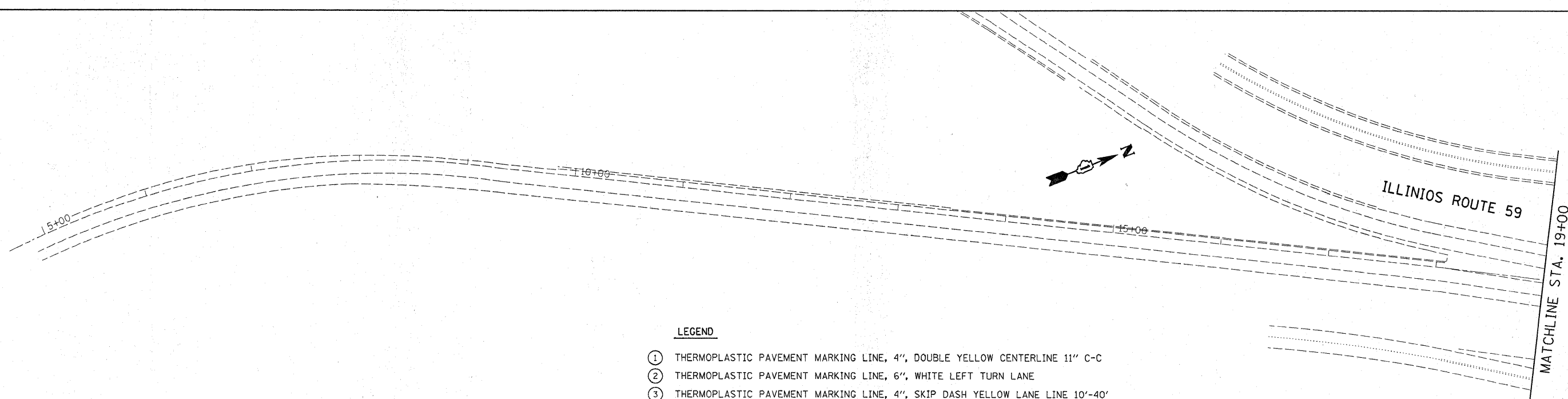
PROPOSED TYPICAL SECTION
ILLINOIS RTE. 59
FROM STA. 172+00 TO STA. 227+00

LEGEND

- ① EXIST. HMA SURFACE COURSE 2-1/2"
- ② EXIST. HMA PAVEMENT 3-1/2"
- ③ EXIST. HMA BASE COURSE WIDENING 9"
- ④ EXIST. P.C. CONCRETE PAVEMENT 9"
- ⑤ EXIST. COMB. CURB AND GUTTER, TY B-6.24
- ⑥ EXIST. AGGREGATE SHOULDER TY B
- ⑦ EXIST. HMA SHOULDER 8"
- ⑧ EXIST. AGGREGATE SUBGRADE
- ⑨ EXIST. SUBBASE GRANULAR MATERIAL
- ⑩ PROP. HMA SURFACE REMOVAL 2-1/4"
- ⑪ PROP. HMA SURFACE COURSE, MIX "D" N 70, 1-1/2"
- ⑫ PROP. POLYMERIZED LEVELING BINDER (MACHINE METHOD), IL-4.75, N 50, 3/4"
- ⑬ PROP. AGGREGATE WEDGE SHOULDER TYPE B

NOTE: CONTRACTOR SHALL MILL FIRST BEFORE PATCHING

FILE NAME =	USER NAME = byunsh	DESIGNED -	REVISED -	STATE OF ILLINOIS DEPARTMENT OF TRANSPORTATION	ILLINOIS ROUTE 59 EXISTING AND PROPOSED TYPICAL SECTIONS	F.A.P. RTE.	SECTION	COUNTY	TOTAL SHEETS	SHEET NO.	
ca:\pw_work\pawidot\byunsh\d0180502\0124110	shht-plan.dgn	DRAWN -	REVISED -			104	106 RS-5	LAKE	31	8	
	PLOT SCALE = 50,0000' / IN.	CHECKED -	REVISED -			SCALE:		SHEET NO. OF SHEETS		STA. TO STA.	ILLINOIS FED. AID PROJECT
	PLOT DATE = 2/3/2010	DATE -	REVISED -			CONTRACT NO. 60J51					

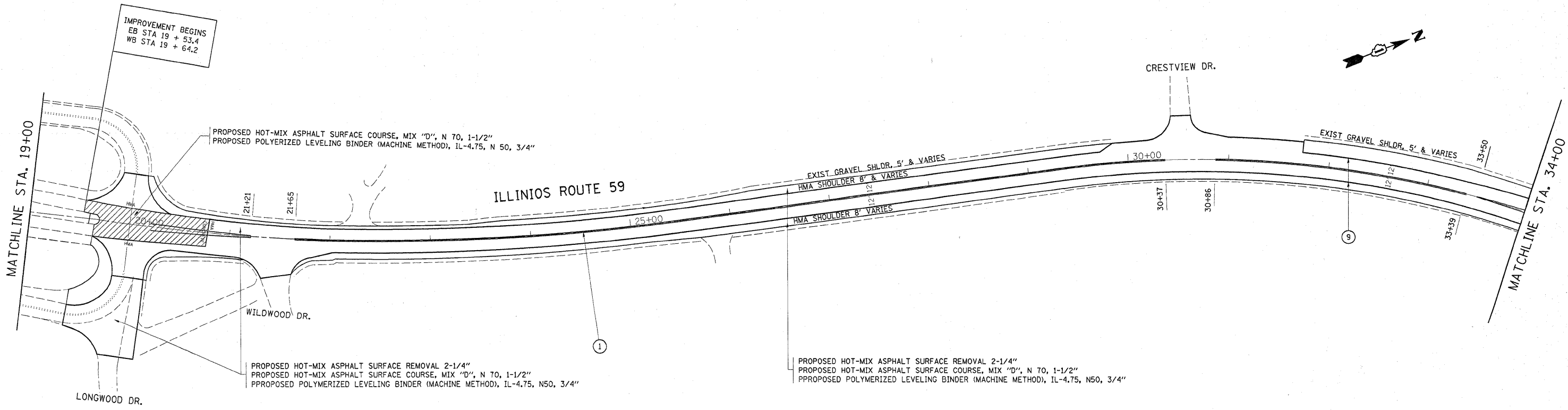


NOTE FOR ALL SIDE STREETS:
 RESURFACING LIMITS ARE AT THE RADIUS RETURNS UNLESS OTHERWISE NOTED
 -PROPOSED HOT-MIX ASPHALT SURFACE REMOVAL 2-1/4"
 -PROPOSED HOT-MIX ASPHALT SURFACE COURSE, MIX "D", N 70, 1-1/2"
 -PROPOSED POLYMERIZED LEVELING BINDER (MACHINE METHOD), IL-4.75, N50, 3/4"

NOTE:
 -FOR RAISED REFLECTIVE PAVEMENT MARKERS, REFER TO TYPICAL APPLICATIONS REISED REFLECTIVE PAVEMENT MARKERS (SNOW PLOW RESISTANT) AND DISTRICT TYPICAL PAVEMENT MARKINGS

LEGEND

- ① THERMOPLASTIC PAVEMENT MARKING LINE, 4", DOUBLE YELLOW CENTERLINE 11" C-C
- ② THERMOPLASTIC PAVEMENT MARKING LINE, 6", WHITE LEFT TURN LANE
- ③ THERMOPLASTIC PAVEMENT MARKING LINE, 4", SKIP DASH YELLOW LANE LINE 10'-40'
- ④ THERMOPLASTIC PAVEMENT MARKING LINE, 12", YELLOW DIAGONAL 45° 75' CTRS.
- ⑤ THERMOPLASTIC PAVEMENT MARKING LINE, 12", WHITE DIAGONAL 45° 8' CTRS.
- ⑥ THERMOPLASTIC PAVEMENT MARKING LINE, 6", WHITE DOTTED 2'-6'
- ⑦ THERMOPLASTIC PAVEMENT MARKING LINE, 24", WHITE SOLID STOP BAR
- ⑧ THERMOPLASTIC PAVEMENT MARKING LINE, LETTERS & SYMBOLS, SQ. YD.
- ⑨ THERMOPLASTIC PAVEMENT MARKING LINE, 4", WHITE EDGE LINE

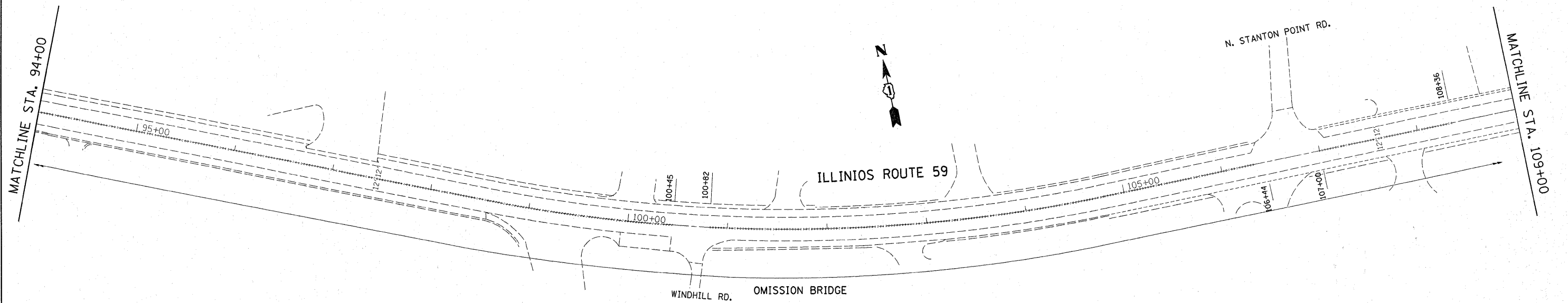


FILE NAME =	USER NAME = byunsh	DESIGNED -	REVISED -
c:\pwork\pwork\byunsh\d0180500\1214110\shp\plan.dgn		DRAWN -	REVISED -
PLOT SCALE = 50.0000' / IN.		CHECKED -	REVISED -
PLOT DATE = 2/3/2010		DATE -	REVISED -

**STATE OF ILLINOIS
 DEPARTMENT OF TRANSPORTATION**

IL. ROUTE 59 ROADWAY PLANS			
SCALE:	SHEET NO.	OF SHEETS	STA. TO STA.

F.A.P. RTE.	SECTION	COUNTY	TOTAL SHEETS	SHEET NO.
104	106 RS-5	LAKE	31	9
CONTRACT NO. 60J51				
ILLINOIS FED. AID PROJECT				

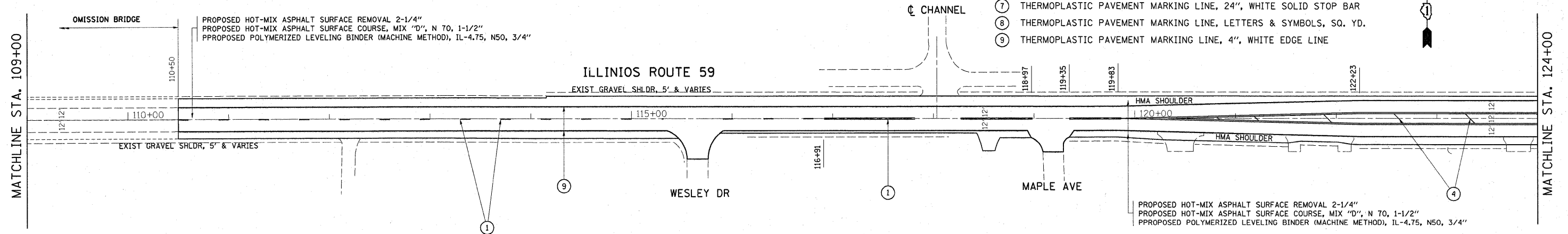


NOTE FOR ALL SIDE STREETS:
 RESURFACING LIMITS ARE AT THE RADIUS RETURNS UNLESS OTHERWISE NOTED
 -PROPOSED HOT-MIX ASPHALT SURFACE REMOVAL 2-1/4"
 -PROPOSED HOT-MIX ASPHALT SURFACE COURSE, MIX "D", N 70, 1-1/2"
 -PROPOSED POLYMERIZED LEVELING BINDER (MACHINE METHOD), IL-4.75, N50, 3/4"

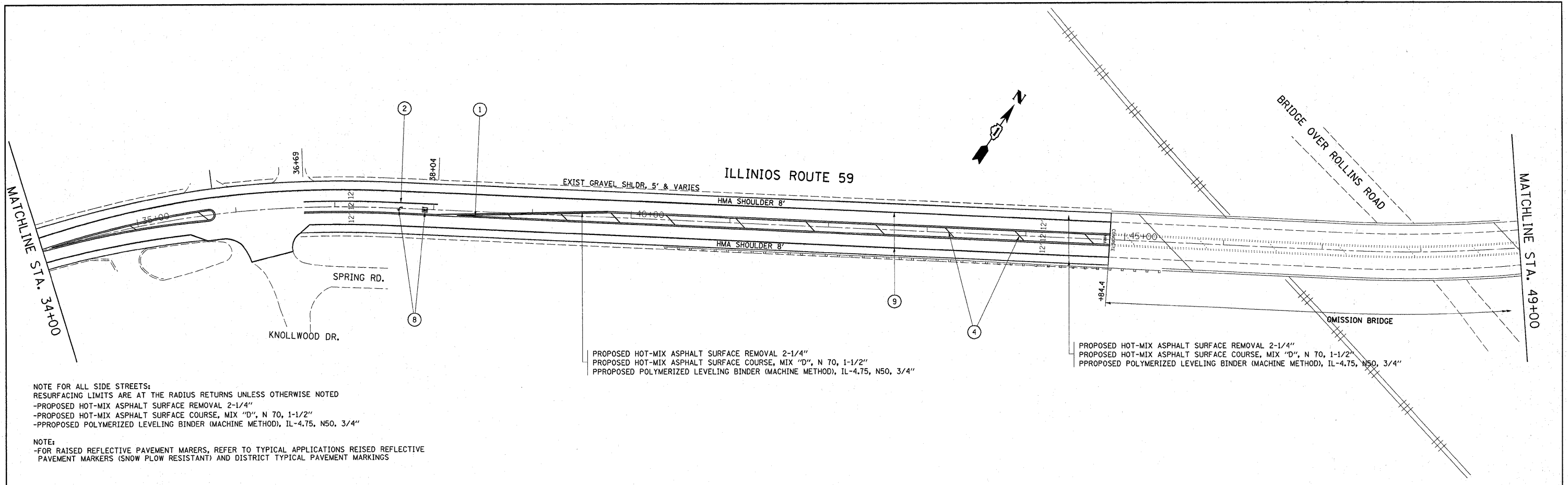
NOTE:
 -FOR RAISED REFLECTIVE PAVEMENT MARKERS, REFER TO TYPICAL APPLICATIONS REISED REFLECTIVE PAVEMENT MARKERS (SNOW PLOW RESISTANT) AND DISTRICT TYPICAL PAVEMENT MARKINGS

LEGEND

- ① THERMOPLASTIC PAVEMENT MARKING LINE, 4", DOUBLE YELLOW CENTERLINE 11" C-C
- ② THERMOPLASTIC PAVEMENT MARKING LINE, 6", WHITE LEFT TURN LANE
- ③ THERMOPLASTIC PAVEMENT MARKING LINE, 4", SKIP DASH YELLOW LANE LINE 10'-40'
- ④ THERMOPLASTIC PAVEMENT MARKING LINE, 12", YELLOW DIAGONAL 45° 75' CTRS.
- ⑤ THERMOPLASTIC PAVEMENT MARKING LINE, 12", WHITE DIAGONAL 45° 8' CTRS.
- ⑥ THERMOPLASTIC PAVEMENT MARKING LINE, 6", WHITE DOTTED 2'-6"
- ⑦ THERMOPLASTIC PAVEMENT MARKING LINE, 24", WHITE SOLID STOP BAR
- ⑧ THERMOPLASTIC PAVEMENT MARKING LINE, LETTERS & SYMBOLS, SQ. YD.
- ⑨ THERMOPLASTIC PAVEMENT MARKING LINE, 4", WHITE EDGE LINE



FILE NAME =	USER NAME = byunsh	DESIGNED -	REVISED -	STATE OF ILLINOIS DEPARTMENT OF TRANSPORTATION	IL. ROUTE 59 ROADWAY PLANS			F.A.P. RTE.	SECTION	COUNTY	TOTAL SHEETS	SHEET NO.			
ct:\pw\work\p\dot\byunsh\10180500\0124110-sh-t-plan.dgn		DRAWN -	REVISED -		SCALE:	SHEET NO.	OF	SHEETS	STA.	TO STA.	104	106 RS-5	LAKE	31	10
PLOT SCALE = 50.0000' / IN.		CHECKED -	REVISED -												
PLOT DATE = 3/17/2010		DATE -	REVISED -												
CONTRACT NO. 60J51											ILLINOIS FED. AID PROJECT				



NOTE FOR ALL SIDE STREETS:
 RESURFACING LIMITS ARE AT THE RADIUS RETURNS UNLESS OTHERWISE NOTED
 -PROPOSED HOT-MIX ASPHALT SURFACE REMOVAL 2-1/4"
 -PROPOSED HOT-MIX ASPHALT SURFACE COURSE, MIX "D", N 70, 1-1/2"
 -PPROPOSED POLYMERIZED LEVELING BINDER (MACHINE METHOD), IL-4.75, N50, 3/4"

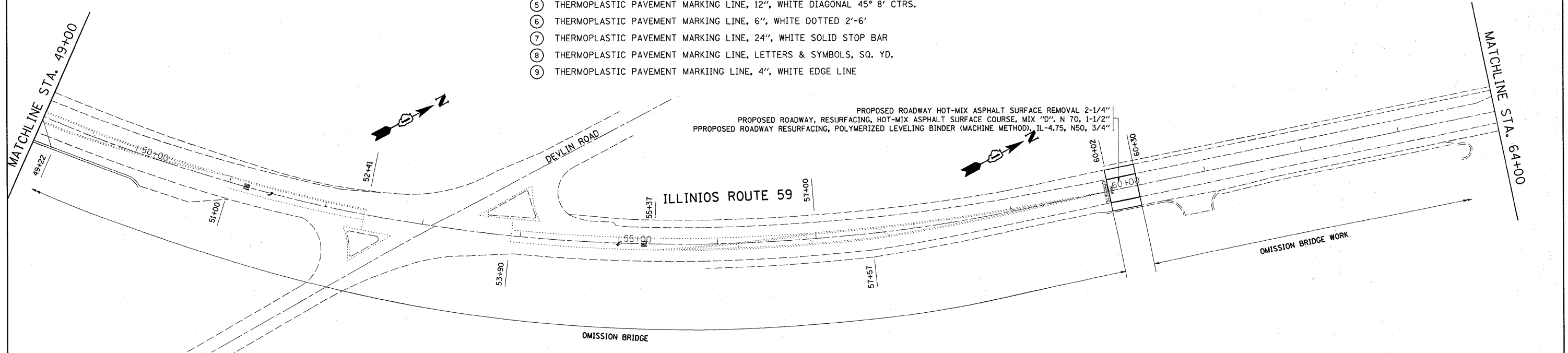
NOTE:
 -FOR RAISED REFLECTIVE PAVEMENT MARERS, REFER TO TYPICAL APPLICATIONS REISED REFLECTIVE PAVEMENT MARKERS (SNOW PLOW RESISTANT) AND DISTRICT TYPICAL PAVEMENT MARKINGS

PROPOSED HOT-MIX ASPHALT SURFACE REMOVAL 2-1/4"
 PROPOSED HOT-MIX ASPHALT SURFACE COURSE, MIX "D", N 70, 1-1/2"
 PPROPOSED POLYMERIZED LEVELING BINDER (MACHINE METHOD), IL-4.75, N50, 3/4"

PROPOSED HOT-MIX ASPHALT SURFACE REMOVAL 2-1/4"
 PROPOSED HOT-MIX ASPHALT SURFACE COURSE, MIX "D", N 70, 1-1/2"
 PPROPOSED POLYMERIZED LEVELING BINDER (MACHINE METHOD), IL-4.75, N50, 3/4"

LEGEND

- ① THERMOPLASTIC PAVEMENT MARKING LINE, 4", DOUBLE YELLOW CENTERLINE 11" C-C
- ② THERMOPLASTIC PAVEMENT MARKING LINE, 6", WHITE LEFT TURN LANE
- ③ THERMOPLASTIC PAVEMENT MARKING LINE, 4", SKIP DASH YELLOW LANE LINE 10'-40'
- ④ THERMOPLASTIC PAVEMENT MARKING LINE, 12", YELLOW DIAGONAL 45° 75' CTRS.
- ⑤ THERMOPLASTIC PAVEMENT MARKING LINE, 12", WHITE DIAGONAL 45° 8' CTRS.
- ⑥ THERMOPLASTIC PAVEMENT MARKING LINE, 6", WHITE DOTTED 2'-6'
- ⑦ THERMOPLASTIC PAVEMENT MARKING LINE, 24", WHITE SOLID STOP BAR
- ⑧ THERMOPLASTIC PAVEMENT MARKING LINE, LETTERS & SYMBOLS, SQ. YD.
- ⑨ THERMOPLASTIC PAVEMENT MARKING LINE, 4", WHITE EDGE LINE



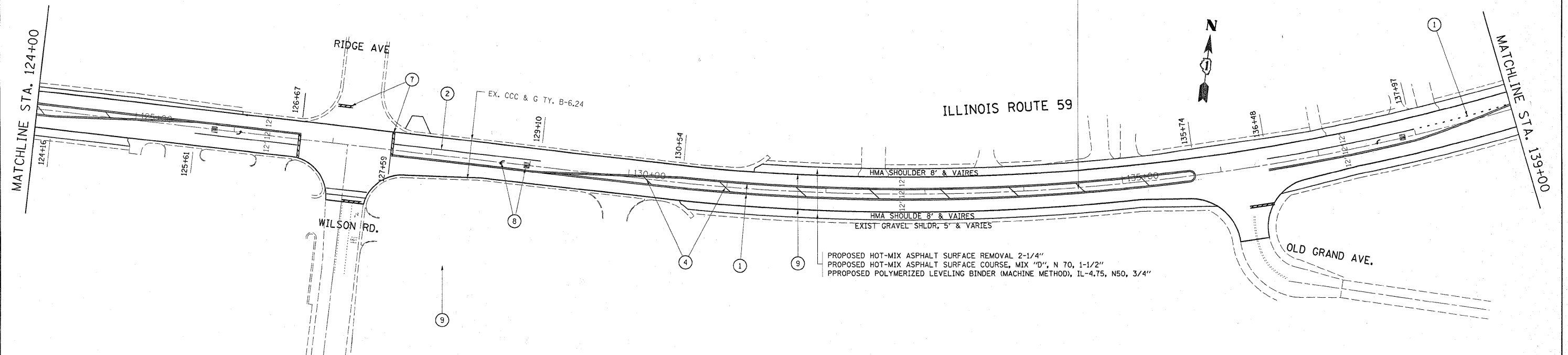
PROPOSED ROADWAY HOT-MIX ASPHALT SURFACE REMOVAL 2-1/4"
 PROPOSED ROADWAY, RESURFACING, HOT-MIX ASPHALT SURFACE COURSE, MIX "D", N 70, 1-1/2"
 PPROPOSED ROADWAY RESURFACING, POLYMERIZED LEVELING BINDER (MACHINE METHOD), IL-4.75, N50, 3/4"

FILE NAME =	USER NAME = byunsh	DESIGNED -	REVISED -	STATE OF ILLINOIS DEPARTMENT OF TRANSPORTATION	IL. ROUTE 59 ROADWAY PLANS			F.A.P. RTE.	SECTION	COUNTY	TOTAL SHEETS	SHEET NO.			
cs:\pwork\pwork\byunsh\d0180500\0124110-shr-plan.dgn	PLT SCALE = 50,0000 "/> IN.	DRAWN -	REVISED -		SCALE:	SHEET NO.	OF	SHEETS	STA.	TO STA.	104	106 RS-5	LAKE	31	12
	PLOT DATE = 3/17/2010	CHECKED -	REVISED -												
		DATE -	REVISED -												
											CONTRACT NO. 60J51			ILLINOIS FED. AID PROJECT	

NOTE FOR ALL SIDE STREETS:
 RESURFACING LIMITS ARE AT THE RADIUS RETURNS UNLESS OTHERWISE NOTED
 -PROPOSED HOT-MIX ASPHALT SURFACE REMOVAL 2-1/4"
 -PROPOSED HOT-MIX ASPHALT SURFACE COURSE, MIX "D", N 70, 1-1/2"
 -PROPOSED POLYMERIZED LEVELING BINDER (MACHINE METHOD), IL-4.75, N50, 3/4"

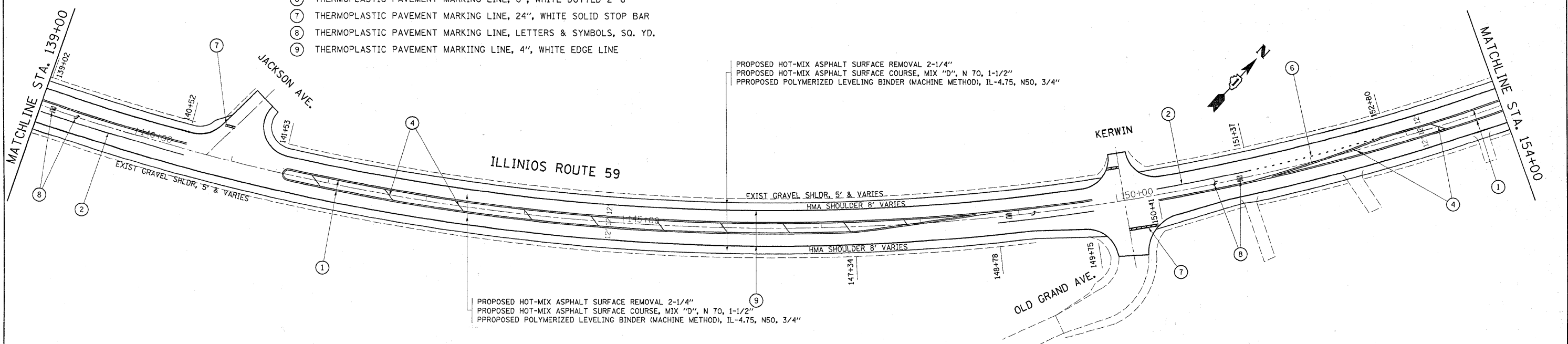
NOTE:
 -FOR RAISED REFLECTIVE PAVEMENT MARKERS, REFER TO TYPICAL APPLICATIONS REISED REFLECTIVE PAVEMENT MARKERS (SNOW PLOW RESISTANT) AND DISTRICT TYPICAL PAVEMENT MARKINGS

PROPOSED HOT-MIX ASPHALT SURFACE REMOVAL 2-1/4"
 PROPOSED HOT-MIX ASPHALT SURFACE COURSE, MIX "D", N 70, 1-1/2"
 PROPOSED POLYMERIZED LEVELING BINDER (MACHINE METHOD), IL-4.75, N50, 3/4"



LEGEND

- ① THERMOPLASTIC PAVEMENT MARKING LINE, 4", DOUBLE YELLOW CENTERLINE 11" C-C
- ② THERMOPLASTIC PAVEMENT MARKING LINE, 6", WHITE LEFT TURN LANE
- ③ THERMOPLASTIC PAVEMENT MARKING LINE, 4", SKIP DASH YELLOW LANE LINE 10'-40'
- ④ THERMOPLASTIC PAVEMENT MARKING LINE, 12", YELLOW DIAGONAL 45° 75' CTRS.
- ⑤ THERMOPLASTIC PAVEMENT MARKING LINE, 12", WHITE DIAGONAL 45° 8' CTRS.
- ⑥ THERMOPLASTIC PAVEMENT MARKING LINE, 6", WHITE DOTTED 2'-6"
- ⑦ THERMOPLASTIC PAVEMENT MARKING LINE, 24", WHITE SOLID STOP BAR
- ⑧ THERMOPLASTIC PAVEMENT MARKING LINE, LETTERS & SYMBOLS, SQ. YD.
- ⑨ THERMOPLASTIC PAVEMENT MARKING LINE, 4", WHITE EDGE LINE



FILE NAME =	USER NAME = byunsh	DESIGNED -	REVISED -
c:\pwork\pwork\byunsh\d0180500\0124110-shr-plan.dgn		DRAWN -	REVISED -
PLOT SCALE = 50.0000' / IN.		CHECKED -	REVISED -
PLOT DATE = 2/3/2010		DATE -	REVISED -

**STATE OF ILLINOIS
 DEPARTMENT OF TRANSPORTATION**

IL ROUTE 59 ROADWAY PLANS			
SCALE:	SHEET NO.	OF SHEETS	STA. TO STA.

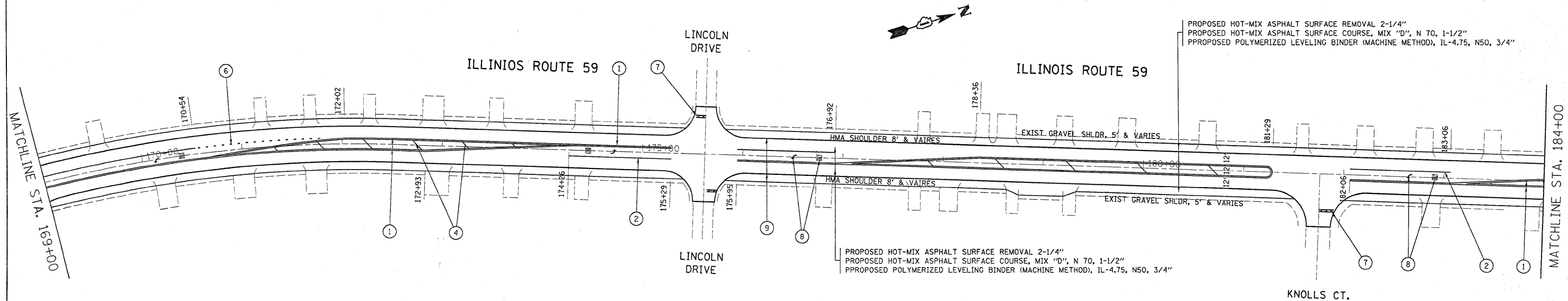
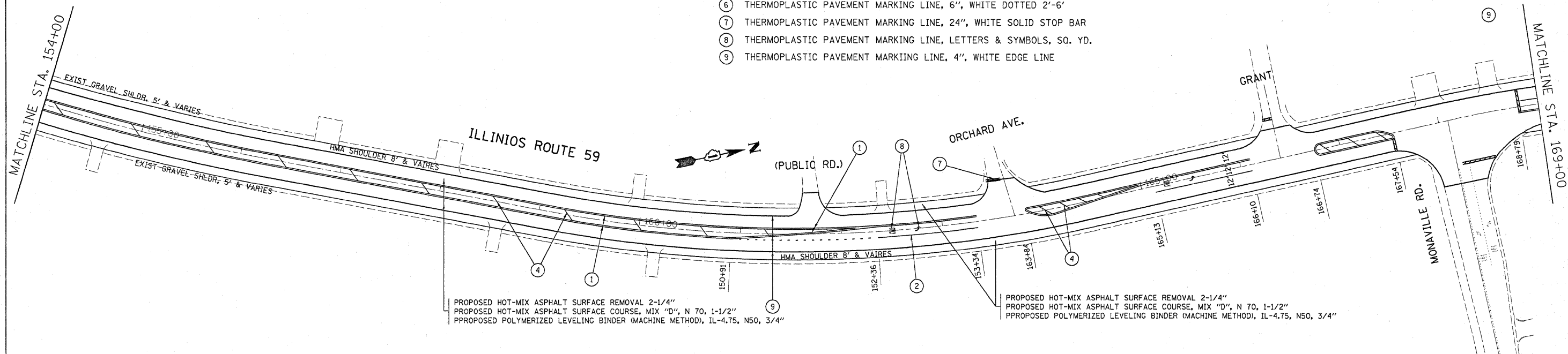
F.A.P. RTE. 104	SECTION 106 RS-5	COUNTY LAKE	TOTAL SHEETS 31	SHEET NO. 13
CONTRACT NO. 60J51				
ILLINOIS FED. AID PROJECT				

NOTE FOR ALL SIDE STREETS:
 RESURFACING LIMITS ARE AT THE RADIUS RETURNS UNLESS OTHERWISE NOTED
 -PROPOSED HOT-MIX ASPHALT SURFACE REMOVAL 2-1/4"
 -PROPOSED HOT-MIX ASPHALT SURFACE COURSE, MIX "D", N 70, 1-1/2"
 -PROPOSED POLYMERIZED LEVELING BINDER (MACHINE METHOD), IL-4.75, N50, 3/4"

NOTE:
 -FOR RAISED REFLECTIVE PAVEMENT MARKERS, REFER TO TYPICAL APPLICATIONS REISED REFLECTIVE PAVEMENT MARKERS (SNOW PLOW RESISTANT) AND DISTRICT TYPICAL PAVEMENT MARKINGS

LEGEND

- ① THERMOPLASTIC PAVEMENT MARKING LINE, 4", DOUBLE YELLOW CENTERLINE 11" C-C
- ② THERMOPLASTIC PAVEMENT MARKING LINE, 6", WHITE LEFT TURN LANE
- ③ THERMOPLASTIC PAVEMENT MARKING LINE, 4", SKIP DASH YELLOW LANE LINE 10'-40'
- ④ THERMOPLASTIC PAVEMENT MARKING LINE, 12", YELLOW DIAGONAL 45° 75' CTRS.
- ⑤ THERMOPLASTIC PAVEMENT MARKING LINE, 12", WHITE DIAGONAL 45° 8' CTRS.
- ⑥ THERMOPLASTIC PAVEMENT MARKING LINE, 6", WHITE DOTTED 2'-6'
- ⑦ THERMOPLASTIC PAVEMENT MARKING LINE, 24", WHITE SOLID STOP BAR
- ⑧ THERMOPLASTIC PAVEMENT MARKING LINE, LETTERS & SYMBOLS, SQ. YD.
- ⑨ THERMOPLASTIC PAVEMENT MARKING LINE, 4", WHITE EDGE LINE



FILE NAME =	USER NAME = bgunsh	DESIGNED -	REVISED -
c:\pwork\pwork\dot\bgunsh\d0180500\0124110-shr-plan.dgn		DRAWN -	REVISED -
PLOT SCALE = 50.0000' / 1" IN.		CHECKED -	REVISED -
PLOT DATE = 2/3/2010		DATE -	REVISED -

STATE OF ILLINOIS
 DEPARTMENT OF TRANSPORTATION

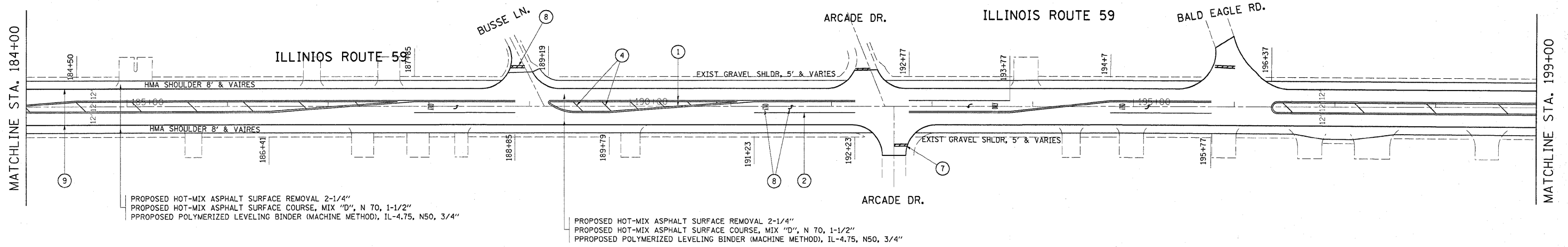
IL. ROUTE 59
 ROADWAY PLANS

SCALE: SHEET NO. OF SHEETS STA. TO STA.

F.A.P. RTE.	SECTION	COUNTY	TOTAL SHEETS	SHEET NO.
104	106 RS-5	LAKE	31	14
CONTRACT NO. 60J51				
ILLINOIS FED. AID PROJECT				

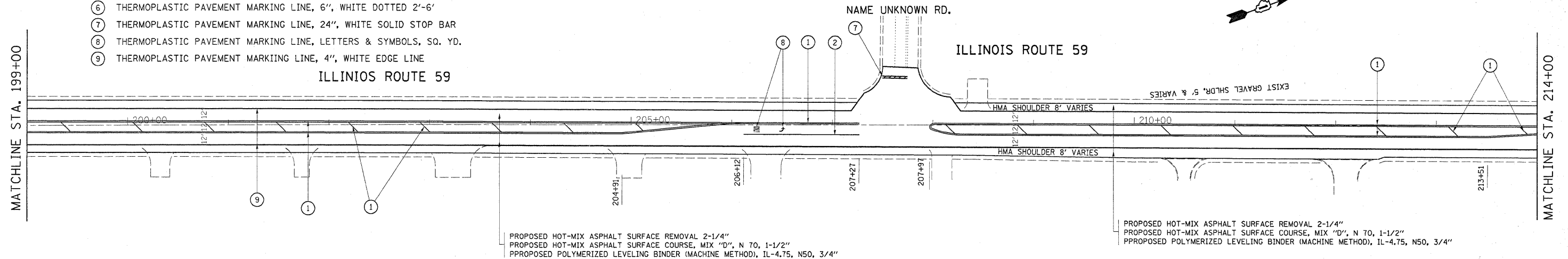
NOTE FOR ALL SIDE STREETS:
 RESURFACING LIMITS ARE AT THE RADIUS RETURNS UNLESS OTHERWISE NOTED
 -PROPOSED HOT-MIX ASPHALT SURFACE REMOVAL 2-1/4"
 -PROPOSED HOT-MIX ASPHALT SURFACE COURSE, MIX "D", N 70, 1-1/2"
 -PROPOSED POLYMERIZED LEVELING BINDER (MACHINE METHOD), IL-4.75, N50, 3/4"

NOTE:
 -FOR RAISED REFLECTIVE PAVEMENT MARKERS, REFER TO TYPICAL APPLICATIONS REISED REFLECTIVE PAVEMENT MARKERS (SNOW PLOW RESISTANT) AND DISTRICT TYPICAL PAVEMENT MARKINGS



LEGEND

- ① THERMOPLASTIC PAVEMENT MARKING LINE, 4", DOUBLE YELLOW CENTERLINE 11" C-C
- ② THERMOPLASTIC PAVEMENT MARKING LINE, 6", WHITE LEFT TURN LANE
- ③ THERMOPLASTIC PAVEMENT MARKING LINE, 4", SKIP DASH YELLOW LANE LINE 10'-40'
- ④ THERMOPLASTIC PAVEMENT MARKING LINE, 12", YELLOW DIAGONAL 45° 75' CTRS.
- ⑤ THERMOPLASTIC PAVEMENT MARKING LINE, 12", WHITE DIAGONAL 45° 8' CTRS.
- ⑥ THERMOPLASTIC PAVEMENT MARKING LINE, 6", WHITE DOTTED 2'-6'
- ⑦ THERMOPLASTIC PAVEMENT MARKING LINE, 24", WHITE SOLID STOP BAR
- ⑧ THERMOPLASTIC PAVEMENT MARKING LINE, LETTERS & SYMBOLS, SQ. YD.
- ⑨ THERMOPLASTIC PAVEMENT MARKING LINE, 4", WHITE EDGE LINE



FILE NAME =	USER NAME = byunsh	DESIGNED -	REVISED -
c:\pw_work\p1\dot\byunsh\d0180500\124110-sh1-plan.dgn		DRAWN -	REVISED -
		CHECKED -	REVISED -
		DATE -	REVISED -

**STATE OF ILLINOIS
 DEPARTMENT OF TRANSPORTATION**

IL. ROUTE 59 ROADWAY PLANS			
SCALE:	SHEET NO.	OF SHEETS	STA. TO STA.

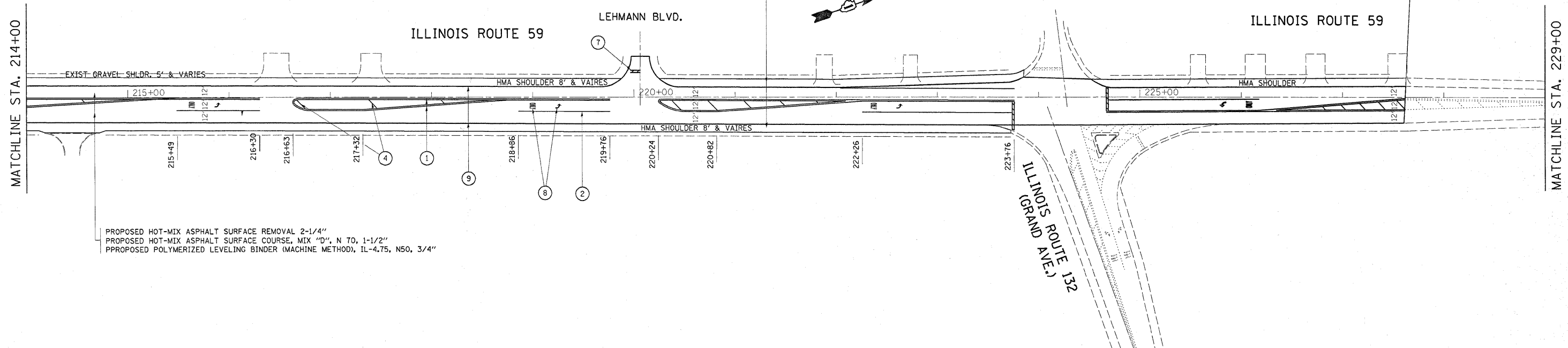
F.A.P. RTE.	SECTION	COUNTY	TOTAL SHEETS	SHEET NO.
104	106 RS-5	LAKE	31	15
CONTRACT NO. 60J51				
ILLINOIS FED. AID PROJECT				

NOTE FOR ALL SIDE STREETS:
 RESURFACING LIMITS ARE AT THE RADIUS RETURNS UNLESS OTHERWISE NOTED
 -PROPOSED HOT-MIX ASPHALT SURFACE REMOVAL 2-1/4"
 -PROPOSED HOT-MIX ASPHALT SURFACE COURSE, MIX "D", N 70, 1-1/2"
 -PROPOSED POLYMERIZED LEVELING BINDER (MACHINE METHOD), IL-4.75, N50, 3/4"

NOTE:
 -FOR RAISED REFLECTIVE PAVEMENT MARKERS, REFER TO TYPICAL APPLICATIONS REISED REFLECTIVE PAVEMENT MARKERS (SNOW PLOW RESISTANT) AND DISTRICT TYPICAL PAVEMENT MARKINGS

PROPOSED HOT-MIX ASPHALT SURFACE REMOVAL 2-1/4"
 PROPOSED HOT-MIX ASPHALT SURFACE COURSE, MIX "D", N 70, 1-1/2"
 PROPOSED POLYMERIZED LEVELING BINDER (MACHINE METHOD), IL-4.75, N50, 3/4"
 WEST ENTRANCE DRIVE

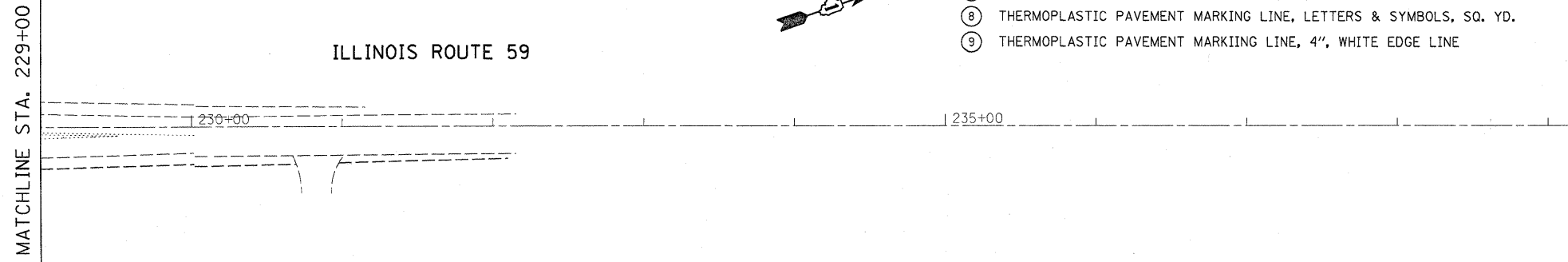
IMPROVEMENT ENDS
 STA 227 + 62.4



PROPOSED HOT-MIX ASPHALT SURFACE REMOVAL 2-1/4"
 PROPOSED HOT-MIX ASPHALT SURFACE COURSE, MIX "D", N 70, 1-1/2"
 PROPOSED POLYMERIZED LEVELING BINDER (MACHINE METHOD), IL-4.75, N50, 3/4"

LEGEND

- ① THERMOPLASTIC PAVEMENT MARKING LINE, 4", DOUBLE YELLOW CENTERLINE 11" C-C
- ② THERMOPLASTIC PAVEMENT MARKING LINE, 6", WHITE LEFT TURN LANE
- ③ THERMOPLASTIC PAVEMENT MARKING LINE, 4", SKIP DASH YELLOW LANE LINE 10'-40'
- ④ THERMOPLASTIC PAVEMENT MARKING LINE, 12", YELLOW DIAGONAL 45° 75' CTRS.
- ⑤ THERMOPLASTIC PAVEMENT MARKING LINE, 12", WHITE DIAGONAL 45° 8' CTRS.
- ⑥ THERMOPLASTIC PAVEMENT MARKING LINE, 6", WHITE DOTTED 2'-6'
- ⑦ THERMOPLASTIC PAVEMENT MARKING LINE, 24", WHITE SOLID STOP BAR
- ⑧ THERMOPLASTIC PAVEMENT MARKING LINE, LETTERS & SYMBOLS, SQ. YD.
- ⑨ THERMOPLASTIC PAVEMENT MARKING LINE, 4", WHITE EDGE LINE



FILE NAME =	USER NAME = byunsh	DESIGNED -	REVISED -
c:\pw\work\pwwork\byunsh\d0180500\0124110-shs\plan.dgn		DRAWN -	REVISED -
		CHECKED -	REVISED -
		DATE -	REVISED -

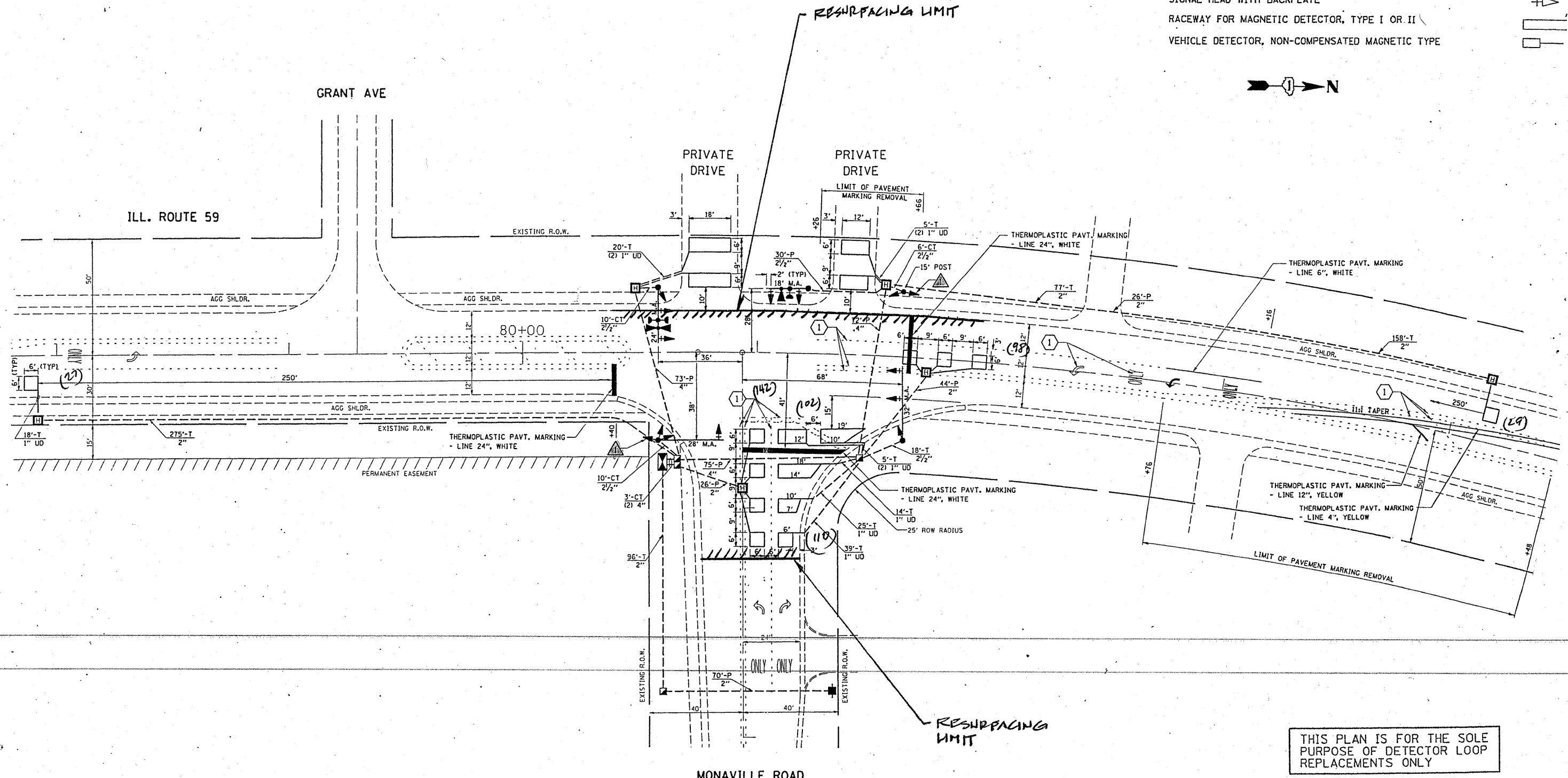
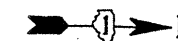
**STATE OF ILLINOIS
 DEPARTMENT OF TRANSPORTATION**

IL. ROUTE 59 ROADWAY PLANS			
SCALE:	SHEET NO. OF SHEETS	STA. TO STA.	

F.A.P. RTE.	SECTION	COUNTY	TOTAL SHEETS	SHEET NO.
104	106 RS-5	LAKE	31	16
CONTRACT NO. 60J51				
ILLINOIS FED. AID PROJECT				

TRAFFIC SIGNAL LEGEND

	PROPOSED	EXISTING
DETECTOR LOOP		
SIGNAL HEAD		
G.S. CONDUIT IN TRENCH OR PUSHED		
SIGNAL HEAD WITH BACKPLATE		
RACEWAY FOR MAGNETIC DETECTOR, TYPE I OR II		
VEHICLE DETECTOR, NON-COMPENSATED MAGNETIC TYPE		



THIS PLAN IS FOR THE SOLE PURPOSE OF DETECTOR LOOP REPLACEMENTS ONLY

REPLACE ALL DETECTOR LOOPS AS SHOWN (WITHIN THE RESURFACING LIMITS)

CODE	QUANTITY	UNIT	ITEM
86600600	508	FOOT	DETECTOR LOOP, REPLACEMENT

FILE NAME =	USER NAME = konthaphixayba	DESIGNED - BCK	REVISED -
ca:\pwork\KAPWIDOT\KANTHAPHIXAYBC\081126	4\traffic.legend.v7.dgn	DRAWN - BCK	REVISED -
	PLOT SCALE = 3/4" = 1' (N)	CHECKED - DAD	REVISED -
	PLOT DATE = 4/3/2009	DATE -	REVISED -

**STATE OF ILLINOIS
DEPARTMENT OF TRANSPORTATION**

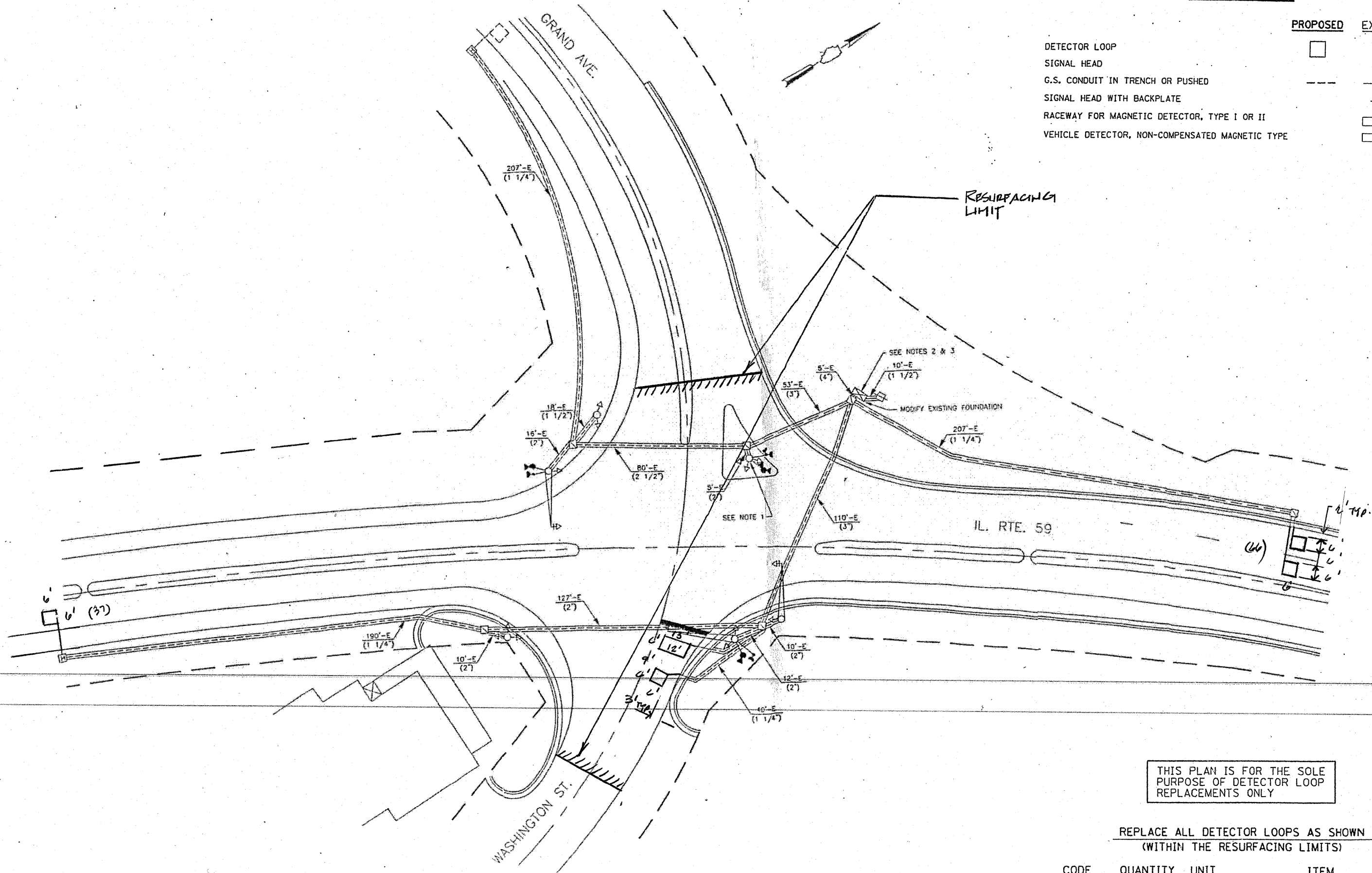
**DISTRICT ONE - DETECTOR LOOP REPLACEMENT
ILL. ROUTE 59 @ MONAVILLE RD.**

F.A. RTE.	SECTION	COUNTY	TOTAL SHEETS	SHEET NO.
		LAKE	31	17
FED. ROAD DIST. NO.		ILLINOIS FED. AID PROJECT		
CONTRACT NO.				

SCALE: NONE SHEET NO. OF SHEETS STA. TO STA.

TRAFFIC SIGNAL LEGEND

	PROPOSED	EXISTING
DETECTOR LOOP		
SIGNAL HEAD		
G.S. CONDUIT IN TRENCH OR PUSHED		
SIGNAL HEAD WITH BACKPLATE		
RACEWAY FOR MAGNETIC DETECTOR, TYPE I OR II		
VEHICLE DETECTOR, NON-COMPENSATED MAGNETIC TYPE		



THIS PLAN IS FOR THE SOLE PURPOSE OF DETECTOR LOOP REPLACEMENTS ONLY

REPLACE ALL DETECTOR LOOPS AS SHOWN (WITHIN THE RESURFACING LIMITS)

CODE	QUANTITY	UNIT	ITEM
86600600	173	FOOT	DETECTOR LOOP, REPLACEMENT

FILE NAME =	USER NAME = konthapixaybo	DESIGNED - BCK	REVISED -
at\pwork\PW100T\KANTHAPHIXAYBC\01126	4\tr\of\ic.legend.v7.dgn	DRAWN - BCK	REVISED -
	PLOT SCALE = 3/4" = 1' IN.	CHECKED - OAD	REVISED -
	PLOT DATE = 4/3/2009	DATE -	REVISED -

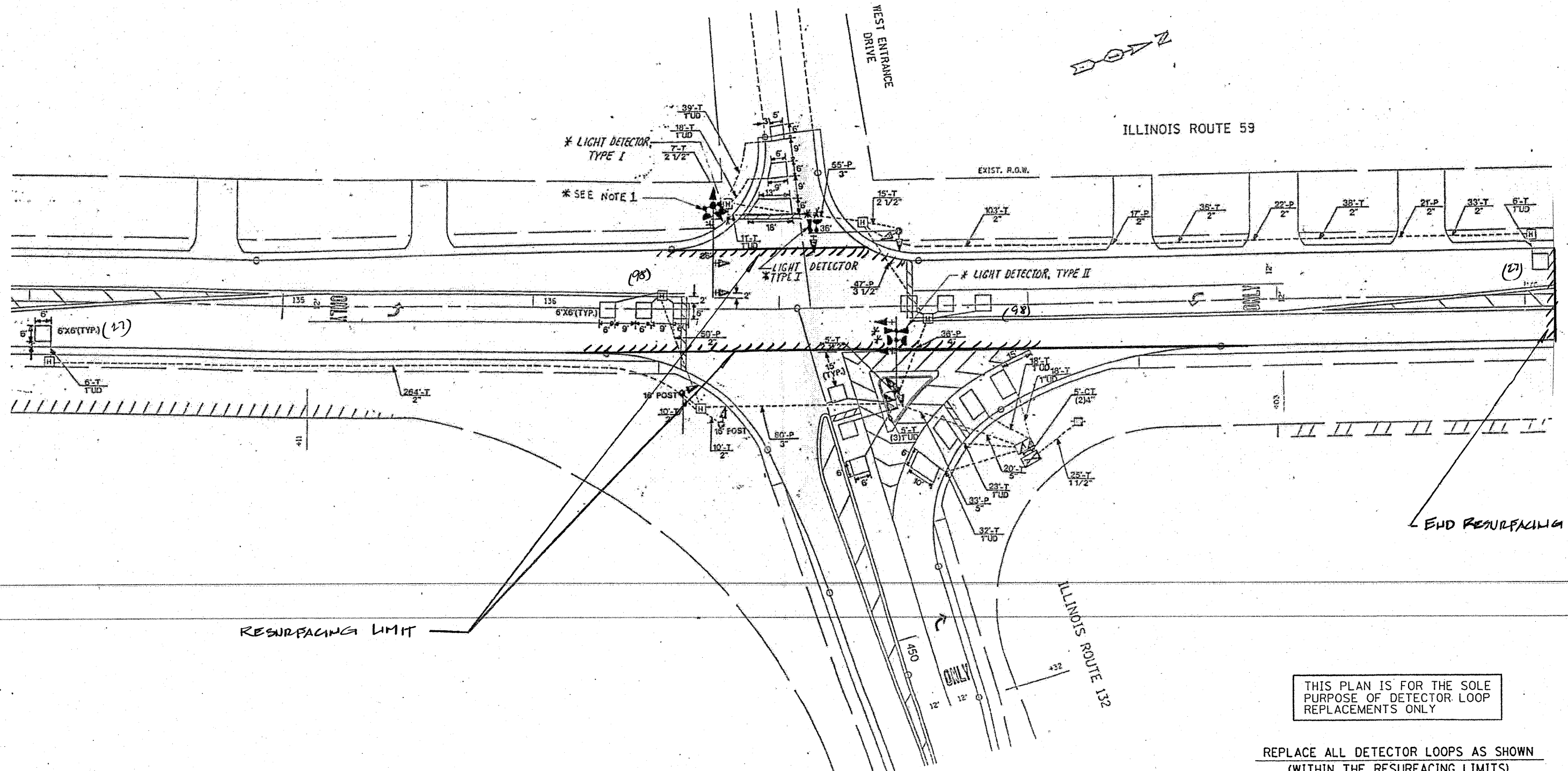
**STATE OF ILLINOIS
DEPARTMENT OF TRANSPORTATION**

**DISTRICT ONE - DETECTOR LOOP REPLACEMENT
ILL. ROUTE 59 @ GRAND AVENUE**

F.A. RTE.	SECTION	COUNTY	TOTAL SHEETS	SHEET NO.
		LAKE	31	18
CONTRACT NO.				
SCALE: NONE SHEET NO. OF SHEETS STA. TO STA. FED. ROAD DIST. NO. ILLINOIS FED. AID PROJECT				

TRAFFIC SIGNAL LEGEND

	PROPOSED	EXISTING
DETECTOR LOOP		
SIGNAL HEAD		
G.S. CONDUIT IN TRENCH OR PUSHED		
SIGNAL HEAD WITH BACKPLATE		
RACEWAY FOR MAGNETIC DETECTOR, TYPE I OR II		
VEHICLE DETECTOR, NON-COMPENSATED MAGNETIC TYPE		



THIS PLAN IS FOR THE SOLE PURPOSE OF DETECTOR LOOP REPLACEMENTS ONLY

REPLACE ALL DETECTOR LOOPS AS SHOWN (WITHIN THE RESURFACING LIMITS)

CODE	QUANTITY	UNIT	ITEM
86600600	250	FOOT	DETECTOR LOOP, REPLACEMENT

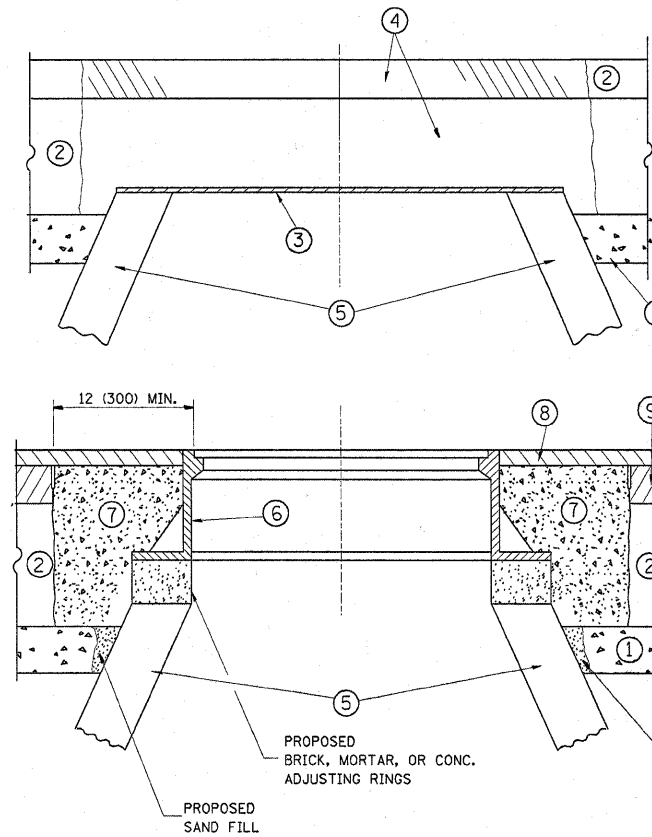
FILE NAME =	USER NAME = kenthoiphaybc	DESIGNED - BCK	REVISED -
ct\pwork\PHIDOT\KANTHAPHIXAYBC\01126	4\traffic\legend.v7.dgn	DRAWN - BCK	REVISED -
	PLOT SCALE = 3/8" = 1' IN.	CHECKED - DAD	REVISED -
	PLOT DATE = 4/3/2009	DATE -	REVISED -

**STATE OF ILLINOIS
DEPARTMENT OF TRANSPORTATION**

**DISTRICT ONE - DETECTOR LOOP REPLACEMENT
ILL. ROUTE 59 @ ILL. ROUTE 132**

F.A. RTE.	SECTION	COUNTY	TOTAL SHEETS	SHEET NO.
		LAKE	31	19
CONTRACT NO.				
FED. ROAD DIST. NO. [ILLINOIS] FED. AID PROJECT				

SCALE: NONE SHEET NO. OF SHEETS STA. TO STA.



CONSTRUCTION PROCEDURES

STAGE 1 (BEFORE PAVEMENT MILLING)

- A) REMOVE A MINIMUM OF 12 (300) OF THE PAVEMENT FROM AROUND THE STRUCTURE.
- B) REMOVE THE EXISTING FRAME AND LID FROM THE STRUCTURE.
- C) COVER THE STRUCTURE OPENING WITH A 36 (900) DIAMETER METAL PLATE.
- D) BACKFILL WITH CRUSHED STONE AND A MINIMUM 1 1/2 (40) THICK HMA SURFACE MIX APPROVED BY THE ENGINEER.

STAGE 2 (AFTER PAVEMENT MILLING)

- A) REMOVE THE HMA SURFACE MIX AND CRUSHED STONE.
- B) INSTALL THE FRAME AND LID; ADJUST THE FRAME TO ITS FINAL SURFACE ELEVATION.
- C) THE SURROUNDING SPACE SHALL BE FILLED WITH CLASS SI CONCRETE, OR HMA SURFACE COURSE OR HMA BINDER COURSE TO THE ELEVATION OF THE SURFACE OF THE EXISTING BASE COURSE OR THE BINDER COURSE.

THE PROCEDURE EXPLAINED ABOVE SHALL CONFORM TO THE APPLICABLE PORTIONS OF SECTIONS 353, 406, 602, AND 603 OF THE STANDARD SPECIFICATIONS.

LEGEND

- ① SUB-BASE GRANULAR MATERIAL
- ② EXISTING PAVEMENT
- ③ 36 (900) DIAMETER METAL PLATE
- ④ PROPOSED CRUSHED STONE AND HMA SURFACE MIX
- ⑤ EXISTING STRUCTURE
- ⑥ FRAME AND LID (SEE NOTES)
- ⑦ CLASS SI CONCRETE, HMA SURFACE COURSE OR HMA BINDER COURSE
- ⑧ PROPOSED HMA SURFACE COURSE
- ⑨ PROPOSED HMA BINDER COURSE

NOTES:

EXISTING BROKEN FRAMES AND LIDS SHALL BE REMOVED AND DISPOSED OF BY THE CONTRACTOR AND SHALL BE REPLACED AS DIRECTED BY THE ENGINEER. REPLACEMENT FRAMES AND LIDS WILL BE PAID FOR IN ACCORDANCE WITH ARTICLE 109.04 OF THE STANDARD SPECIFICATIONS UNLESS A SEPARATE PAY ITEM HAS BEEN PROVIDED.

IF THE EXISTING LIDS ARE OPEN, THE FRAME WILL BE ADJUSTED TO THE ELEVATION OF THE MILLED PAVEMENT SURFACE PRIOR TO THE MILLING OPERATION. THE FRAME WILL NOT BE REMOVED AND COVERED BY THE METAL PLATE.

CITY OF CHICAGO CASTINGS ARE THE PROPERTY OF THE CITY AND THE CONTRACTOR SHALL NOTIFY THE CITY FOR REMOVAL AND DISPOSITION OF THE CASTINGS.

THE METAL PLATE USED TO COVER THE STRUCTURE SHALL REMAIN THE PROPERTY OF THE CONTRACTOR.

WHEN STRUCTURES ARE TO BE ADJUSTED OR RECONSTRUCTED, THE LOWERING AND RAISING OF THE FRAMES AND LIDS WILL NOT BE PAID FOR SEPARATELY BUT WILL BE INCLUDED IN THE COST OF THE CORRESPONDING PAY ITEM.

LOCATION OF STRUCTURES:

THE CONTRACTOR WILL BE REQUIRED TO KEEP A RECORD OF THE LOCATIONS OF THE BURIED STRUCTURES ACCORDING TO THE STATION AND DISTANCE LEFT OR RIGHT OF THE CENTERLINE OF PAVEMENT. UPON COMPLETION OF THE WORK, THE CONTRACTOR WILL DELIVER THE RECORD TO THE ENGINEER.

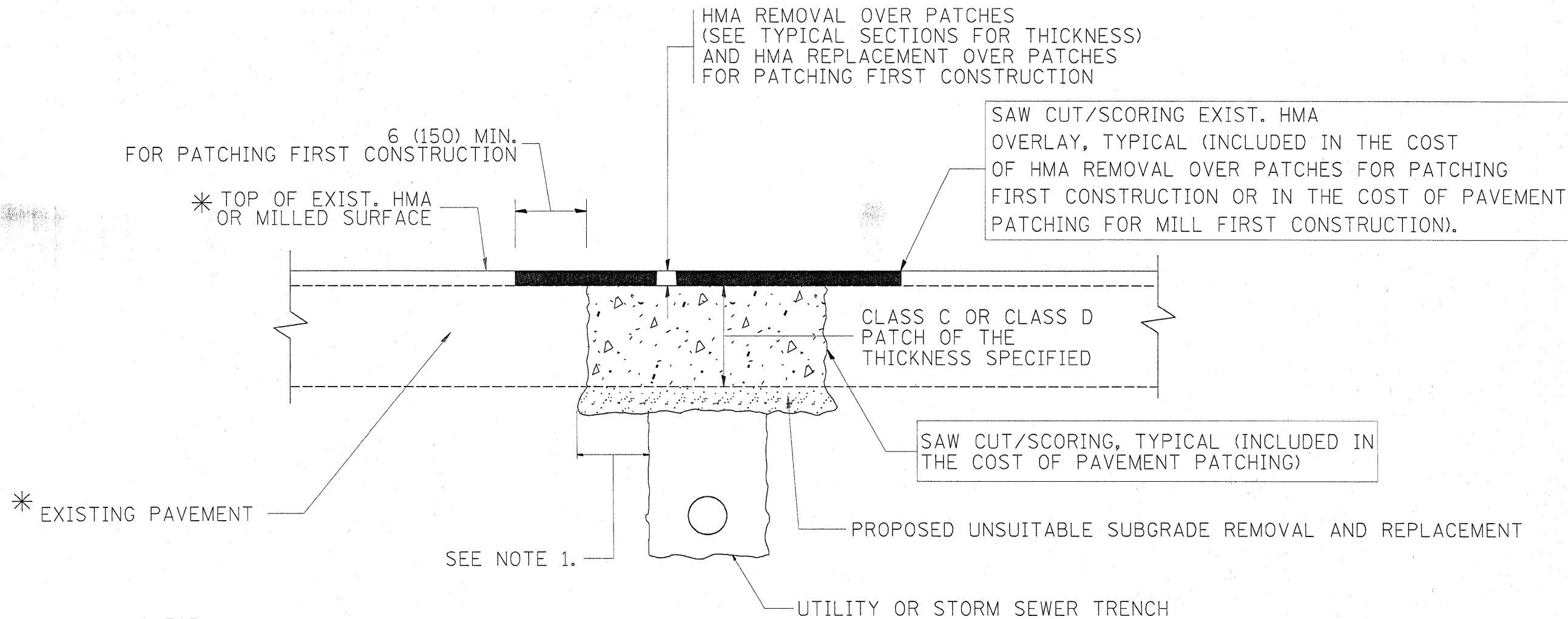
BASIS OF PAYMENT: THIS WORK WILL BE PAID FOR AT THE CONTRACT UNIT PRICE PER EACH FOR "FRAMES AND LIDS TO BE ADJUSTED, SPECIAL"

NEW FRAMES AND LIDS, WHEN SPECIFIED, WILL BE PAID FOR SEPARATELY.

DETAILS FOR FRAMES AND LIDS ADJUSTMENT WITH MILLING

ALL DIMENSIONS ARE IN INCHES (MILLIMETERS) UNLESS OTHERWISE SHOWN

FILE NAME =	USER NAME = byunsh	DESIGNED - R. SHAH	REVISED - R. SHAH 03-10-95	STATE OF ILLINOIS DEPARTMENT OF TRANSPORTATION	DETAILS FOR FRAMES AND LIDS ADJUSTMENT WITH MILLING	F.A.P. RTE.	SECTION	COUNTY	TOTAL SHEETS	SHEET NO.
c:\pwork\pwork\byunsh\d0180500\DistStdgn	DRAWN -	REVISED - A. ABBAS 03-21-97	104			106 RS-5	LAKE	31	20	
PLOT SCALE = 50.0000' / IN.	CHECKED -	REVISED - R. WIEDEMAN 05-14-04	BD600-03 (BD-8)			CONTRACT NO. 60J51				
PLOT DATE = 2/3/2010	DATE - 10-25-94	REVISED - R. BORO 01-01-07	FED. ROAD DIST. NO. 1 [ILLINOIS] FED. AID PROJECT							
					SCALE: NONE	SHEET NO. 1 OF 1 SHEETS	STA. TO STA.			



* SEE TYPICAL SECTIONS FOR THICKNESS AND MATERIALS

NOTES:

1. THE WIDTH OF THE FULL DEPTH PATCH OVER A TRENCH SHALL BE 12 (300) WIDER ON EACH SIDE OF THE TRENCH.
2. FOR METHOD OF MEASUREMENT AND BASIS OF PAYMENT, SEE RECURRING SPECIAL PROVISION "PATCHING WITH HOT-MIX ASPHALT OVERLAY REMOVAL".

SEQUENCE OF CONSTRUCTION (PATCHING FIRST)

1. REMOVE THE EXISTING HMA MATERIAL OVER THE AREA TO BE PATCHED.
2. REMOVE AND REPLACE WITH CLASS C OR D PATCH.
3. REPLACE HMA MATERIAL OVER THE AREA TO BE PATCHED.

SEQUENCE OF CONSTRUCTION (MILLING FIRST)

1. MILL HMA FIRST IF THERE IS AT LEAST 4 1/2 INCHES OR MORE OF HMA MATERIAL ON TOP OF THE EXISTING PAVEMENT OR IF THE PAVEMENT IS FULL DEPTH HMA. A MINIMUM OF 2 INCHES OF HMA MATERIAL SHALL BE IN PLACE AFTER MILLING.
2. REMOVE AND REPLACE WITH FULL DEPTH CLASS D PATCHES TO TOP OF MILLED SURFACE.

ALL DIMENSIONS ARE IN INCHES (MILLIMETERS) UNLESS OTHERWISE SHOWN.

FILE NAME =	USER NAME = byunsh	DESIGNED - R. SHAH	REVISED - A. ABBAS 04-27-98	STATE OF ILLINOIS DEPARTMENT OF TRANSPORTATION	PAVEMENT PATCHING FOR HMA SURFACED PAVEMENT	F.A.P. RTE.	SECTION	COUNTY	TOTAL SHEETS	SHEET NO.
c:\pwork\pwork\byunsh\d0180500\01st5	edgn	DRAWN -	REVISED - R. BORO 01-01-07			104	106 RS-5	LAKE	31	21
	PLOT SCALE = 50.0000' / IN.	CHECKED -	REVISED - R. BORO 09-04-07			BD400-04 (BD-22)		CONTRACT NO.		60J51
	PLOT DATE = 2/3/2010	DATE - 10-25-94	REVISED - K. ENG 10-27-08			SCALE: NONE	SHEET NO. 1 OF 1 SHEETS	STA. TO STA.	FED. ROAD DIST. NO. 1 ILLINOIS FED. AID PROJECT	

VARIABLE - TO MEET EXISTING DIMENSIONS AND FIELD CONDITIONS (SEE NOTE ②)

PROP. CONC. CURB OR CURB AND GUTTER REPLACEMENT IN ACCORDANCE WITH STATE STANDARD 606001. (SEE NOTE ②)

SAW CUT FULL DEPTH - INCLUDED IN THE COST OF SIDEWALK, DRIVEWAY OR MEDIAN SURFACE REMOVAL PAY ITEM.

SEE STATE STANDARD 606001
EXISTING OR PROPOSED HMA SURFACE (IF APPLICABLE)

18" (450) MAX.

1/4" (5) **

EXISTING SIDEWALK, DRIVEWAY, MEDIAN SURFACE, SOD OR GROUND.

PROPOSED SIDEWALK, DRIVEWAY PAVEMENT, MEDIAN SURFACE OR SODDING SALT TOLERANT WITH TOP SOIL, 4" (100) SOD RESTORATION (SEE NOTE ①).

EXISTING CONCRETE PAVEMENT, CONCRETE BASE COURSE OR FLEXIBLE PAVEMENT

T/2 *

SUITABLE BACKFILL MATERIAL (INCLUDED IN THE COST OF CURB OR CURB AND GUTTER REMOVAL AND REPLACEMENT)

3" (75) MIN.

PROPOSED 3/4" (20) PREFORMED EXPANSION JOINT AT CONCRETE SIDEWALKS, DRIVEWAYS, AND MEDIANS. (INCLUDED IN THE COST OF CURB OR CURB AND GUTTER REMOVAL AND REPLACEMENT.)

* 3" (75) MINIMUM FROM TOP AND BOTTOM OF THE CONCRETE PAVEMENT OR BASE COURSE.

** IF THE FINAL SURFACE OF THE PAVEMENT IS CONCRETE, THE GUTTER IS TO BE FLUSH WITH THE PAVEMENT.

NOTE: ① SIDEWALK, DRIVEWAY PAVEMENT OR MEDIAN SURFACE SHALL BE SIMILAR TO THE MATERIAL BEING REMOVED AND WILL BE PAID FOR SEPARATELY.

SODDING, SALT TOLERANT AND TOP SOIL, FURNISH AND PLACE 4" WILL BE PAID FOR SEPARATELY,

② FERTILIZER FOR THE PLACEMENT OF THE SOD IS NOT REQUIRED

③ CURB OR CURB AND GUTTER REPLACEMENT SHALL MATCH THE SHAPE OF THE EXISTING CURB OR CURB AND GUTTER UNLESS OTHERWISE SPECIFIED.

④ FOR CURB OR CURB AND GUTTER REMOVAL AND REPLACEMENT ADJACENT TO FLEXIBLE PAVEMENT DELETE EPOXY COATED TIE BARS.

⑤ LONGITUDINAL BARS, IF ENCOUNTERED IN THE EXISTING CURB OR CURB AND GUTTER, ARE NOT TO BE REPLACED. CUTTING AND REMOVING LONGITUDINAL BARS SHALL BE INCLUDED IN THE COST OF CURB OR CURB AND GUTTER REMOVAL AND REPLACEMENT.

⑥ THE COST OF HMA SURFACE REMOVAL IN THE EXISTING GUTTER FLAG SHALL BE INCLUDED IN THE COST OF THE CURB AND GUTTER REMOVAL AND REPLACEMENT.

⑦ THE REMOVAL AND REPLACEMENT OF THE EXISTING CURB OR CURB AND GUTTER SHALL BE DONE IN ACCORDANCE WITH THE APPLICABLE PORTIONS OF SECTION 440 AND 606 OF THE STANDARD SPECIFICATIONS.

⑧ THE LOCATIONS OF REMOVAL AND REPLACEMENT OF EXISTING CURB OR CURB AND GUTTER SHALL BE DETERMINED BY THE RESIDENT ENGINEER AT THE TIME OF CONSTRUCTION.

UNSUITABLE SUB-BASE MATERIAL TO BE REMOVED, IF DIRECTED BY THE ENGINEER, SHALL BE REPLACED WITH EITHER SUB-BASE GRANULAR MATERIAL, TYPE B OR ADDITIONAL THICKNESS OF CONCRETE.

REMOVAL AND REPLACEMENT 4" (100) OR LESS IS INCLUDED IN THE COST OF CURB OR CURB AND GUTTER REMOVAL AND REPLACEMENT.

REMOVAL AND REPLACEMENT IN EXCESS OF 4" (100) WILL BE PAID FOR IN ACCORDANCE WITH ARTICLE 109.04 OF THE STANDARD SPECIFICATIONS.

PROPOSED #6 (20) EPOXY COATED TIE BARS 24" (600) LONG AT 24" (600) CENTERS WILL NOT BE PAID FOR SEPARATELY. DELETE EPOXY COATED TIE BARS IF EXISTING TIE BARS ARE USUABLE AS DETERMINED BY THE ENGINEER. (SEE NOTE ③).

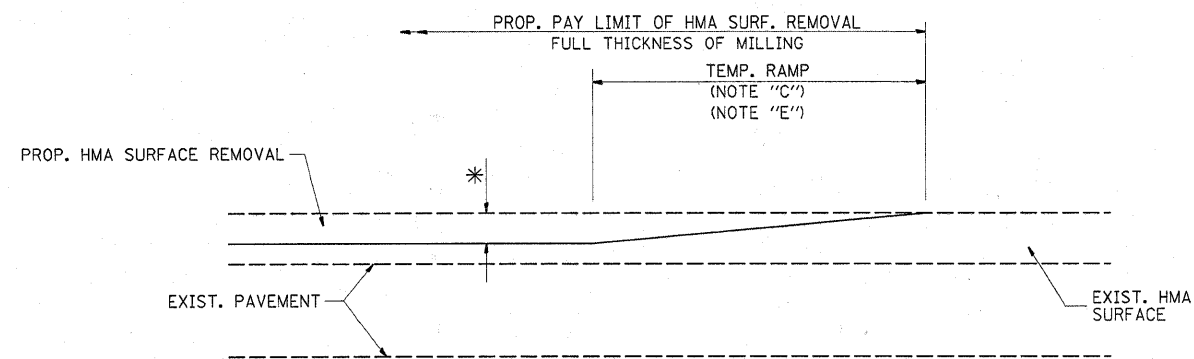
BASIS OF PAYMENT:

THIS WORK WILL BE PAID FOR AT THE CONTRACT UNIT PRICE PER FOOT (METER) FOR "CURB REMOVAL AND REPLACEMENT" OR "COMBINATION CONCRETE CURB AND GUTTER REMOVAL AND REPLACEMENT".

CURB OR CURB AND GUTTER REMOVAL AND REPLACEMENT

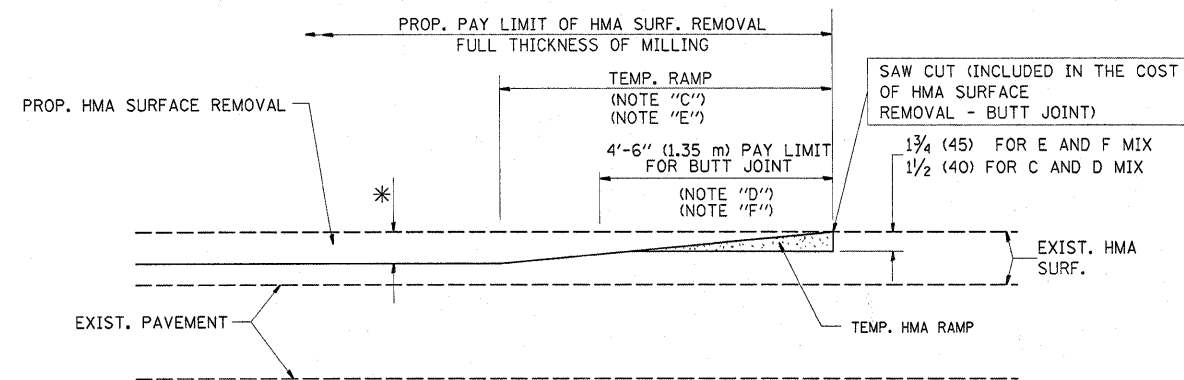
ALL DIMENSIONS ARE IN INCHES (MILLIMETERS) UNLESS OTHERWISE SHOWN.

FILE NAME =	USER NAME = byjunsh	DESIGNED - A. HOUSEH	REVISED - R. SHAH 10-03-96	STATE OF ILLINOIS DEPARTMENT OF TRANSPORTATION	CURB OR CURB AND GUTTER REMOVAL AND REPLACEMENT	F.A.P. RTE.	SECTION	COUNTY	TOTAL SHEETS	SHEET NO.
c:\pw_work\pwr\dot\byjunsh\01180500\01stS	hdgn	DRAWN - A. ABBAS 03-21-97	REVISED - M. GOMEZ 01-22-01			104	106 RS-5	LAKE	31	22
	PLOT SCALE = 50.0000' / IN.	CHECKED -	REVISED - R. BORO 12-15-09			BD600-06 (BD-24)		CONTRACT NO. 60J51		
	PLOT DATE = 2/3/2010	DATE - 03-11-94				SCALE: NONE SHEET NO. 1 OF 1 SHEETS STA. TO STA.		FED. ROAD DIST. NO. 1 ILLINOIS FED. AID PROJECT		



MILLED TEMPORARY RAMP
(FOR BUTT JOINT AND HMA TAPER SEE DETAIL BELOW)

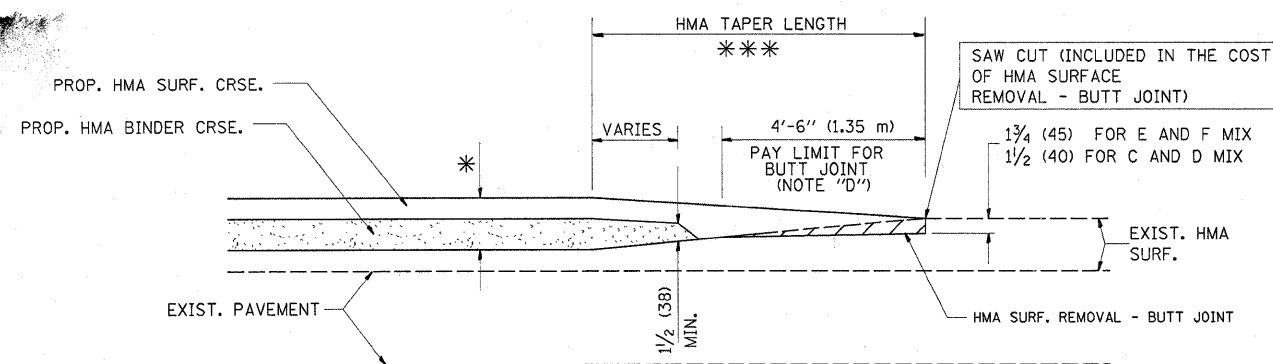
OPTION 1



HMA CONSTRUCTED TEMPORARY RAMP
(FOR BUTT JOINT AND HMA TAPER SEE DETAIL BELOW)

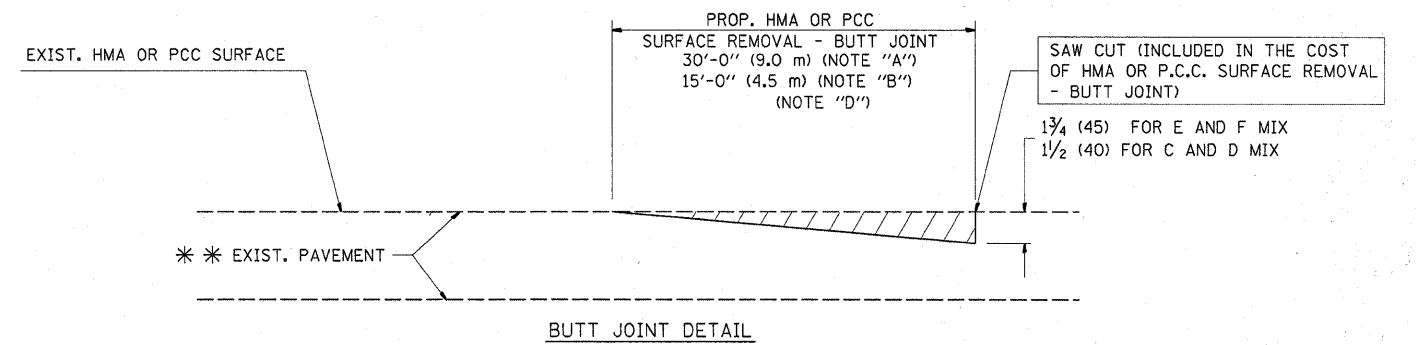
OPTION 2

TYPICAL TEMPORARY RAMP

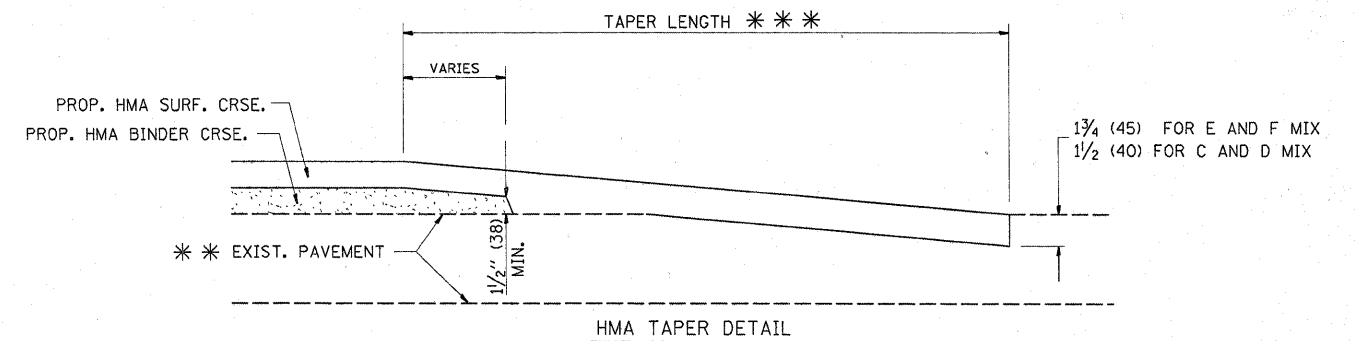


BUTT JOINT AND
HMA TAPER

**TYPICAL BUTT JOINT AND HMA TAPER
FOR MILLING AND RESURFACING**



BUTT JOINT DETAIL



HMA TAPER DETAIL

**TYPICAL BUTT JOINT AND HMA TAPER
FOR RESURFACING ONLY**

*** PC CONCRETE, HMA OR HMA RESURFACED PAVEMENT.

NOTES

- A: MAINLINE ROADWAYS AND MAJOR SIDE ROADS.
- B: MINOR SIDE ROADS.
- C: THE TEMP. RAMP SHALL BE CONSTRUCTED IMMEDIATELY UPON REMOVAL OF THE EXISTING HMA SURFACE.
- D: THE BUTT JOINT SHALL BE CONSTRUCTED IMMEDIATELY PRIOR TO PLACING THE PROPOSED HMA COURSES.
- E: TAPER THE TEMP. RAMP AT A RATE OF 3'-0" (900 mm) PER 1 INCH (25 mm) OF MILLING THICKNESS.
- F: INSTALLATION AND REMOVAL OF THE 4'-6" (1.35 m) TEMP. RAMP IS INCLUDED IN COST OF HMA SURFACE REMOVAL - BUTT JOINT
- G: SEE ARTICLE 406.08 AND 406.14 OF THE STANDARD SPECIFICATIONS FOR "HMA AND/OR PCC SURFACE REMOVAL, BUTT JOINT".
- * SEE TYPICAL SECTIONS FOR MILLING THICKNESS.
- *** 20'-0" (6.1 m) PER 1 (25) RESURFACING (NOTE "A")
10'-0" (3.0 m) PER 1 (25) RESURFACING (NOTE "B")

BASIS OF PAYMENT:

THE BUTT JOINT WILL BE PAID FOR AT THE CONTRACT UNIT PRICE PER SQUARE YARD (SQUARE METER) FOR "HOT-MIX ASPHALT SURFACE REMOVAL - BUTT JOINT" OR FOR "PORTLAND CEMENT CONCRETE SURFACE REMOVAL - BUTT JOINT".

ALL DIMENSIONS ARE IN INCHES (MILLIMETERS) UNLESS OTHERWISE SHOWN.

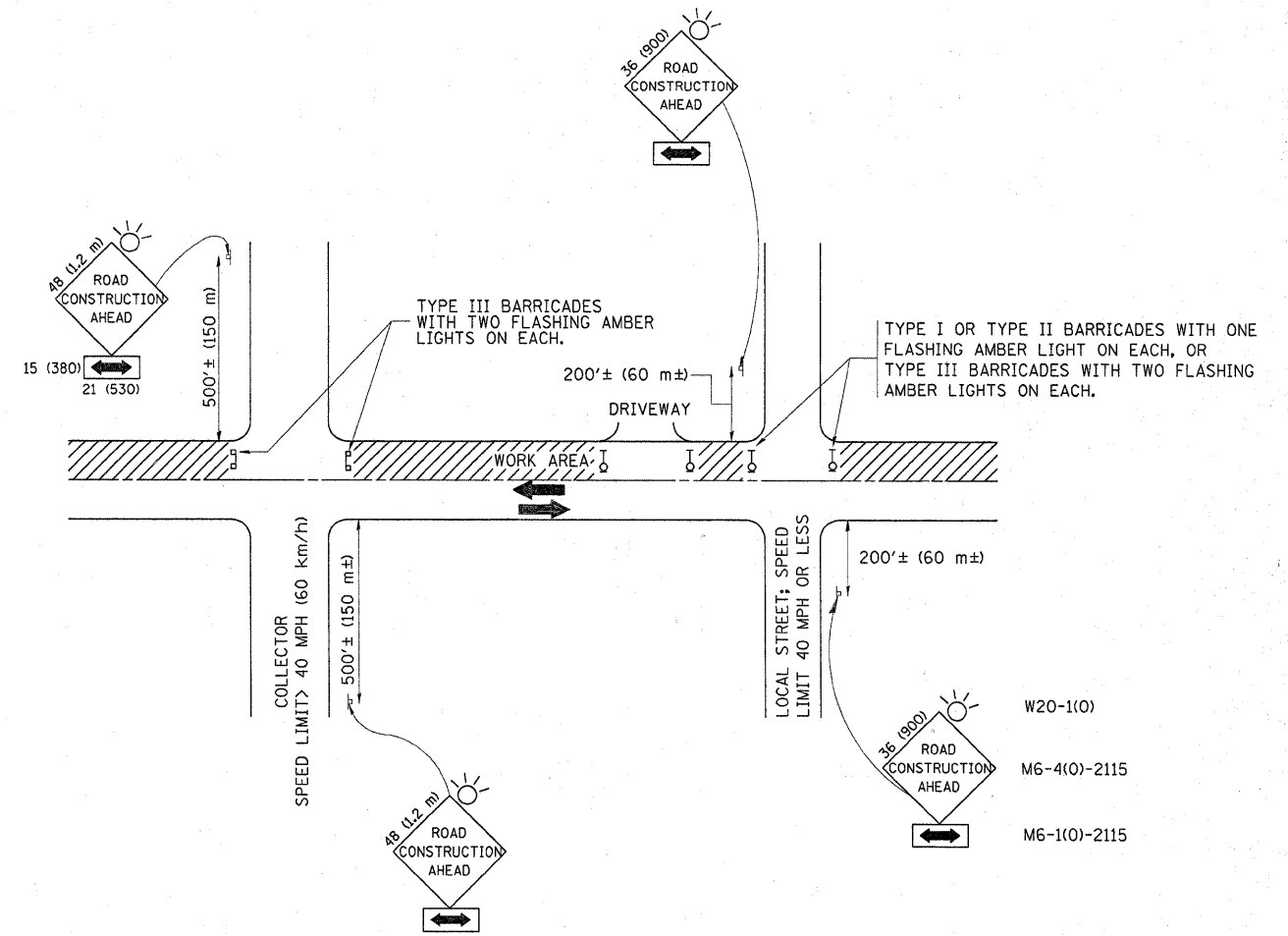
FILE NAME =	USER NAME = byunsh	DESIGNED - M. DE YONG	REVISED - R. SHAH 10-25-94
c:\pwork\pwork\byunsh\180500\01st5	dwg	DRAWN -	REVISED - A. ABBAS 03-21-97
PLOT SCALE = 50.0000' / IN.	CHECKED -	DATE - 06-13-90	REVISED - M. GOMEZ 04-06-01
PLOT DATE = 2/3/2010			REVISED - R. BORO 01-01-07

**STATE OF ILLINOIS
DEPARTMENT OF TRANSPORTATION**

**BUTT JOINT AND
HMA TAPER DETAILS**

SCALE: NONE SHEET NO. 1 OF 1 SHEETS STA. TO STA.

F.A.P. RTE.	SECTION	COUNTY	TOTAL SHEETS	SHEET NO.
104	106 RS-5	LAKE	31	23
BD400-05 BD32			CONTRACT NO. 60J51	
FED. ROAD DIST. NO. 1 ILLINOIS FED. AID PROJECT				



TRAFFIC CONTROL AND PROTECTION FOR SIDE ROADS, INTERSECTIONS, AND DRIVEWAYS

NOTES:

- A. FOR NO LANE RESTRICTION ON THE SIDE ROAD OR DRIVEWAYS
 1. SIDE ROAD WITH A SPEED LIMIT OF 40 MPH (60 km/h) OR LESS AS SHOWN ON THE DRAWING AND AS DIRECTED BY THE ENGINEER:
 - a) ONE ROAD CONSTRUCTION AHEAD SIGN 36 x 36 (900x900) WITH A FLASHER AND FLAG MOUNTED ON IT APPROXIMATELY 200' (60 m) IN ADVANCE OF THE MAIN ROUTE.
 - b) THE CLOSED PORTION OF THE MAIN ROUTE SHALL BE PROTECTED BY BLOCKING WITH TYPE I, TYPE II OR TYPE III BARRICADES, 1/3 OF THE CROSS SECTION OF THE CLOSED PORTION.
 2. SIDE ROAD WITH A SPEED LIMIT GREATER THAN 40 MPH (60 km/h) AS SHOWN ON THE DRAWING AND AS DIRECTED BY THE ENGINEER:
 - a) ONE ROAD CONSTRUCTION AHEAD SIGN 48 x 48 (1.2 m x 1.2 m) WITH A FLASHER MOUNTED ON IT APPROXIMATELY 500' (150 m) IN ADVANCE OF THE MAIN ROUTE.
 - b) THE CLOSED PORTION OF THE MAIN ROUTE SHALL BE PROTECTED BY BLOCKING WITH TYPE III BARRICADES, 1/2 OF THE CROSS SECTION OF THE CLOSED PORTION.
 - 3. WHEN THE SIDE ROAD LIES BETWEEN THE BEGINNING OF THE MAINLINE SIGNING AND THE WORK ZONE, A SINGLE HEADED ARROW (M6-1) SHALL BE USED IN LIEU OF THE DOUBLE HEADED ARROW (M6-4).
- B. FOR A LANE CLOSURE ON A SIDE ROAD OR DRIVEWAY:

USE APPLICABLE PORTIONS OF THE TYPICAL APPLICATION OF TRAFFIC CONTROL DEVICES (STD. 701501, STD. 701606 OR THE APPROPRIATE STANDARD). THE SPACING OF SIGNS AND BARRICADES SHALL BE ADJUSTED FOR FIELD CONDITIONS AS DIRECTED BY THE ENGINEER. THE DIRECTIONAL ARROW SHALL BE COVERED OR REMOVED WHEN NO LONGER CONSISTENT WITH THE SIDE ROAD LANE CLOSURE.
 - C. ADVANCE WARNING SIGNS ARE TO BE OMITTED ON DRIVEWAY UNLESS OTHERWISE NOTED.
 - D. THE TRAFFIC CONTROL AND PROTECTION FOR SIDE ROADS, INTERSECTIONS, AND DRIVEWAYS SHALL BE INCIDENTAL TO THE COST OF SPECIFIED TRAFFIC CONTROL STANDARDS OR ITEMS.

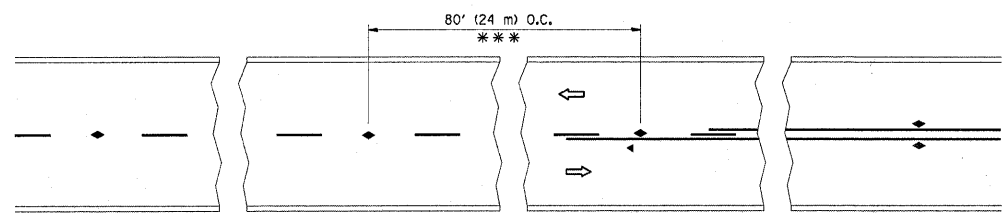
All dimensions are in millimeters (Inches) unless otherwise shown.

FILE NAME =	USER NAME = byjunsh	DESIGNED - LHA	REVISED - J. OBERLE 10-18-95
c:\pw_work\pw\dot\byjunsh\d0180500\01stSt	Edgn	DRAWN -	REVISED - A. HOUSEH 03-06-96
	PLOT SCALE = 50.0000' / IN.	CHECKED -	REVISED - A. HOUSEH 10-15-96
	PLOT DATE = 2/3/2010	DATE - 06-89	REVISED - T. RAMMACHER 01-06-00

STATE OF ILLINOIS
DEPARTMENT OF TRANSPORTATION

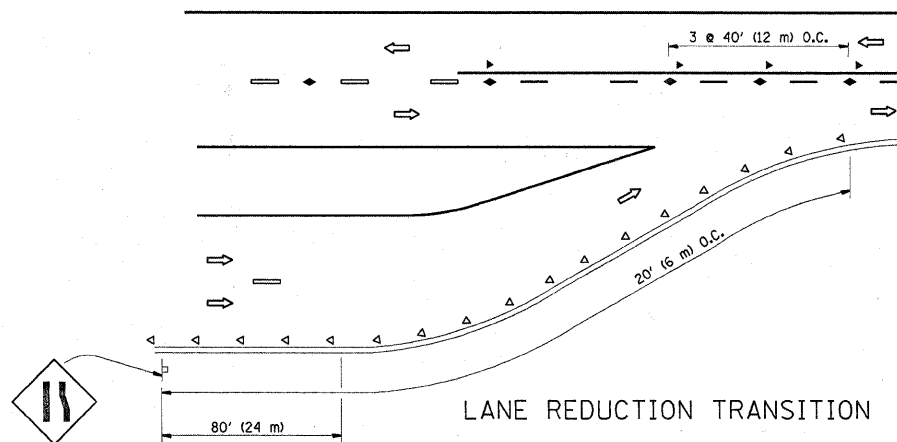
TRAFFIC CONTROL AND PROTECTION FOR SIDE ROADS, INTERSECTIONS, AND DRIVEWAYS			
SCALE: NONE	SHEET NO. 1 OF 1 SHEETS	STA.	TO STA.

F.A.P. RTE.	SECTION	COUNTY	TOTAL SHEETS	SHEET NO.
104	106 RS-5	LAKE	31	24
TC-10			CONTRACT NO. 60J51	
FED. ROAD DIST. NO. 1 ILLINOIS FED. AID PROJECT				

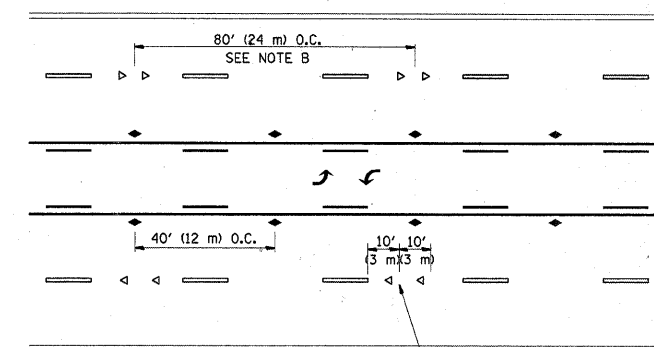


*** REDUCE TO 40' (12 m) O.C. ON CURVES WITH POSTED OR ADVISORY SPEED 45 M.P.H. (70 km/h) OR LESS.

TWO-LANE/TWO-WAY

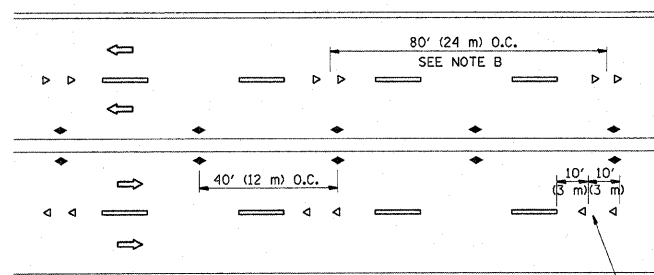


LANE REDUCTION TRANSITION



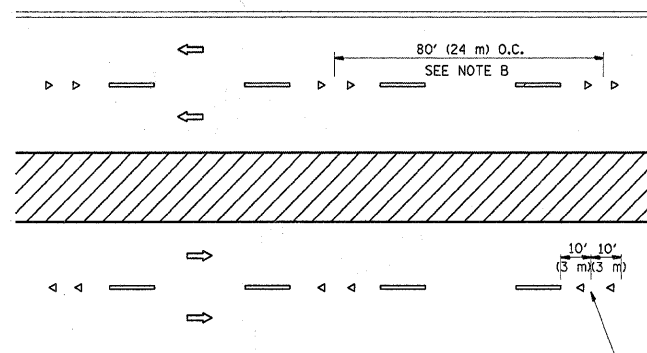
SEE NOTE A

TWO-WAY LEFT TURN



SEE NOTE A

MULTI-LANE/UNDIVIDED



SEE NOTE A

MULTI-LANE/DIVIDED

GENERAL NOTES

1. MARKERS USED WITH DASHED LINES SHALL BE CENTERED IN THE GAP BETWEEN SEGMENTS.
2. MARKERS USED ADJACENT TO SOLID LINES SHALL BE OFFSET 2 TO 3 (50 TO 75) TOWARD TRAFFIC AS SHOWN.
3. MARKERS THROUGH TANGENTS LESS THAN 500' (150 m) IN LENGTH BETWEEN CURVES SHALL BE INSTALLED AT THE LESSER OF THE TWO CURVE SPACINGS.

SYMBOLS

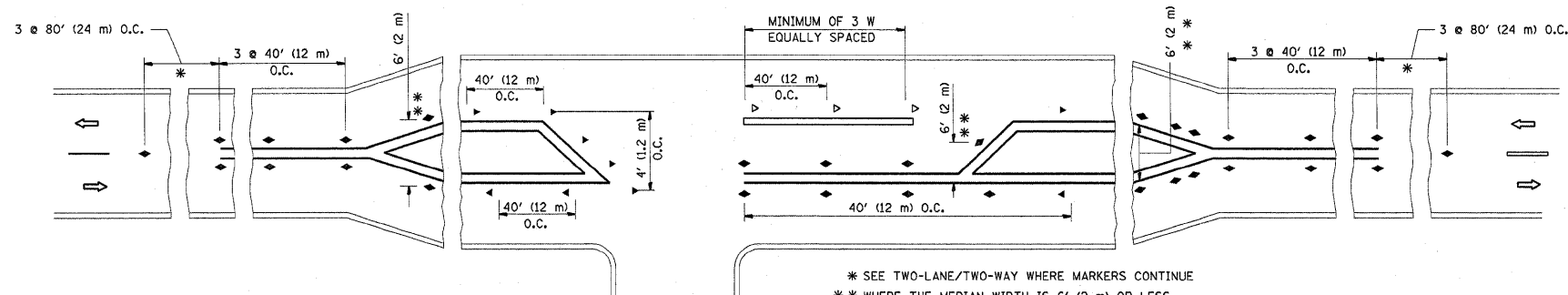
- YELLOW STRIPE
- WHITE STRIPE
- ◀ ONE-WAY AMBER MARKER
- ◁ ONE-WAY CRYSTAL MARKER (W/O)
- ◆ TWO-WAY AMBER MARKER

LANE MARKER NOTES

- A. USE DOUBLE LANE LINE MARKERS SPACED AS SHOWN.
- B. REDUCE TO 40' (12 m) O.C. ON CURVES WHERE ADVISORY SPEEDS ARE 10 M.P.H (20 km/h) LOWER THAN POSTED SPEEDS.

DESIGN NOTES

1. DOUBLE LANE LINE MARKERS SHALL BE USED UNLESS SPECIFIED OTHERWISE.
2. EXCEPT AS SHOWN ON THE LANE REDUCTION TRANSITION AND FREEWAY EXIT RAMP DETAIL, MARKERS ARE NOT TO BE SPECIFIED ON RIGHT EDGE LINES.
3. THE EXACT MARKER LIMITS, SPACING, AND COLOR SHOULD BE INCLUDED IN THE PLANS.
4. MARKERS SHOULD NOT BE USED ALONGSIDE CURBS EXCEPT FOR EXTREMELY SHORT SECTIONS OF CURBS WHERE NOT MORE THAN TWO MARKERS WOULD BE INVOLVED.



* SEE TWO-LANE/TWO-WAY WHERE MARKERS CONTINUE
 ** WHERE THE MEDIAN WIDTH IS 6' (2 m) OR LESS USE TWO-WAY MARKERS.

LEFT TURN

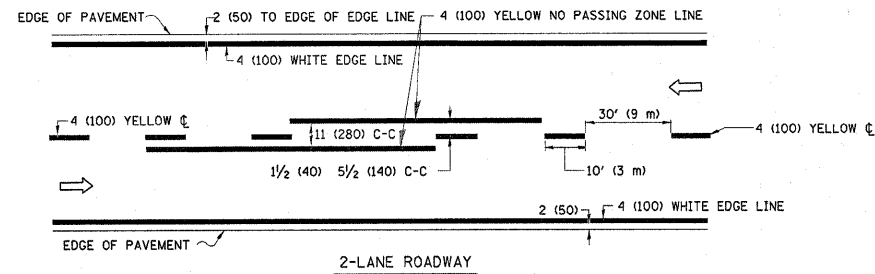
All dimensions are in inches (millimeters) unless otherwise shown.

FILE NAME =	USER NAME = byunsh	DESIGNED -	REVISED - T. RAMMACHER 09-19-94
c:\pw\work\pws\dott\byunsh\d0180500\01stSt.dgn		DRAWN -	REVISED - T. RAMMACHER 03-12-99
	PLOT SCALE = 50.0000' / IN.	CHECKED -	REVISED - T. RAMMACHER 01-06-00
	PLOT DATE = 2/3/2010	DATE -	REVISED - C. JUCIUS 09-09-09

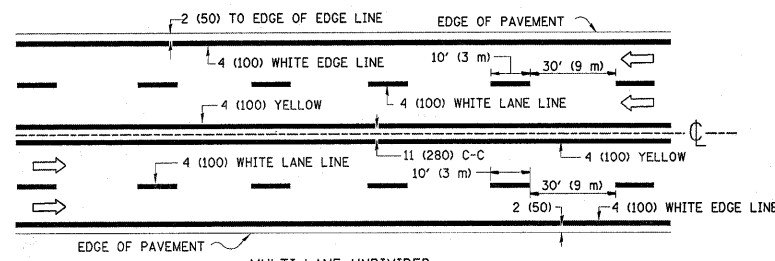
STATE OF ILLINOIS
 DEPARTMENT OF TRANSPORTATION

TYPICAL APPLICATIONS			
RAISED REFLECTIVE PAVEMENT MARKERS (SNOW-PLOW RESISTANT)			
SCALE: NONE	SHEET NO. 1 OF 1 SHEETS	STA.	TO STA.

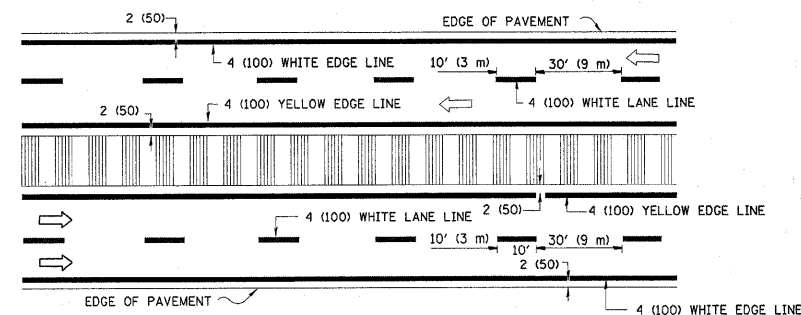
F.A.P. RTE.	SECTION	COUNTY	TOTAL SHEETS	SHEET NO.
104	106 RS-5	LAKE	31	25
TC-11			CONTRACT NO. 60J51	
FED. ROAD DIST. NO. 1 [ILLINOIS] FED. AID PROJECT				



2-LANE ROADWAY



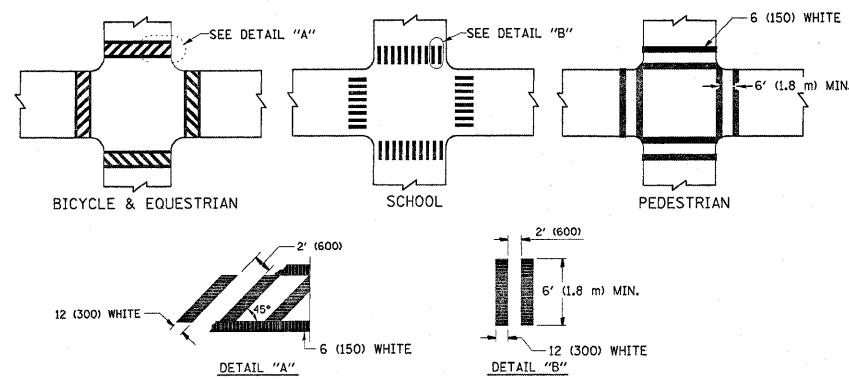
MULTI-LANE UNDIVIDED



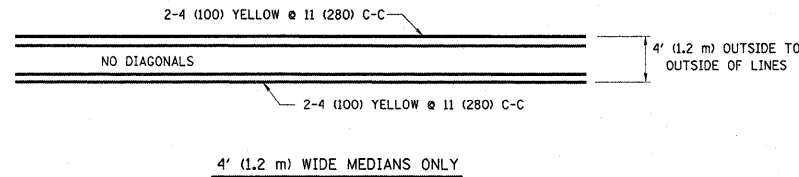
MULTI-LANE DIVIDED WITH MOUNTABLE MEDIAN

NOTE: MEDIANS WITH BARRIER CURB DO NOT REQUIRE AN EDGE LINE

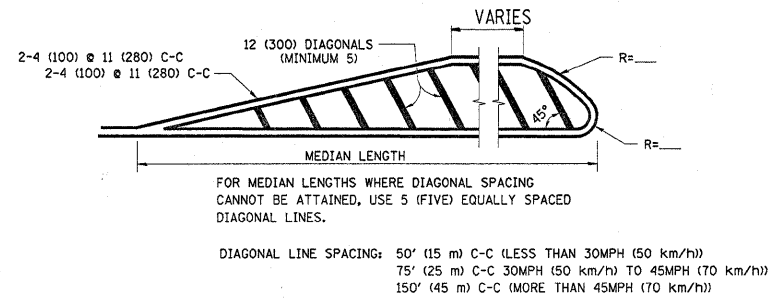
TYPICAL LANE AND EDGE LINE MARKING



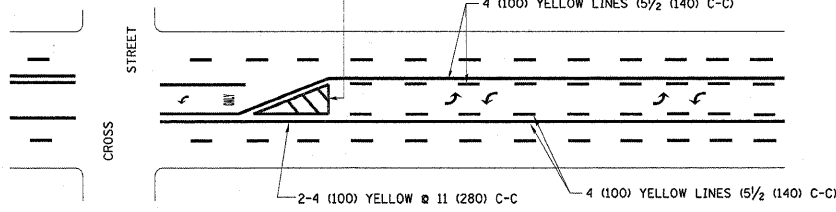
TYPICAL CROSSWALK MARKING



4' (1.2 m) WIDE MEDIANS ONLY



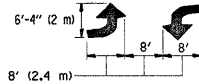
MEDIANS OVER 4' (1.2 m) WIDE



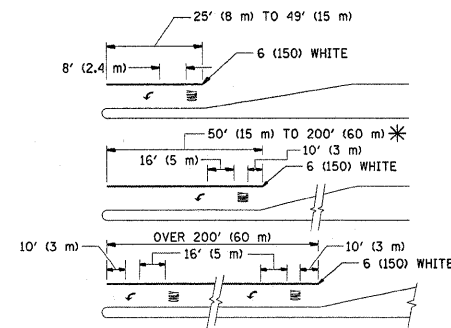
MEDIAN WITH TWO-WAY LEFT TURN LANE

TYPICAL PAINTED MEDIAN MARKING

A MINIMUM OF TWO PAIRS OF TURN ARROWS SHALL BE USED, WHITE IN COLOR. ADDITIONAL PAIRS SHALL BE PLACED AT 200' (60 m) TO 300' (90 m) INTERVALS.



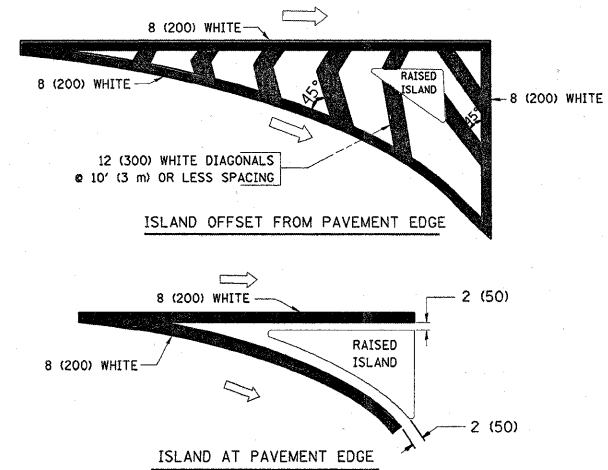
TYPICAL PAINTED MEDIAN MARKING



TYPICAL LEFT (OR RIGHT) TURN LANE

FULL SIZE LETTERS 8" (2.4 m) AND ARROWS SHALL BE USED.
 * TURN LANES IN EXCESS OF 400' (120 m) IN LENGTH MAY HAVE AN ADDITIONAL SET OF ARROW - "ONLY" INSTALLED MIDWAY BETWEEN THE OTHER TWO SETS OF ARROW - "ONLY".

TYPICAL TURN LANE MARKING



TYPICAL ISLAND MARKING

TYPE OF MARKING	WIDTH OF LINE	PATTERN	COLOR	SPACING / REMARKS
CENTERLINE ON 2 LANE PAVEMENT	4 (100)	SKIP-DASH	YELLOW	10' (3 m) LINE WITH 30' (9 m) SPACE
CENTERLINE ON MULTI-LANE UNDIVIDED PAVEMENT	2 @ 4 (100)	SOLID	YELLOW	11 (280) C-C
NO PASSING ZONE LINES: FOR ONE DIRECTION FOR BOTH DIRECTIONS	4 (100) 2 @ 4 (100)	SOLID SOLID	YELLOW YELLOW	5/2 (140) C-C FROM SKIP-DASH CENTERLINE 11 (280) C-C OMIT SKIP-DASH CENTERLINE BETWEEN
LANE LINES	4 (100) 5 (125) ON FREEWAYS	SKIP-DASH SKIP-DASH	WHITE WHITE	10' (3 m) LINE WITH 30' (9 m) SPACE
DOTTED LINES (EXTENSIONS OF CENTER, LANE OR TURN LANE MARKINGS)	SAME AS LINE BEING EXTENDED	SKIP-DASH	SAME AS LINE BEING EXTENDED	2' (600) LINE WITH 6' (1.8 m) SPACE
EDGE LINES	4 (100)	SOLID	YELLOW-LEFT WHITE-RIGHT	OUTLINE MOUNTABLE MEDIANS IN YELLOW; EDGE LINES ARE NOT USED NEXT TO BARRIER CURB
TURN LANE MARKINGS	6 (150) LINE; FULL SIZE LETTERS & SYMBOLS (8" (2.4m))	SOLID	WHITE	SEE TYPICAL TURN LANE MARKING DETAIL
TWO WAY LEFT TURN MARKING	2 @ 4 (100) EACH DIRECTION 8' (2.4m) LEFT ARROW	SKIP-DASH AND SOLID IN PAIRS	YELLOW WHITE	10' (3 m) LINE WITH 30' (9 m) SPACE FOR SKIP-DASH; 5/2 (140) C-C BETWEEN SOLID LINE AND SKIP-DASH LINE SEE TYPICAL TWO-WAY LEFT TURN MARKING DETAIL
CROSSWALK LINES (PEDESTRIAN) A. DIAGONALS (BIKE & EQUESTRIAN) B. LONGITUDINAL BARS (SCHOOL)	2 @ 6 (150) 12 (300) @ 45° 12 (300) @ 90°	SOLID SOLID SOLID	WHITE WHITE WHITE	NOT LESS THAN 6' (1.8 m) APART 2' (600) APART SEE TYPICAL CROSSWALK MARKING DETAILS.
STOP LINES	24 (600)	SOLID	WHITE	PLACE 4' (1.2 m) IN ADVANCE OF AND PARALLEL TO CROSSWALK, IF PRESENT. OTHERWISE, PLACE AT DESIRED STOPPING POINT. PARALLEL TO CROSSROAD CENTERLINE, WHERE POSSIBLE
PAINTED MEDIANS	2 @ 4 (100) WITH 12 (300) DIAGONALS @ 45° NO DIAGONALS USED FOR 4' (1.2 m) WIDE MEDIANS	SOLID	YELLOW; TWO WAY TRAFFIC WHITE; ONE WAY TRAFFIC	11 (280) C-C FOR THE DOUBLE LINE SEE TYPICAL PAINTED MEDIAN MARKING.
GORE MARKING AND CHANNELIZING LINES	8 (200) WITH 12 (300) DIAGONALS @ 45°	SOLID	WHITE	DIAGONALS: 15' (4.5 m) C-C (LESS THAN 30MPH (50 km/h)) 20' (6 m) C-C 30MPH (50 km/h) TO 45MPH (70 km/h)) 30' (9 m) C-C (OVER 45MPH (70 km/h))
RAILROAD CROSSING	24 (600) TRANSVERSE LINES; "RR" IS 6' (1.8 m) LETTERS; 16 (400) LINE FOR "X"	SOLID	WHITE	SEE STATE STANDARD 780001 AREA OF: "R"=3.6 SQ. FT. (0.33 m ²) EACH "X"=54.0 SQ. FT. (5.0 m ²)
SHOULDER DIAGONALS	12 (300) @ 45°	SOLID	WHITE - RIGHT YELLOW - LEFT	50' (15 m) C-C (LESS THAN 30MPH (50 km/h)) 75' (25 m) C-C (30 MPH (50 km/h) TO 45MPH (70 km/h)) 150' (45 m) C-C (OVER 45MPH (70 km/h))

FOR FURTHER DETAILS ON PAVEMENT MARKING REFER TO STANDARD SPECIFICATIONS FOR ROAD AND BRIDGE CONSTRUCTION AND STATE STANDARD 780001.

All dimensions are in inches (millimeters) unless otherwise shown.

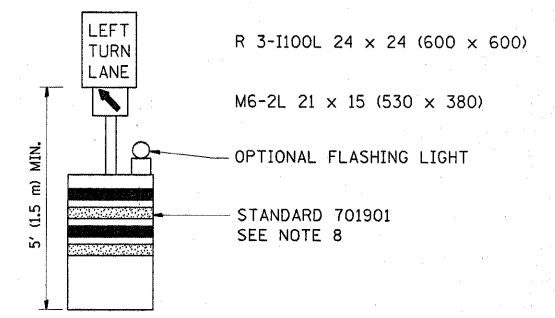
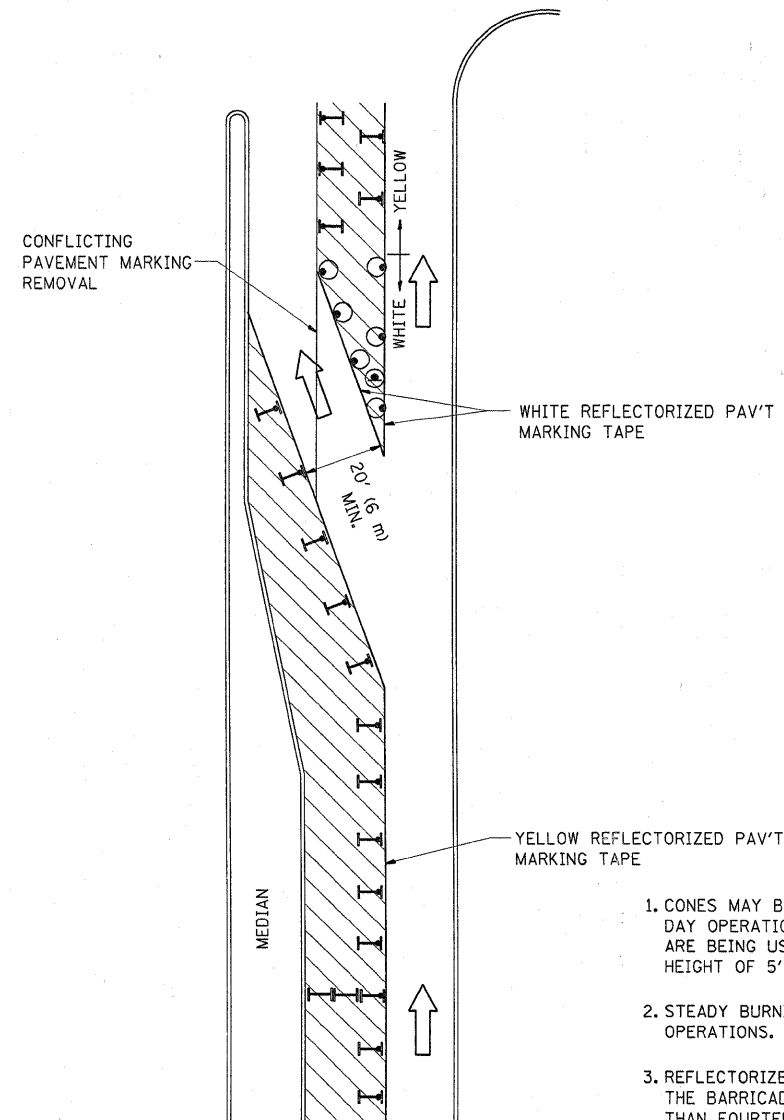
FILE NAME =	USER NAME = bygunsh	DESIGNED - EVERS	REVISED - T. RAMMACHER 10-27-94
o:\pwwork\pwwork\bygunsh\08180520\Drawings\dgn		DRAWN -	REVISED - C. JUCIUS 09-09-09
		CHECKED -	REVISED -
		DATE - 03-19-90	REVISED -

STATE OF ILLINOIS
DEPARTMENT OF TRANSPORTATION

DISTRICT ONE
TYPICAL PAVEMENT MARKINGS

SCALE: NONE SHEET NO. 1 OF 1 SHEETS STA. TO STA.

F.A.P. RTE.	SECTION	COUNTY	TOTAL SHEETS	SHEET NO.
104	106 RS-5	LAKE	31	26
TC-13			CONTRACT NO. 60J51	
FED. ROAD DIST. NO. 1 [ILLINOIS] FED. AID PROJECT				

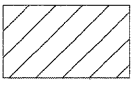
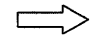
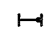


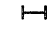


GENERAL NOTES

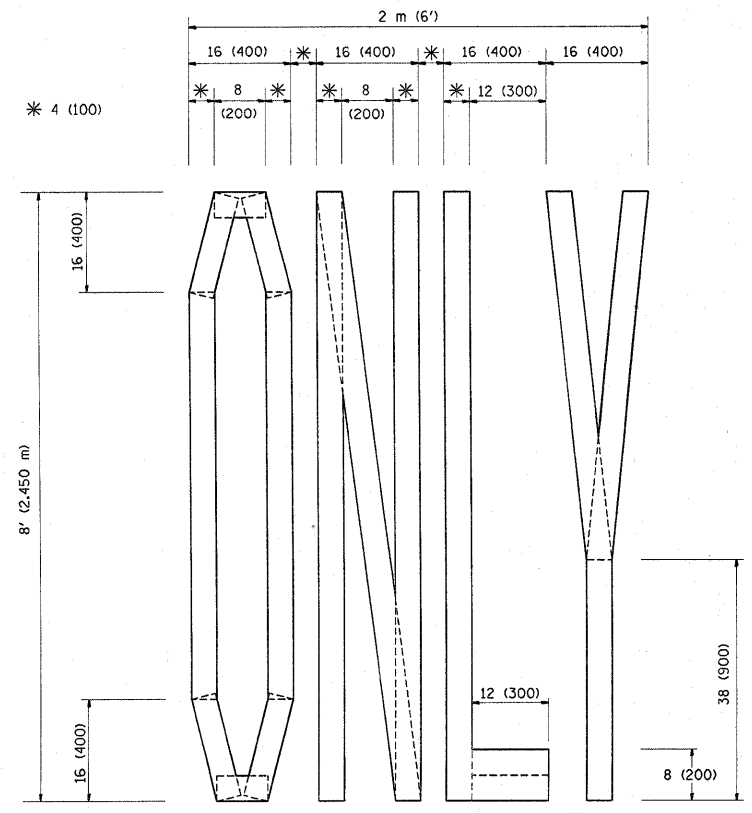
1. CONES MAY BE SUBSTITUTED FOR BARRICADES OR DRUMS AT HALF THE SPACING DURING DAY OPERATIONS. CONES SHALL BE A MINIMUM OF 28 (710) IN HEIGHT. WHEN CONES ARE BEING USED, THE "LEFT TURN LANE" SIGN MAY BE SKID MOUNTED AT A MINIMUM HEIGHT OF 5' (1.5 m).
2. STEADY BURNING LIGHTS WILL NOT BE REQUIRED ON BARRICADES OR DRUMS FOR DAY OPERATIONS. ALL LIGHTS SHALL BE MONODIRECTIONAL.
3. REFLECTORIZED TEMPORARY PAVEMENT MARKING TAPE SHALL BE PLACED THROUGHOUT THE BARRICADED AREA OF EACH TURN BAY WHERE THE CLOSURE TIME IS GREATER THAN FOURTEEN DAYS.
4. THIS APPLICATION ALSO APPLIES WHEN WORK IS BEING PERFORMED IN THE RIGHT LANE(S) AND THE RIGHT TURN BAY IS TO REMAIN OPEN. UNDER THIS CONDITION, "RIGHT TURN LANE" R3-100 24 x 24 (600 x 600) AND M6-2R 21 x 15 (530 x 380) SHALL BE USED.
5. THESE CONTROLS SHALL SUPPLEMENT MAINLINE TRAFFIC CONTROL FOR LANE CLOSURES.
6. LONGITUDINAL DIMENSIONS MAY BE ADJUSTED TO FIT FIELD CONDITIONS.
7. FORM OPER 725 IS REQUIRED.
8. IF A DRUM OR TYPE II BARRICADE WITH AN ATTACHED SIGN PANEL WHICH MEETS NCHRP 350 REQUIREMENTS IS NOT AVAILABLE, THE SIGNS SHALL BE MOUNTED, ABOVE THE BARRICADES, ON SEPARATE SIGNS SUPPORTS THAT MEET NCHRP 350 REQUIREMENTS.
9. TRAFFIC CONTROL AND PROTECTION AT TURN BAYS (TO REMAIN OPEN TO TRAFFIC) SHALL BE INCLUDED IN THE COST SPECIFIED TRAFFIC CONTROL STANDARDS OR ITEMS.

All dimensions are in inches (millimeters) unless otherwise shown.

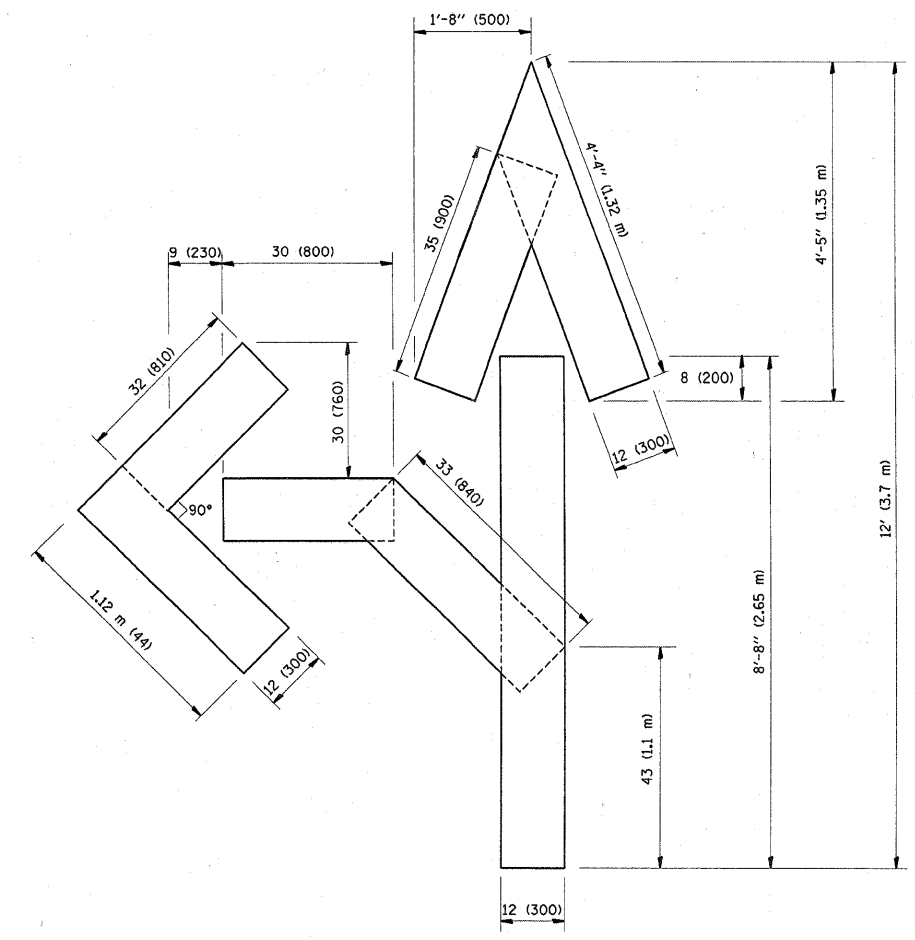
LEGEND

-  WORK AREA
-  LANE OPEN TO TRAFFIC
-  TYPE I OR II BARRICADE WITH STEADY BURN LIGHT
-  DRUM WITH STEADY BURN LIGHT
-  DRUM WITH SIGN (WITH OPTIONAL FLASHING LIGHT) SEE DETAIL
-  TYPE I OR II CHECK BARRICADE WITH FLASHING LIGHT

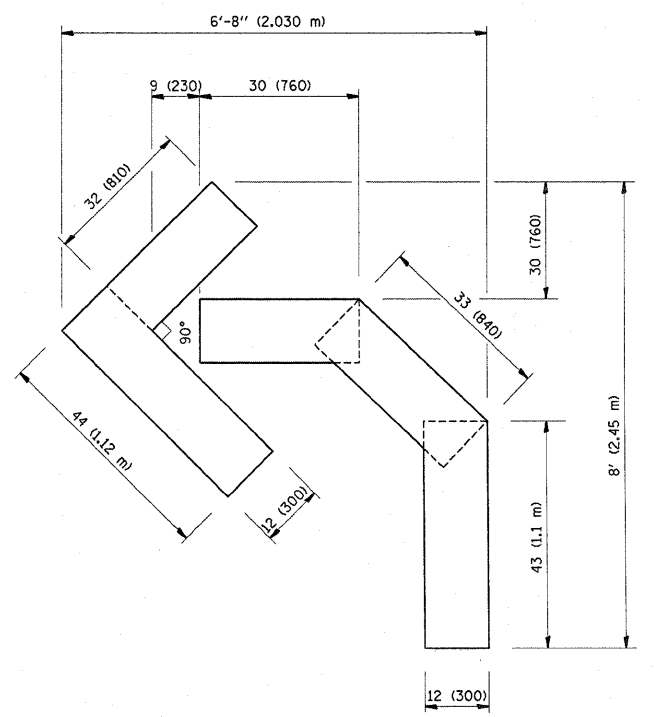
FILE NAME =	USER NAME = byunsh	REVISED - T. RAMMACHER 09-08-94	REVISED - R. BORO 09-14-09	STATE OF ILLINOIS DEPARTMENT OF TRANSPORTATION	TRAFFIC CONTROL AND PROTECTION AT TURN BAYS (TO REMAIN OPEN TO TRAFFIC)	F.A.P. RTE.	SECTION	COUNTY	TOTAL SHEETS	SHEET NO.
cd\pw_work\pwidot\byunsh\c0180500\DistSchedgn	REVISED - A. HOUSEH 11-07-95	REVISED -				104	106 RS-5	LAKE	31	27
PLOT SCALE = 50.0000' / IN.	REVISED - A. HOUSEH 10-12-96	REVISED -				TC-14		CONTRACT NO.		60J51
PLOT DATE = 2/3/2010	REVISED - T. RAMMACHER 01-06-00	REVISED -				SCALE: NONE	SHEET NO. 1 OF 1 SHEETS	STA. TO STA.	FED. ROAD DIST. NO. 1 [ILLINOIS] FED. AID PROJECT	



QUANTITY
 4 (100) LINE = 64.1 ft. (19.7 m)
 21.1 sq. ft. (1.97 sq. m)



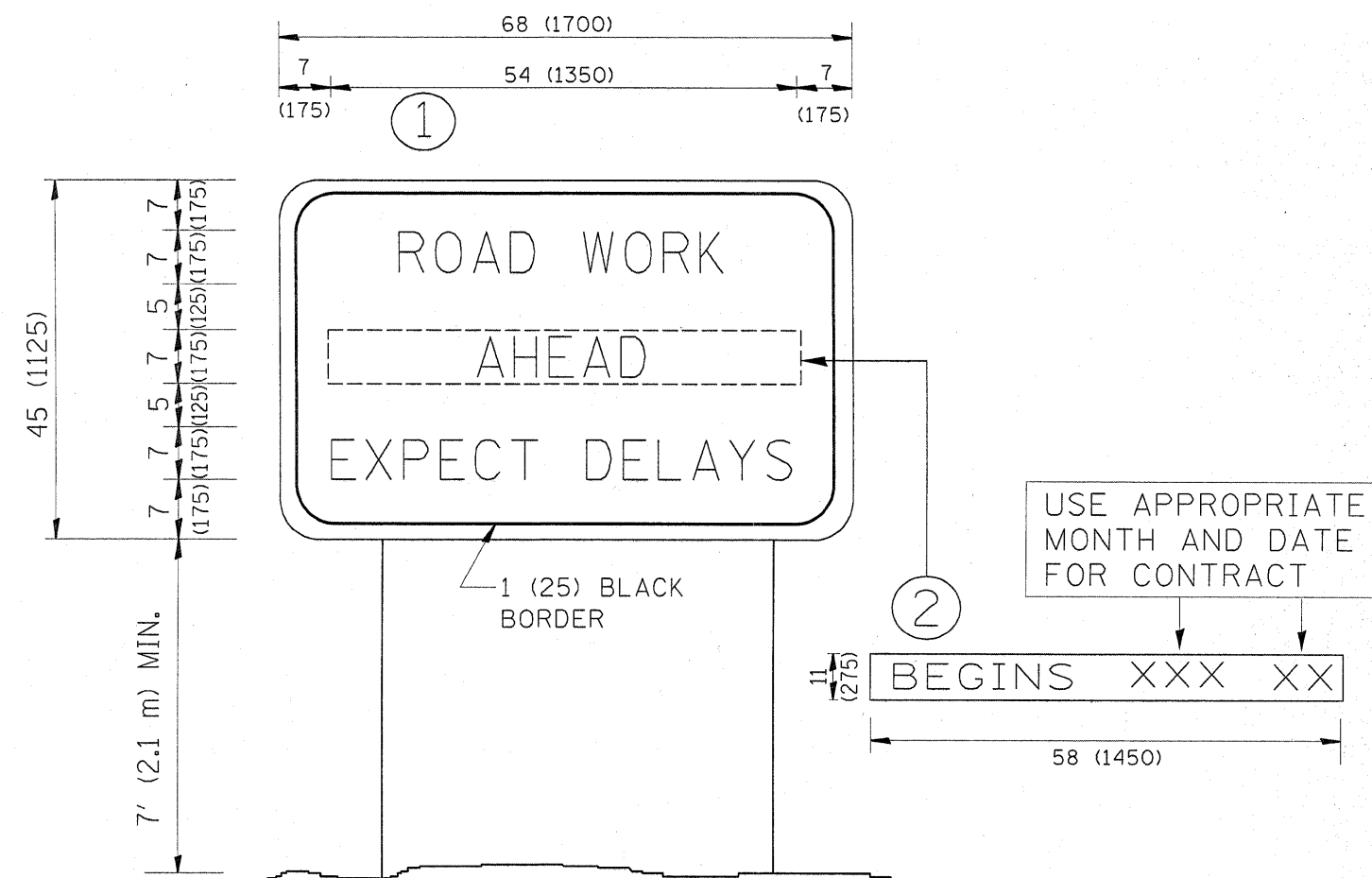
QUANTITY
 4 (100) LINE = 82.5 ft. (25.3 m)
 27.5 sq. ft. (2.53 sq. m)



QUANTITY
 4 (100) LINE = 45.5 ft. (13.9 m)
 15.2 sq. ft. (1.39 sq. m)

All dimensions are in inches (millimeters) unless otherwise shown.

FILE NAME = c:\pw_work\paw.dot\byunsh\c0180500\01stst	USER NAME = byunsh	DESIGNED -	REVISED -T. RAMMACHER 06-05-96	STATE OF ILLINOIS DEPARTMENT OF TRANSPORTATION	PAVEMENT MARKING LETTERS AND SYMBOLS FOR TRAFFIC STAGING			F.A.P. RTE.	SECTION	COUNTY	TOTAL SHEETS	SHEET NO.
	PLOT SCALE = 50,0000 ' / IN.	DRAWN -	REVISED -T. RAMMACHER 11-04-97					104	106 RS-5	LAKE	31	28
	PLOT DATE = 2/3/2010	DATE - 09-18-94	CHECKED -		REVISED -T. RAMMACHER 03-02-98	SCALE: NONE	SHEET NO. 1 OF 1 SHEETS	STA. TO STA.	TC-16 FED. ROAD DIST. NO. 1 ILLINOIS FED. AID PROJECT			



NOTES:

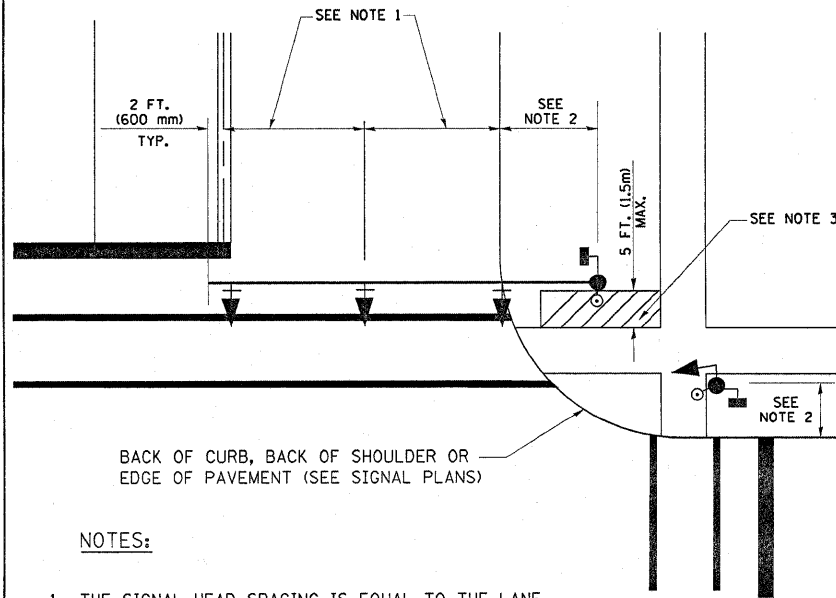
1. USE BLACK LETTERING ON ORANGE BACKGROUND.
2. ERECT SIGNS IN ADVANCE OF THE LOCATION FOR THE "ROAD CONSTRUCTION AHEAD" SIGN AT LOCATIONS AS DIRECTED BY THE ENGINEER.
3. ERECT SIGN ① WITH INSTALLED PANEL ② ONE WEEK PRIOR TO THE START OF CONSTRUCTION.
4. REMOVE PANEL ② SOON AFTER THE START OF CONSTRUCTION.
5. SEE SPECIAL PROVISION FOR "TEMPORARY INFORMATION SIGNING" FOR ADDITIONAL INFORMATION.
6. ONE SIGN ASSEMBLY EQUALS 25.70 SQ. FT. (2.3 SQ. M.)
7. SHALL BE PAID FOR AS TEMPORARY INFORMATION SIGNING.

ALL DIMENSIONS ARE IN INCHES (MILLIMETERS) UNLESS OTHERWISE SHOWN.

FILE NAME =	USER NAME = byunsh	DESIGNED -	REVISED - R. MIRS 09-15-97	STATE OF ILLINOIS DEPARTMENT OF TRANSPORTATION	ARTERIAL ROAD INFORMATION SIGN	F.A.P. RTE.	SECTION	COUNTY	TOTAL SHEETS	SHEET NO.
c:\pw\work\pwsdot\byunsh\0180500\01s15	Drawn	DRAWN -	REVISED - R. MIRS 12-11-97			104	106 RS-5	LAKE	31	29
	PLOT SCALE = 50.0000' / IN.	CHECKED -	REVISED - T. RAMMACHER 02-02-99			TC-22		CONTRACT NO. 60J51		
	PLOT DATE = 2/3/2010	DATE -	REVISED - C. JUCIUS 01-31-07			FED. ROAD DIST. NO. 1 ILLINOIS FED. AID PROJECT				
					SCALE: NONE	SHEET NO. 1 OF 1 SHEETS		STA.	TO STA.	

TRAFFIC SIGNAL MAST ARM AND SIGNAL POST

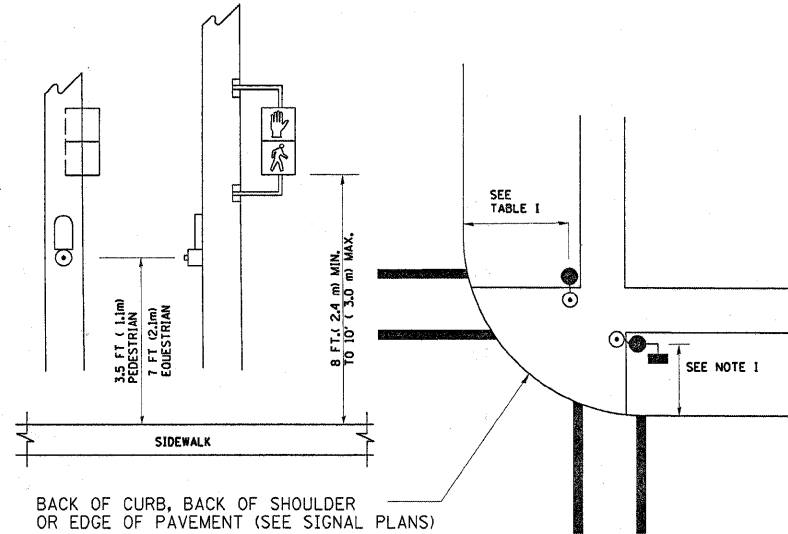
MAST ARM MOUNTED SIGNALS IN EXISTING, PROPOSED OR FUTURE SIDEWALK/BICYCLE PATH AREA. INTERSECTION SHOWN WITH PEDESTRIAN SIGNALS AND PEDESTRIAN PUSHBUTTON DETECTORS.



NOTES:

1. THE SIGNAL HEAD SPACING IS EQUAL TO THE LANE WIDTH OR AS SHOWN ON THE TRAFFIC SIGNAL PLAN.
2. REFER TO THE TRAFFIC SIGNAL EQUIPMENT OFFSET TABLE.
3. PROVIDE A LEVEL ALL-WEATHER SURFACE (CONCRETE SIDEWALK, ASPHALT BICYCLE PATH SURFACE OR MATCHING MATERIAL TO THE ADJACENT SURFACE) UP TO THE MAST ARM SHAFT OR THE SIGNAL POST.
4. THE FACE OF THE PEDESTRIAN PUSHBUTTON SHALL BE PARALLEL TO THE CROSSWALK TO BE USED.
5. THE LOCATIONS AND INSTALLATION OF PEDESTRIAN SIGNAL HEADS AND PEDESTRIAN PUSHBUTTONS SHALL MEET THE REQUIREMENTS OF THE MUTCD AND INFORMATION FOUND IN THE "AMERICANS WITH DISABILITIES ACT ACCESSIBILITY GUIDELINES FOR BUILDINGS AND FACILITIES."

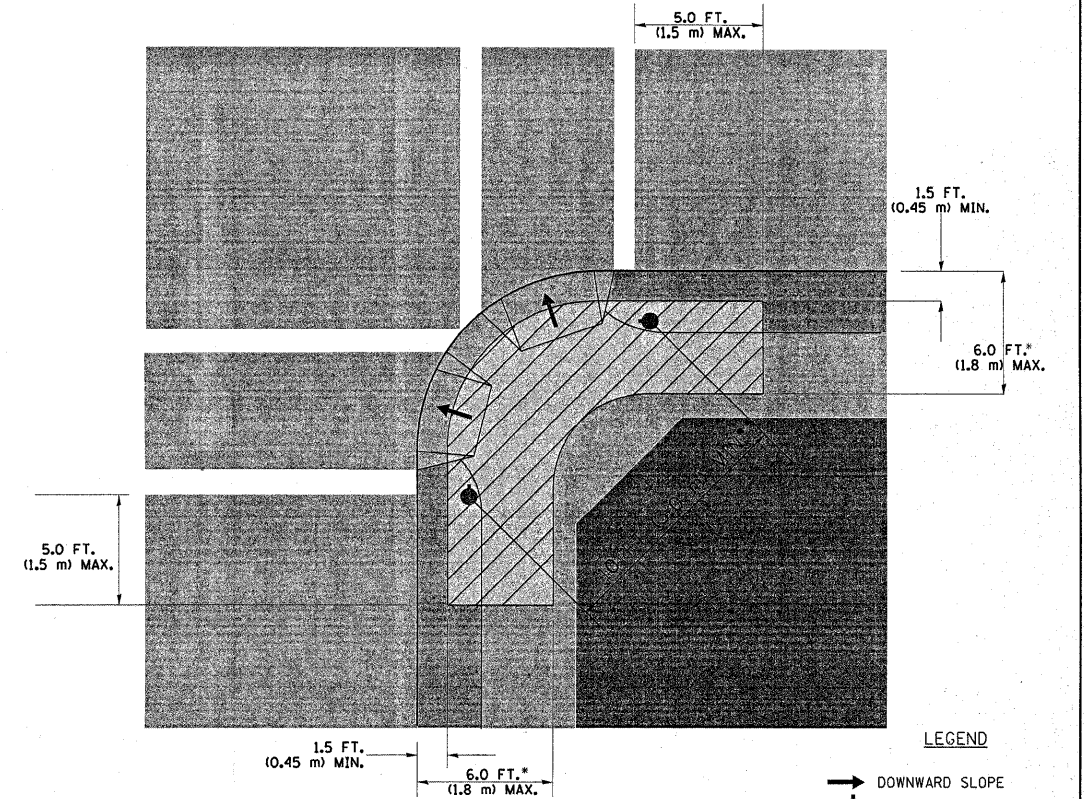
PEDESTRIAN SIGNAL POST AND PEDESTRIAN PUSH BUTTON POST



NOTES:

1. REFER TO THE TRAFFIC SIGNAL EQUIPMENT OFFSET TABLE.
2. PROVIDE A LEVEL ALL-WEATHER SURFACE (CONCRETE SIDEWALK, ASPHALT BICYCLE PATH SURFACE OR MATCHING MATERIAL TO THE ADJACENT SURFACE) UP TO THE PEDESTRIAN SIGNAL POST OR THE PEDESTRIAN PUSH BUTTON POST.
3. THE FACE OF THE PEDESTRIAN PUSHBUTTON SHALL BE PARALLEL TO THE CROSSWALK TO BE USED.
4. THE LOCATIONS AND INSTALLATION OF PEDESTRIAN SIGNAL HEADS AND PEDESTRIAN PUSHBUTTONS SHALL MEET THE REQUIREMENTS OF THE MUTCD AND INFORMATION FOUND IN THE "AMERICANS WITH DISABILITIES ACT ACCESSIBILITY GUIDELINES FOR BUILDINGS AND FACILITIES."

RECOMMENDED PUSHBUTTON LOCATIONS



- WHERE THERE ARE CONSTRAINTS THAT MAKE IT IMPRACTICAL TO PLACE THE PEDESTRIAN PUSHBUTTON BETWEEN 1.5 FT (0.45 m) AND 6 FT (1.8 m) FROM THE EDGE OF THE CURB, SHOULDER, OR PAVEMENT, IT SHOULD NOT BE FURTHER THAN 10 FT (3 m) FROM THE EDGE OF CURB, SHOULDER, OR PAVEMENT.
- WHERE THERE ARE CONSTRAINTS ON A PARTICULAR CORNER THAT MAKE IT IMPRACTICAL TO PROVIDE THE 10 FT (3 m) SEPERATION BETWEEN THE TWO PEDESTRIAN PUSHBUTTONS, THE PUSHBUTTONS MAY BE PLACED CLOSER TOGETHER OR ON THE SAME POLE.

NOTES:

1. PEDESTRIAN SIGNAL HEADS SHALL BE MOUNTED WITH THE BOTTOM OF THE SIGNAL HOUSING INCLUDING BRACKETS NOT LESS THAN 8 FT (2.4 m) OR MORE THAN 10 FT (3 m) ABOVE SIDEWALK LEVEL, AND SHALL BE POSITIONED AND ADJUSTED TO PROVIDE MAXIMUM VISIBILITY AT THE BEGINNING OF THE CONTROLLED CROSSWALK.
2. THE BOTTOM OF THE SIGNAL HOUSING (INCLUDING BRACKETS) OF A VEHICULAR SIGNAL FACE THAT IS NOT LOCATED OVER A HIGHWAY SHALL BE AT LEAST 8 FT (2.4 m) BUT NOT MORE THAN 19 FT (5.8 m) ABOVE THE SIDEWALK OR, IF THERE IS NO SIDEWALK, ABOVE THE PAVEMENT GRADE AT THE CENTER OF THE ROADWAY.
3. THE BOTTOM OF THE SIGNAL HOUSING AND ANY RELATED ATTACHMENTS TO A SIGNAL FACE LOCATED OVER ANY PORTION OF A HIGHWAY SHALL BE ACCORDING TO CURRENT STATE STANDARDS 877001, 877002, 877006, 877011 AND 877012 WITH A MINIMUM OF 16 FT (5.0 m) AND A MAXIMUM OF 18 FT. (5.5 m) FROM THE HIGHEST POINT OF PAVEMENT.
4. THE BOTTOM OF THE TEMPORARY SPAN WIRE MOUNTED SIGNAL HOUSING AND ANY RELATED ATTACHMENTS TO A SIGNAL FACE LOCATED OVER ANY PORTION OF A HIGHWAY SHALL BE ACCORDING TO CURRENT STATE STANDARD 880001 WITH A MINIMUM OF 17 FT (5.18 m) FROM THE HIGHEST POINT OF PAVEMENT.
5. THE TOP OF THE SIGNAL HOUSING OF A SIGNAL FACE LOCATED OVER ANY PORTION OF A HIGHWAY SHALL NOT BE MORE THAN 25.6 FT (7.8 m) ABOVE THE PAVEMENT.

TRAFFIC SIGNAL EQUIPMENT OFFSET

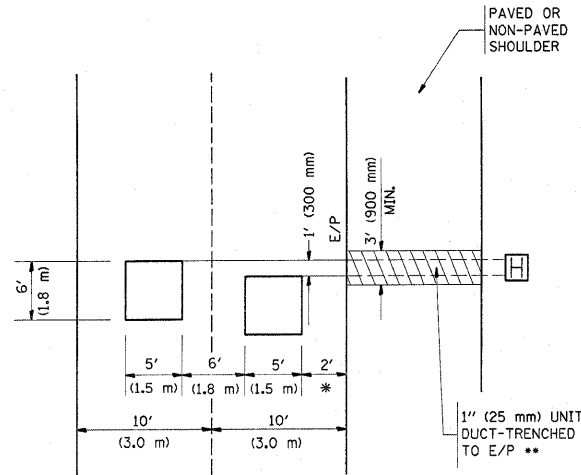
TRAFFIC SIGNAL EQUIPMENT	COMBINATION CONCRETE CURB AND GUTTER (MINIMUM DISTANCE FROM BACK OF CURB TO CENTERLINE OF FOUNDATION)	SHOULDER/NON-CURBED AREA (MINIMUM DISTANCE FROM EDGE OF PAVEMENT TO CENTERLINE OF FOUNDATION)
TRAFFIC SIGNAL MAST ARM POLE	6 FT (1.8m)	SHOULDER WIDTH + 2 FT (0.6m), MINIMUM 10 FT (3.0m)
TRAFFIC SIGNAL POST	4 FT (1.2m)	SHOULDER WIDTH + 2 FT (0.6m), MINIMUM 10 FT (3.0m)
PEDESTRIAN SIGNAL POST	4 FT (1.2m)	SHOULDER WIDTH + 2 FT (0.6m), MINIMUM 10 FT (3.0m)
PEDESTRIAN PUSHBUTTON POST	4 FT (1.2m)	SHOULDER WIDTH + 2 FT (0.6m), MINIMUM 10 FT (3.0m)
TEMPORARY WOOD POLE	6 FT (1.8m)	SHOULDER WIDTH + 2 FT (0.6m), MINIMUM 10 FT (3.0m)
CONTROLLER CABINET	6 FT (1.8m) MINIMUM DISTANCE SEE NOTE 2	SHOULDER WIDTH + 6 FT (1.8m), MINIMUM 16 FT (4.9m) SEE NOTE 3.
SERVICE INSTALLATION, GROUND MOUNT	6 FT (1.8m) MINIMUM DISTANCE SEE NOTE 2	SHOULDER WIDTH + 6 FT (1.8m), MINIMUM 16 FT (4.9m) SEE NOTE 3.

NOTES:

1. CONTACT THE "AREA TRAFFIC SIGNAL MAINTENANCE AND OPERATIONS ENGINEER" FOR ASSISTANCE IN LOCATING THE TRAFFIC SIGNAL EQUIPMENT WHEN THERE ARE CONFLICTS WITH DITCHES OR THE MINIMUM OFFSET DISTANCES CANNOT BE MET.
2. MINIMUM DISTANCE FROM THE BACK OF CURB TO THE ROADWAY SIDE OF THE FOUNDATION.
3. MINIMUM DISTANCE FROM THE EDGE OF PAVEMENT TO THE ROADWAY SIDE OF THE FOUNDATION.
4. ANY CHANGES TO THE OFFSETS OF THE FOUNDATIONS, FROM THE MINIMUM DISTANCES LISTED IN THE "TRAFFIC SIGNAL EQUIPMENT OFFSET" CHART AND THE TRAFFIC SIGNAL INSTALLATION PLAN, COULD AFFECT THE PLACEMENT OF THE SIGNAL HEADS, PEDESTRIAN SIGNAL HEADS AND THE PEDESTRIAN PUSHBUTTONS. THE SIGNAL HEAD PLACEMENT ON THE MAST ARMS SHALL REMAIN AS PER THE TRAFFIC SIGNAL INSTALLATION PLAN AND THE "TRAFFIC SIGNAL MAST ARM AND SIGNAL POST" DETAIL ABOVE. THE PROPOSED MAST ARM LENGTHS MAY NEED TO BE REVISED TO MEET THE ABOVE REQUIREMENTS. THE PEDESTRIAN SIGNAL HEADS AND PEDESTRIAN PUSHBUTTONS MUST MEET THE REQUIREMENTS UNDER THE DETAILS ON THIS SHEET.

LOOPS NEXT TO SHOULDERS

PROVIDE A PAVEMENT REPLACEMENT NOTE WHICH SHOULD EQUAL 3' (900 mm) X WIDTH OF PAVED SHOULDER.

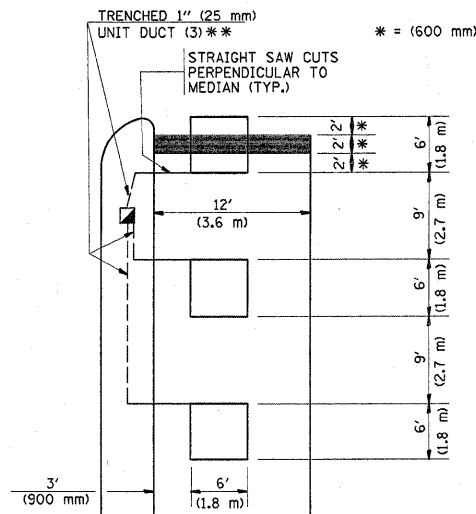


* = (600 mm)

** UNIT DUCT IS TO BE SHOWN ON PLAN SHEETS BUT SHALL NOT BE INCLUDED IN THE PAY ITEMS.

**LEFT TURN LANES WITH MEDIANS
VOLUME DENSITY ("FAR OUT" DETECTION)
ON SAME APPROACH
(PROTECTED / PERMITTED LEFT TURN PHASING)**

HANDHOLE LOCATION MAY VARY DEPENDING ON GEOMETRICS AND DESIGN OF TRAFFIC SIGNALS. HEAVY-DUTY HANDHOLES TO BE USED WHEN THE MEDIAN IS MOUNTABLE. REFER TO STANDARD 814001 TO ENSURE THAT HANDHOLE FITS IN MEDIAN.

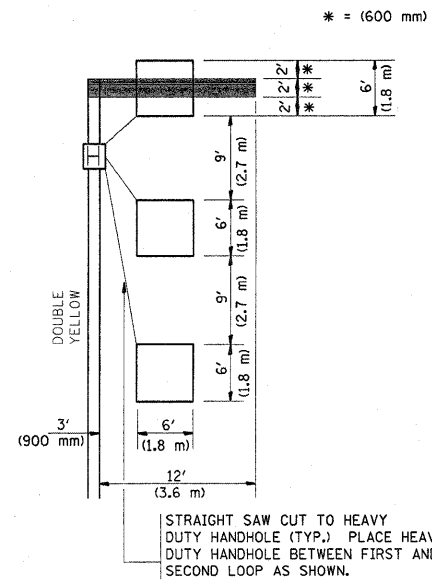


* = (600 mm)

** UNIT DUCT IS TO BE SHOWN ON PLAN SHEETS BUT SHALL NOT BE INCLUDED IN THE PAY ITEMS.

NOTE: DUAL LEFT TURNS NOT SHOWN REFER TO PLAN SHEET FOR DETECTOR LOOP REPLACEMENT

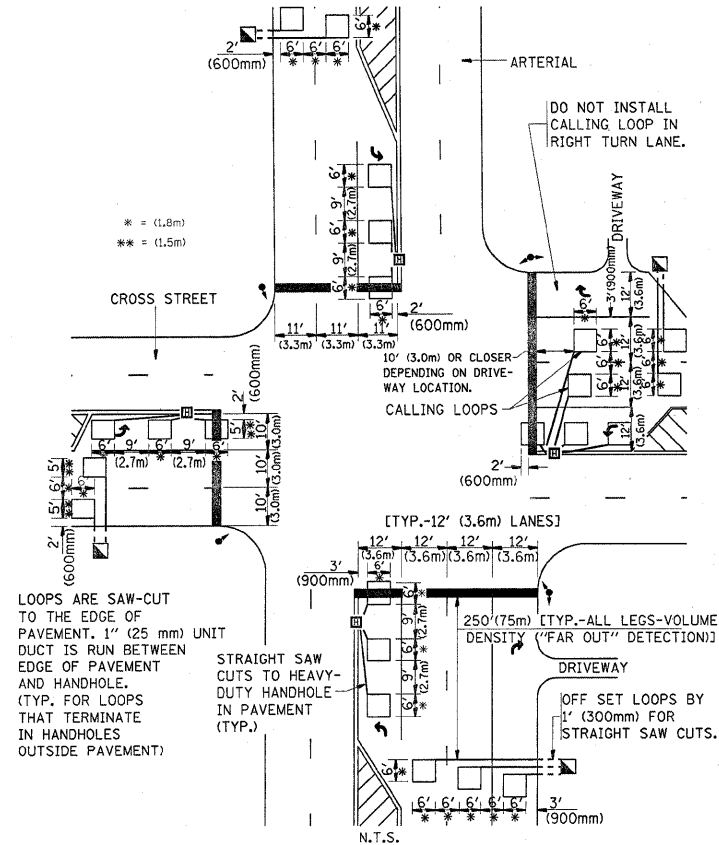
**LEFT TURN LANES WITHOUT MEDIANS
VOLUME DENSITY ("FAR OUT" DETECTION)
ON SAME APPROACH
(PROTECTED / PERMITTED LEFT TURN PHASING)**



* = (600 mm)

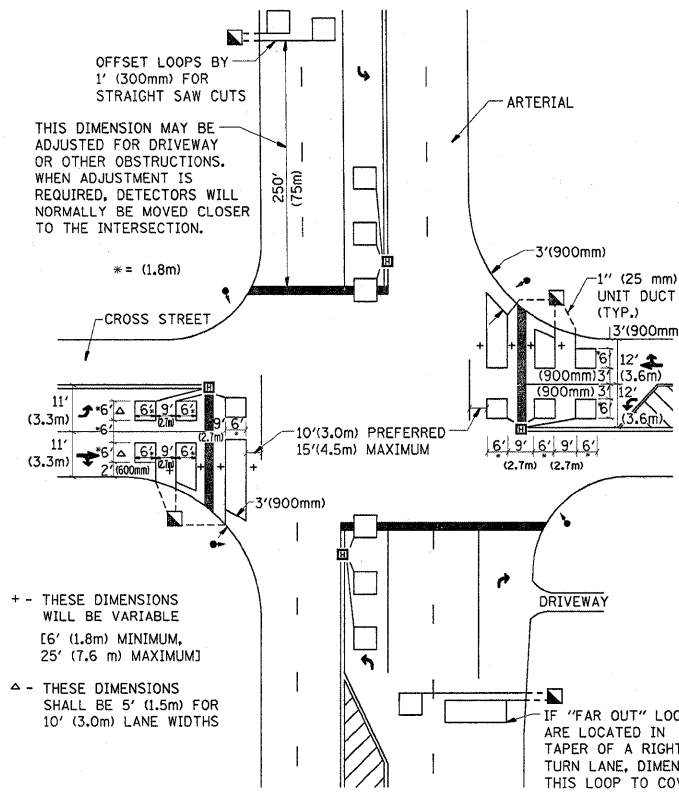
NOTE: DUAL LEFT TURNS NOT SHOWN REFER TO PLAN SHEET FOR DETECTOR LOOP REPLACEMENT

**ARTERIAL-VOLUME DENSITY ("FAR OUT" DETECTION)
CROSS STREET-VOLUME DENSITY ("FAR OUT" DETECTION)**



DETAIL 1
N.T.S.

**ARTERIAL-VOLUME DENSITY ("FAR OUT" DETECTION)
CROSS STREET-NON VOLUME DENSITY ("UPTIGHT" PRESENCE DETECTION)**



DETAIL 2
N.T.S.

NOTES:

VEHICLES LOOP DETECTORS

- * ALL LEAD IN CABLE SHALL BE TWO CONDUCTOR NO. 14 TWISTED, SHIELDED.
- * EACH DETECTOR LOOP SHALL HAVE ITS OWN SAW CUT FROM THE LOOP TO THE EDGE OF PAVEMENT OR TO A HANDHOLE IN THE PAVEMENT.
- * EACH DETECTOR LOOP SHALL HAVE ITS OWN ONE INCH (25 mm) UNIT DUCT BETWEEN THE EDGE OF PAVEMENT AND THE FIRST HANDHOLE OR JUNCTION BOX. EACH UNIT DUCT RUN SHALL BE SHOWN ON THE PLANS BY THE DESIGNER, BUT SHALL NOT BE PAID FOR SEPARATELY. THIS ITEM IS INCIDENTAL TO THE PAY ITEM FOR DETECTOR LOOPS.
- * ONE DIMENSION OF ALL DETECTOR LOOPS SHALL BE SIX FEET (1.8 m)
- * EACH LANE OF NON-LOCKING, PRESENCE DETECTION AND EACH LANE OF A DOUBLE LEFT TURN LANE REQUIRES A SEPARATE INDUCTIVE LOOP DETECTOR AND LEAD IN CABLE.
- * WHEN NON-LOCKING, PRESENCE DETECTION IS USED, MORE THAN ONE LOOP PER LANE IS REQUIRED BEHIND THE STOP BAR (i.e. 1-1/2, 1-3/4, 2).
- * WHEN SYSTEM LOOPS ARE REQUIRED ON AN APPROACH OF AN INTERSECTION, THE LOOPS USED FOR VOLUME DENSITY AND INTERSECTION TIMING SHALL ALSO BE USED AS SYSTEM DETECTORS. EACH ONE OF THESE TYPE OF LOOPS REQUIRES A SEPARATE TWO CONDUCTOR NO. 14 TWISTED SHIELDED CABLE AND A SEPARATE INDUCTIVE LOOP DETECTOR WHEN NEW CONTROLLERS ARE UTILIZED. THE DESIGNER SHALL LABEL THESE TYPES OF LOOPS AS "INTERSECTION AND SAMPLING (SYSTEM) DETECTORS" ON THE SIGNAL LAYOUT, THE INTERCONNECT PLAN AND THE SYSTEM CABLE PLAN. WHEN AN EXISTING CONTROLLER IS UTILIZED FOR THIS TYPE OF DETECTION, THE PAY ITEM "INDUCTIVE LOOP DETECTOR WITH SYSTEM OUTPUT" SHOULD BE USED.

PLACEMENT OF DETECTORS

THE FOLLOWING FIGURES REPRESENT THE MOST COMMON DETECTOR LOOP LOCATIONS AND SIZES. ADJUSTMENTS WILL BE NECESSARY FOR SPECIFIC GEOMETRIC CONSIDERATIONS.

LOCATIONS AND DEMENSIONS OF DETECTOR LOOPS ARE REQUIRED ON ALL SIGNAL LAYOUT PLAN SHEETS.

"FAR OUT" DETECTION REFERS TO LOCKING, PRESENCE TYPE DETECTION LOCATED IN THRU LANES, RIGHT TURN LANES, AND RIGHT TURN LANE TAPER AREAS (IF APPLICABLE), USUALLY 250' (75 m) IN ADVANCE OF STOP BARS. "UPTIGHT" DETECTION REFERS TO NON-LOCKING PRESENCE TYPE DETECTION LOCATED IN ALL LANES AND 10'-15' (3.0 m-4.5 m) BEHIND THE CROSSING STREET'S EDGE OF PAVEMENT EXTENDED.

NOTE:

ALL DETAILS AND NOTES SHOWN ARE FROM THE I.D.O.T. DISTRICT 1 TRAFFIC SIGNAL DESIGN GUIDELINES DATED JANUARY 1995

THIS DRAWING HAS BEEN PREPARED TO ASSIST THE RESIDENT ENGINEER FOR ALL ROADWAY RESURFACING OR S.M.A.R.T. PROJECTS WHERE THE DIMENSIONS ARE NOT SHOWN ON THE PLANS AND THE FINAL LOCATIONS FOR CROSSWALKS OR STOP BARS ARE NOT DETERMINED.

FILE NAME =	USER NAME = byunsh	DESIGNED -	REVISED -	STATE OF ILLINOIS DEPARTMENT OF TRANSPORTATION	DISTRICT 1 - DETECTOR LOOP INSTALLATION DETAILS FOR ROADWAY RESURFACING	F.A.P. RTE.	SECTION	COUNTY	TOTAL SHEETS	SHEET NO.
c:\pwork\pwork\byunsh\d0180500\Dist1st.dgn		DRAWN -	REVISED -			104	106 RS-5	LAKE	31	31
PLOT SCALE = 50.0000' / IN.		CHECKED - R.K.F.	REVISED -			TS-07		CONTRACT NO.		60J51
PLOT DATE = 2/3/2010		DATE -	REVISED -			SCALE: NONE	SHEET NO. 1 OF 1 SHEETS	STA. TO STA.	FED. ROAD DIST. NO. 1 ILLINOIS FED. AID PROJECT	