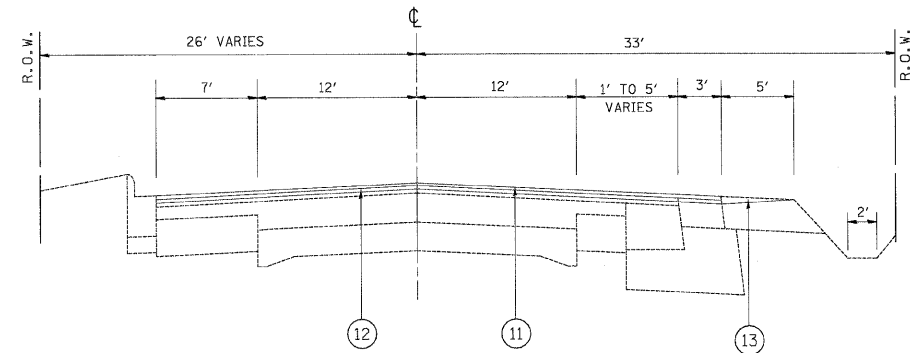
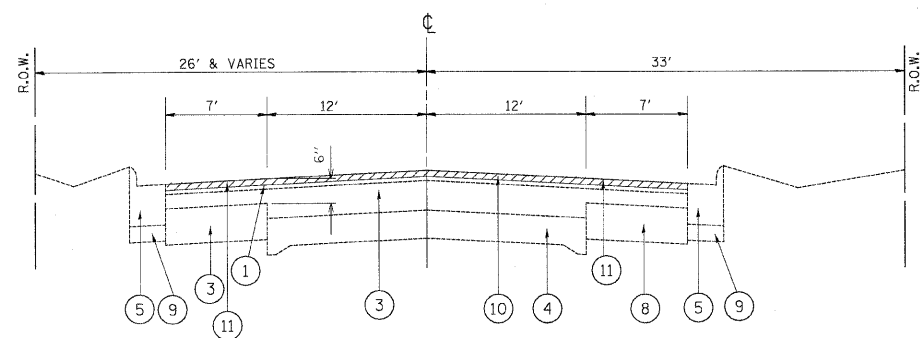


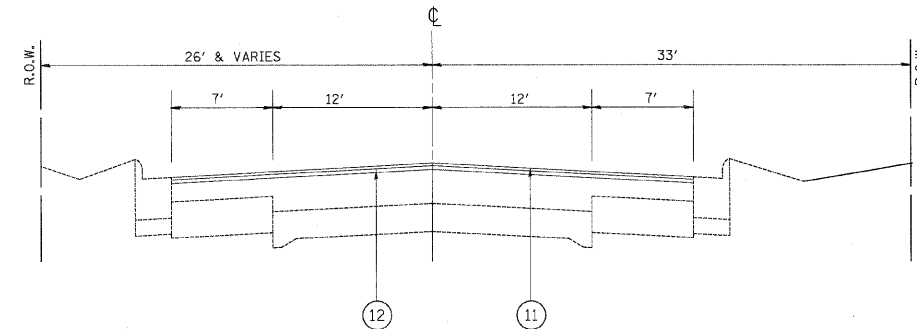
EXISTING TYPICAL SECTION  
ILLINOIS RTE. 59  
FROM STA. 105+00 TO 114+00



PROPOSED TYPICAL SECTION  
ILLINOIS RTE. 59  
FROM STA. 105+00 TO STA. 114+00



PROPOSED TYPICAL SECTION  
ILLINOIS RTE. 59  
FROM STA. 101+00 TO STA. 105+00



PROPOSED TYPICAL SECTION  
ILLINOIS RTE. 59  
FROM STA. 101+00 TO STA. 105+00

LEGEND

- ① EXIST. HMA SURFACE COURSE 2-1/2"
- ② EXIST. HMA PAVEMENT 3-1/2"
- ③ EXIST. HMA BASE COURSE WIDENING 9"
- ④ EXIST. P.C. CONCRETE PAVEMENT 9"
- ⑤ EXIST. COMB. CURB AND GUTTER, TY B-6.24
- ⑥ EXIST. AGGREGATE SHOULDER TY B
- ⑦ EXIST. HMA SHOULDER 8"
- ⑧ EXIST. AGGREGATE SUBGRADE
- ⑨ EXIST. SUBBASE GRANULAR MATERIAL
- ⑩ PROP. HMA SURFACE REMOVAL 2-1/4"
- ⑪ PROP. HMA SURFACE COURSE, MIX "D" N 70, 1-1/2"
- ⑫ PROP. POLYMERIZED LEVELING BINDER (MACHINE METHOD), IL-4.75, N 50, 3/4"
- ⑬ PROP. AGGREGATE WEDGE SHOULDER TYPE B

NOTE: CONTRACTOR SHALL MILL FIRST BEFORE PATCHING

FOR USE WITH SHEETS 4A & 4B OF 21.

⚠ SHEET ADDED - 03/24/2010

FILE NAME =	USER NAME = #USER#	DESIGNED -	REVISED -
#FILE#		DRAWN -	REVISED -
	PLOT SCALE = #SCALE#	CHECKED -	REVISED -
	PLOT DATE = #DATE#	DATE -	REVISED -

STATE OF ILLINOIS  
DEPARTMENT OF TRANSPORTATION

ILLINOIS ROUTE 59 EXISTING AND PROPOSED TYPICAL SECTIONS			
SCALE:	SHEET NO.	OF SHEETS	STA. TO STA.

F.A.P. RTE.	SECTION	COUNTY	TOTAL SHEETS	SHEET NO.
104	W-EXT-I	LAKE	21	3E
CONTRACT NO. 60J52				ILLINOIS FED. AID PROJECT