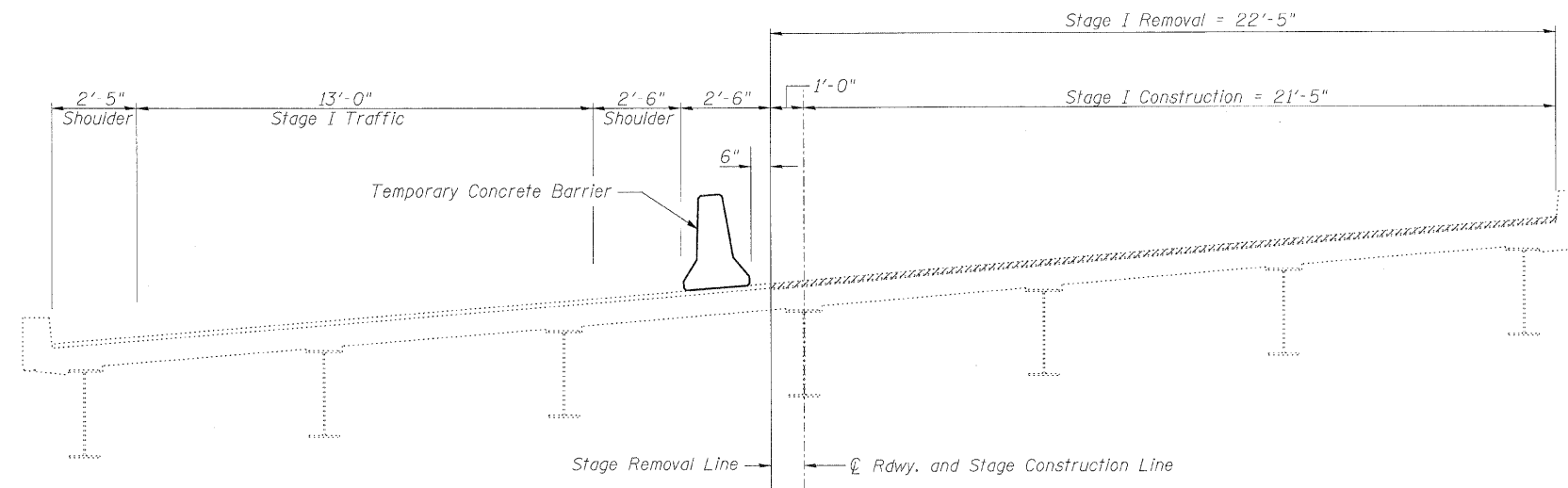
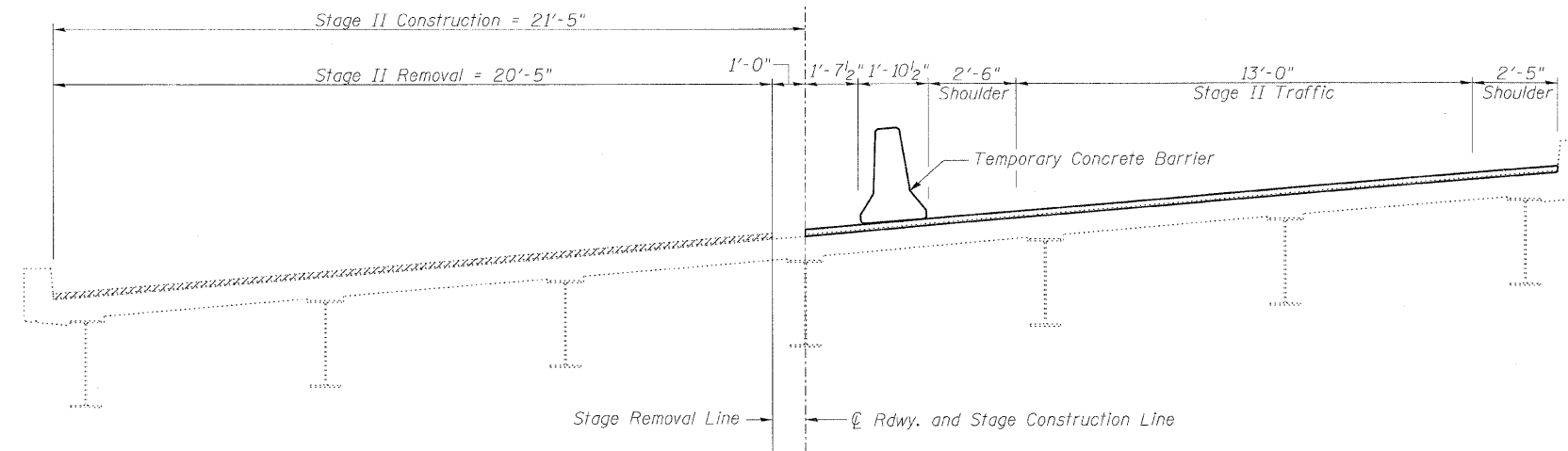


STATE OF ILLINOIS
DEPARTMENT OF TRANSPORTATION



STAGE I REMOVAL & CONSTRUCTION
(Looking West)



STAGE II REMOVAL & CONSTRUCTION
(Looking West)

STAGE CONSTRUCTION DETAILS
STRUCTURE NO. 049-0017

<p>LIN ENGINEERING, LTD. Consulting Engineers Chatham, Illinois</p>	SHEET NO. 2	F.A.P. RTE.	SECTION	COUNTY	TOTAL SHEETS	SHEET NO.	
	6 SHEETS	104	W-EXT-1	LAKE	21	9	
Designed By: ESH Checked By: MTH Drawn By: ESH Date: 1/2010 File: 049-0017.dgn		CONTRACT NO. 60J52				FED. ROAD DIST. NO. _ ILLINOIS FED. AID PROJECT	