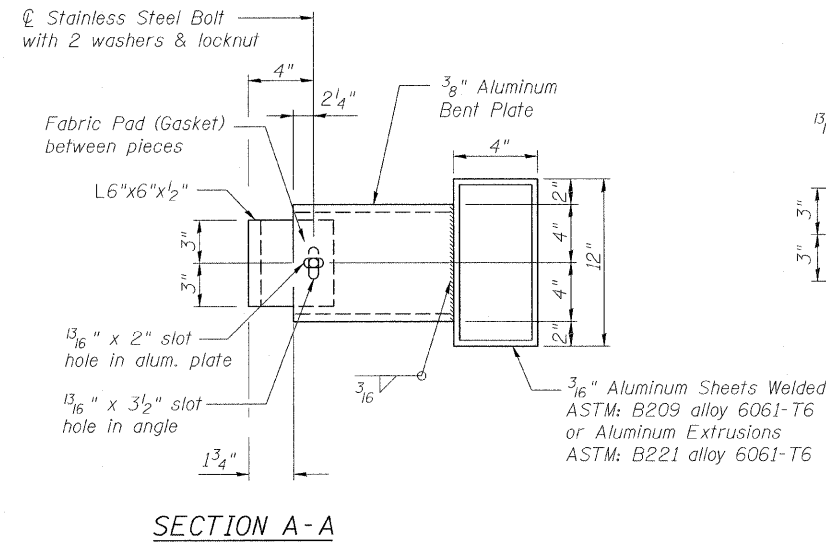
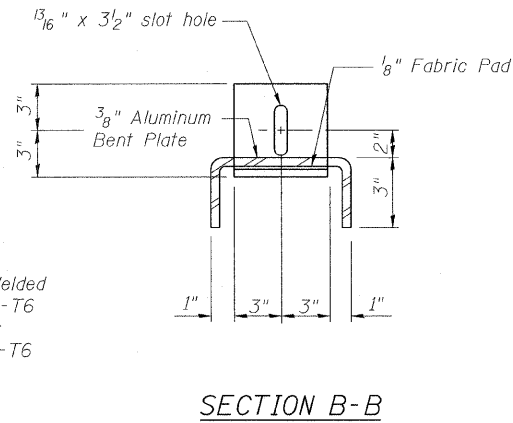


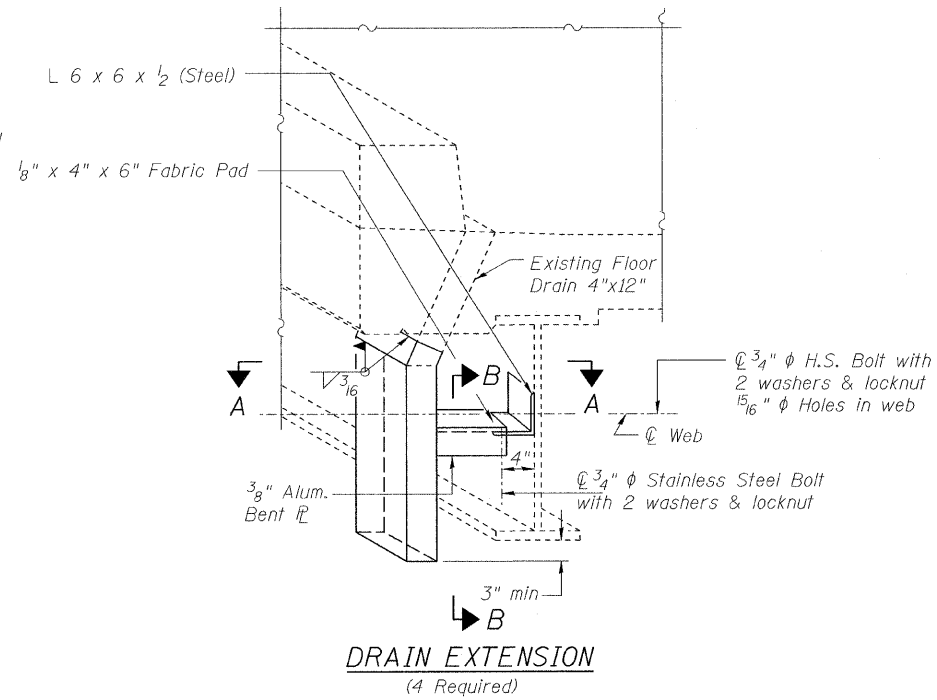
STATE OF ILLINOIS
DEPARTMENT OF TRANSPORTATION



SECTION A-A



SECTION B-B

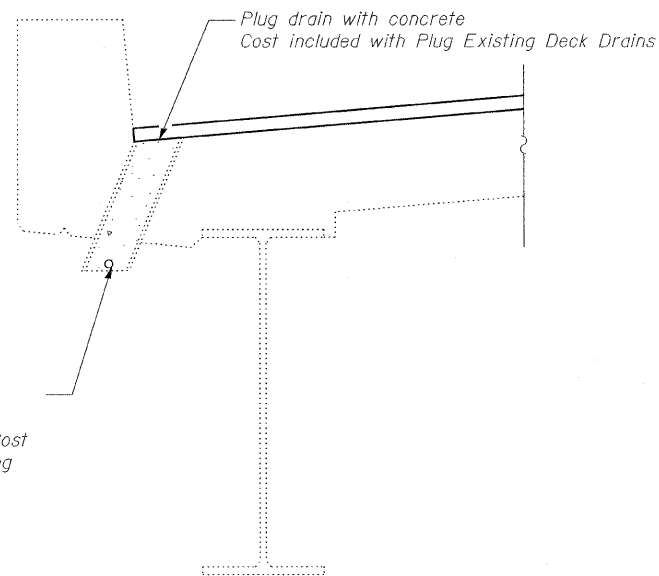


DRAIN EXTENSION
(4 Required)

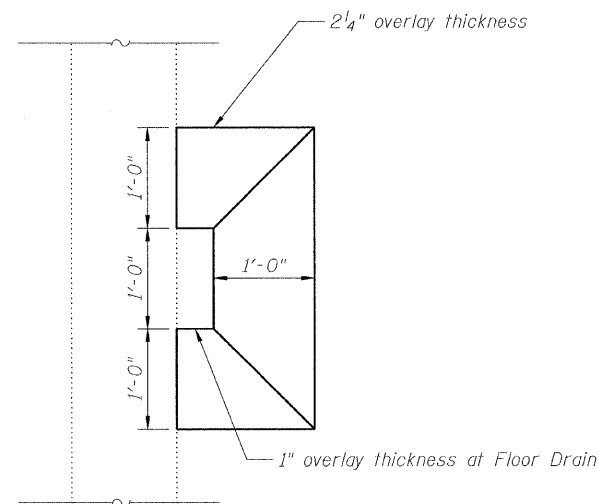
Notes:

1. All plates, angles, nuts, and washers, unless otherwise shown, shall be galvanized according to AASHTO M111 or M232 as applicable.

DRAIN EXTENSION DETAILS
(4 required)



DRAIN ELIMINATION DETAIL
(2 Required)



OVERLAY AT DRAIN EXTENSION
(4 Locations)

BILL OF MATERIAL

Item	Unit	Total
Floor Drain Extension	Each	4
Plug Existing Deck Drains	Each	2

DECK DRAIN DETAILS
STRUCTURE NO. 049-0017

<p>LIN ENGINEERING, LTD. Consulting Engineers Chatham, Illinois</p>	SHEET NO. 5	F.A.P. RTE. 104	SECTION W-EXT-I	COUNTY LAKE	TOTAL SHEETS 21	SHEET NO. 12
	6 SHEETS	CONTRACT NO. 60J52		FED. ROAD DIST. NO. - ILLINOIS FED. AID PROJECT		

Designed By: ESH
Checked By: MTH
Date: 1/2010

Drawn By: ESH
File: 049-0017.dgn