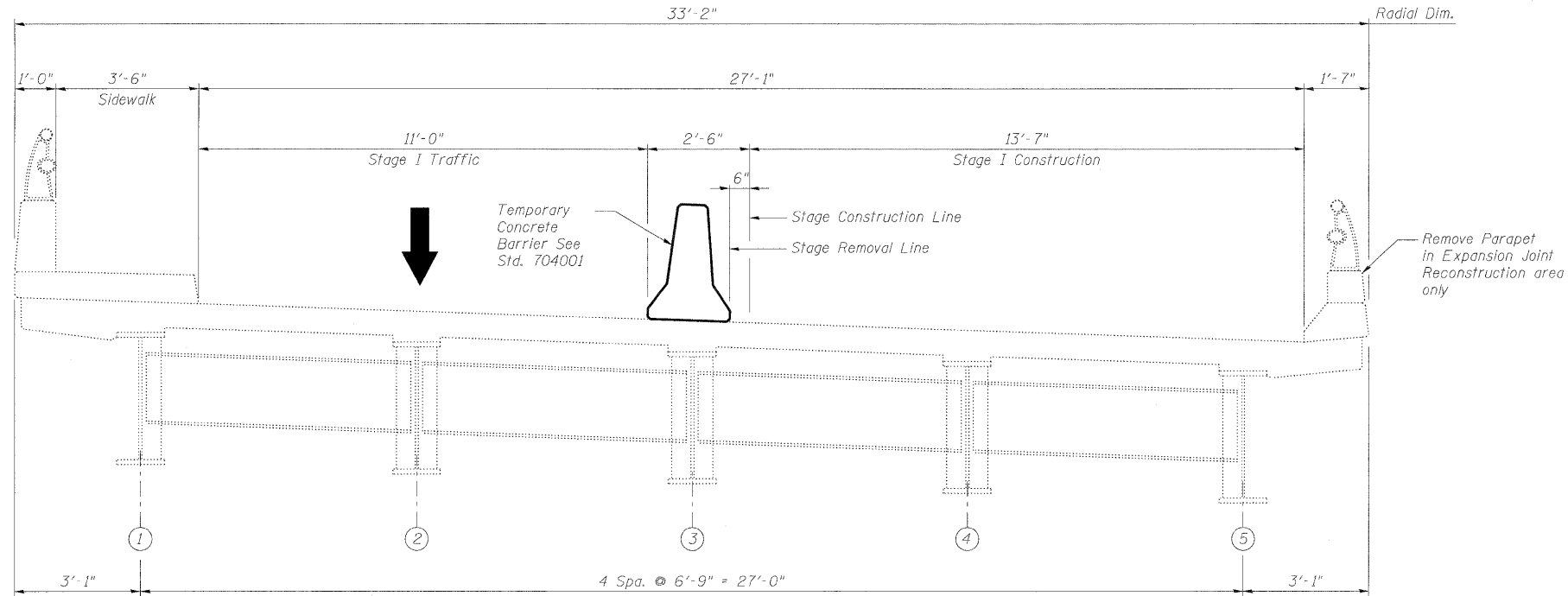
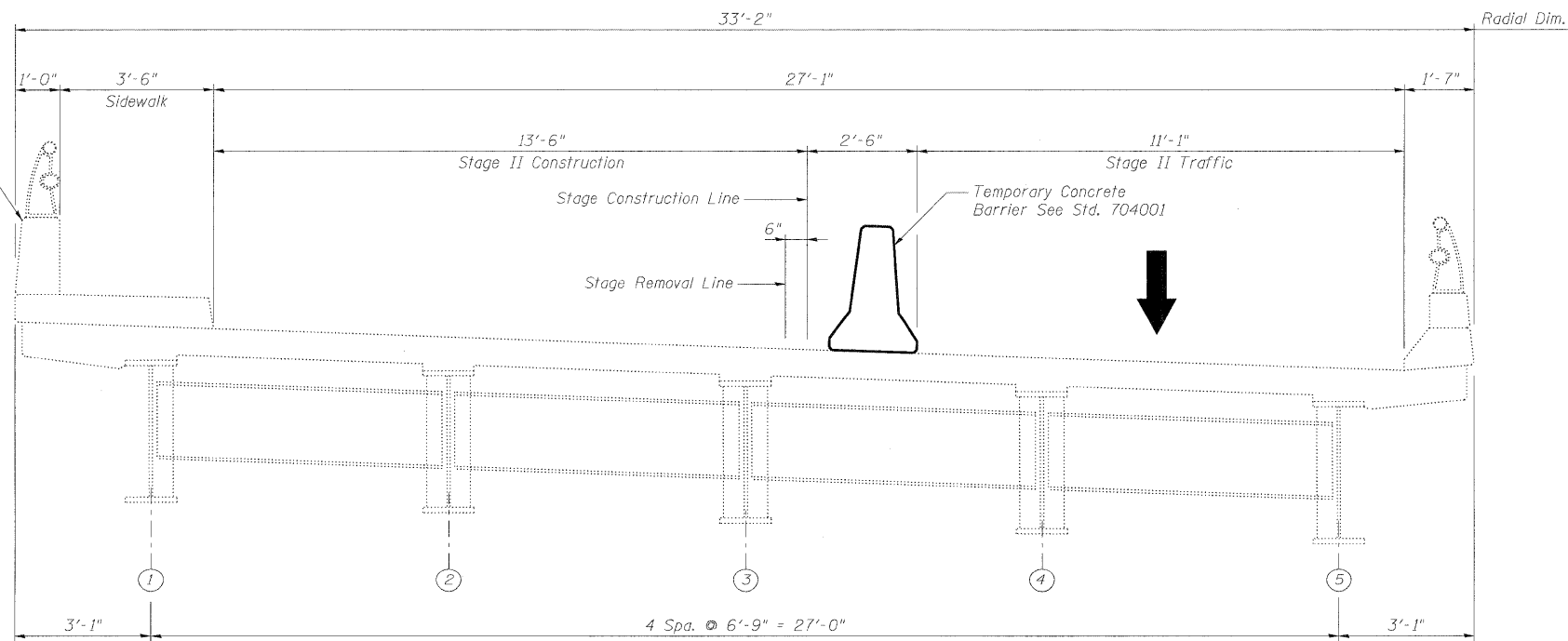


STATE OF ILLINOIS
DEPARTMENT OF TRANSPORTATION



STAGE I CROSS SECTION
(Looking East)



STAGE II CROSS SECTION
(Looking East)

Note:

For quantity of Temporary Concrete Barrier, see Roadway Plans.

DESIGNED	JLS
CHECKED	KJN
DRAWN	RMG
CHECKED	KWS

benesch

alfred benesch & company
Engineers • Surveyors • Planners
205 North Michigan Avenue, Suite 2400
Chicago, Illinois 60601
312-565-0450 Job No. 10032.13

SHEET NO. 3 14 SHEETS	F.A.U. RTE.	SECTION	COUNTY	TOTAL SHEETS	SHEET NO.
	3531	1515.1-1	COOK	35	14
FED. ROAD DIST. NO.			ILLINOIS	FED. AID PROJECT	
CONTRACT NO. 60J58					

STAGE CONSTRUCTION DETAILS
STRUCTURE NO. 016-2519