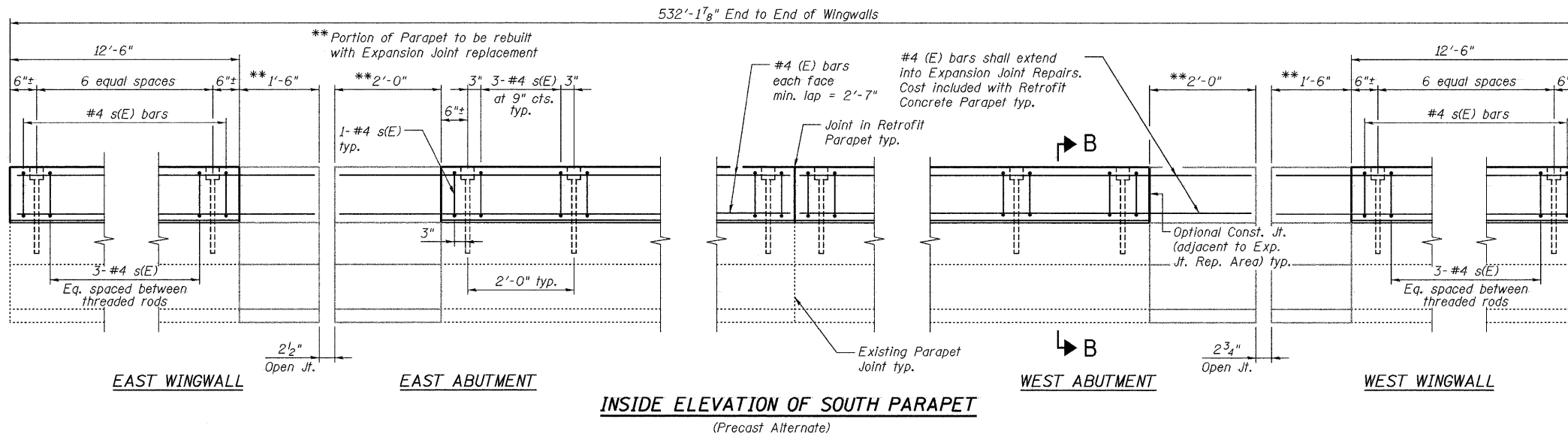
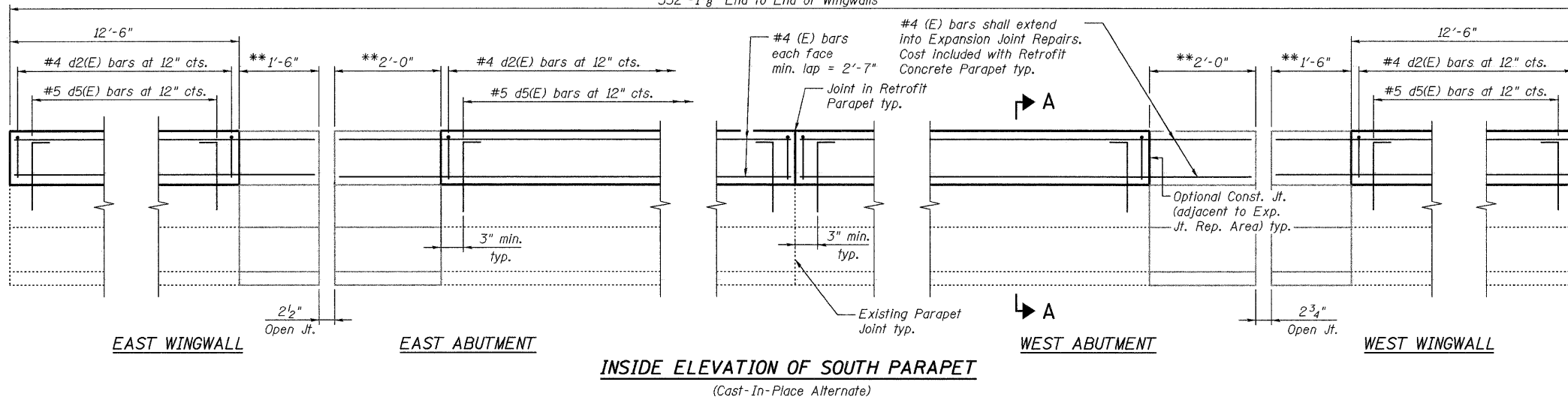


STATE OF ILLINOIS
DEPARTMENT OF TRANSPORTATION

** Portion of Parapet to be rebuilt with Expansion Joint replacement

532'-1 7/8" End to End of Wingwalls



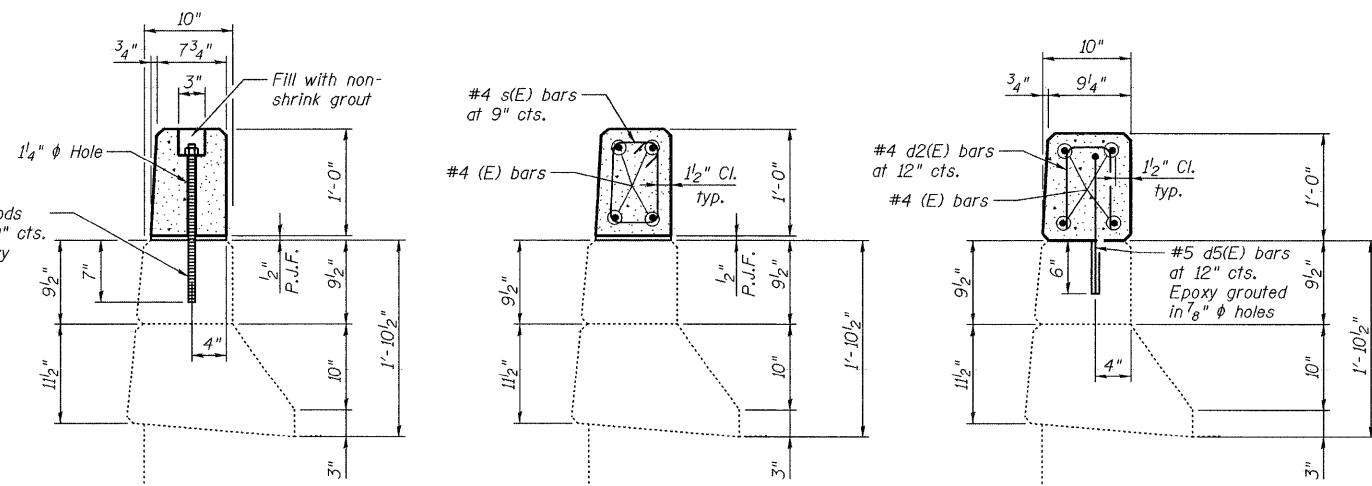
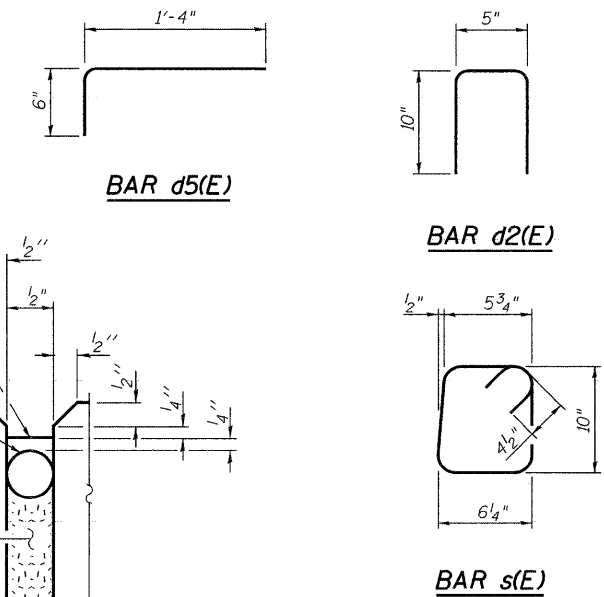
Notes:

- Class SI Concrete shall be used throughout for Cast-in-Place option.
- Class PC Concrete shall be used throughout for Precast option.
- All exposed edges shall be chamfered 3/4".
- Cost of all materials, labor and equipment to complete the work as detailed and as specified in the Special Provisions shall be included in the cost of "Retrofit Concrete Parapet".
- The Contractor shall use the capsule or adhesive cartridge type anchor rods that have been previously tested and given a prior approval by the Department. The Contractor shall install these rods in pre-drilled holes according to the manufacturer's recommendations and procedures.
- The capsule or adhesive cartridge shall be sealed glass capsule or a sealed glass adhesive cartridge containing premeasured amount of adhesive chemical. The threaded rod stud with nut & washers shall conform to ASTM A307.
- Epoxy grout d5(E) bars in 7/8" ϕ x 6" (min.) holes. The grout and the method of application shall be approved by the Department. (See Section 584 of the Standard Specifications). Cost included with "Retrofit Concrete Parapet".
- Retrofit Concrete Parapet shall be used on the south side over the full length of the bridge less portions poured with expansion joint repairs.
- The existing railing shall be removed along the entire length of the south parapet and disposed of according to Article 501.05 of the Standard Specifications. Cost included with Retrofit Concrete Parapet.
- Work this sheet with Expansion Joint Details sheet.
- See Existing Plan Information sheets for existing parapet and aluminum railing details.

BILL OF MATERIAL

ITEM	UNIT	TOTAL
Retrofit Concrete Parapet	Foot	525 ▲

▲ Includes removal of 59 railing posts. (For Information only)



DESIGNED -	MFB
CHECKED -	KWS
DRAWN -	RMG
CHECKED -	KWS

PRECAST ALTERNATE
(Showing Attachment)

PRECAST ALTERNATE
(Showing Reinforcement)

CAST-IN-PLACE ALTERNATE

SECTION B-B

SECTION A-A

benesch

alfred benesch & company
Engineers • Surveyors • Planners
205 North Michigan Avenue, Suite 2400
Chicago, Illinois 60601
312-565-0450 Job No. 10032.13

SHEET NO. 5 14 SHEETS	F.A.U. RTE. 3531	SECTION 1515.1-I	COUNTY COOK	TOTAL SHEETS 35	SHEET NO. 16
	CONTRACT NO. 60J58				
FED. ROAD DIST. NO.		ILLINOIS	FED. AID PROJECT		

x:\100000\10032\engineer\ng-documents_contract_60J58\16_2519_higgins_r.d\2519-60J58-005-Parapet-retrofit.dwg 14:43:02 04/07/2010