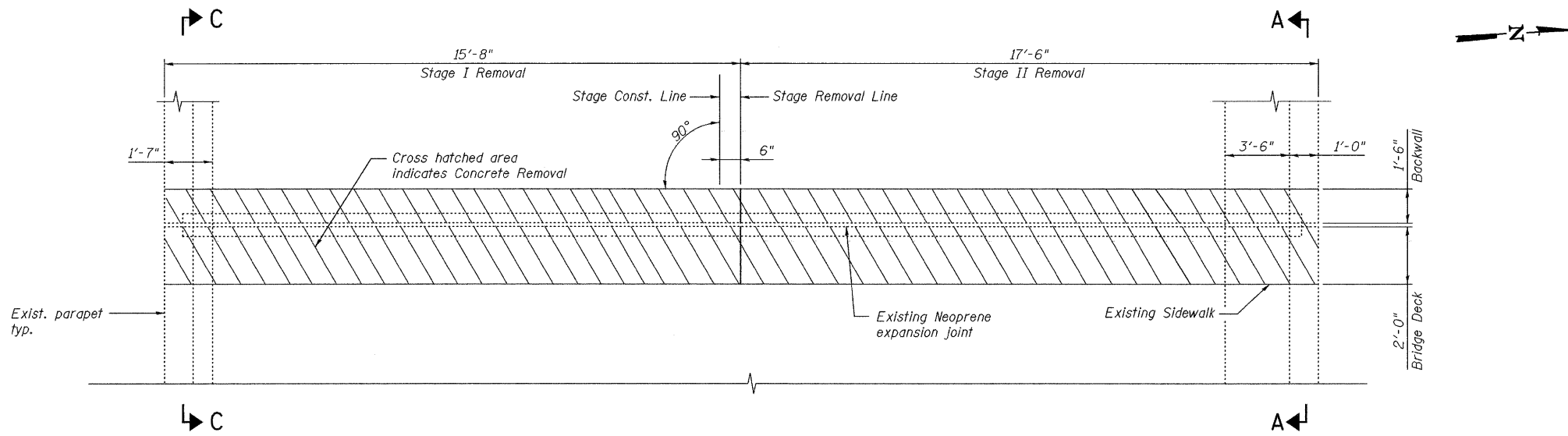


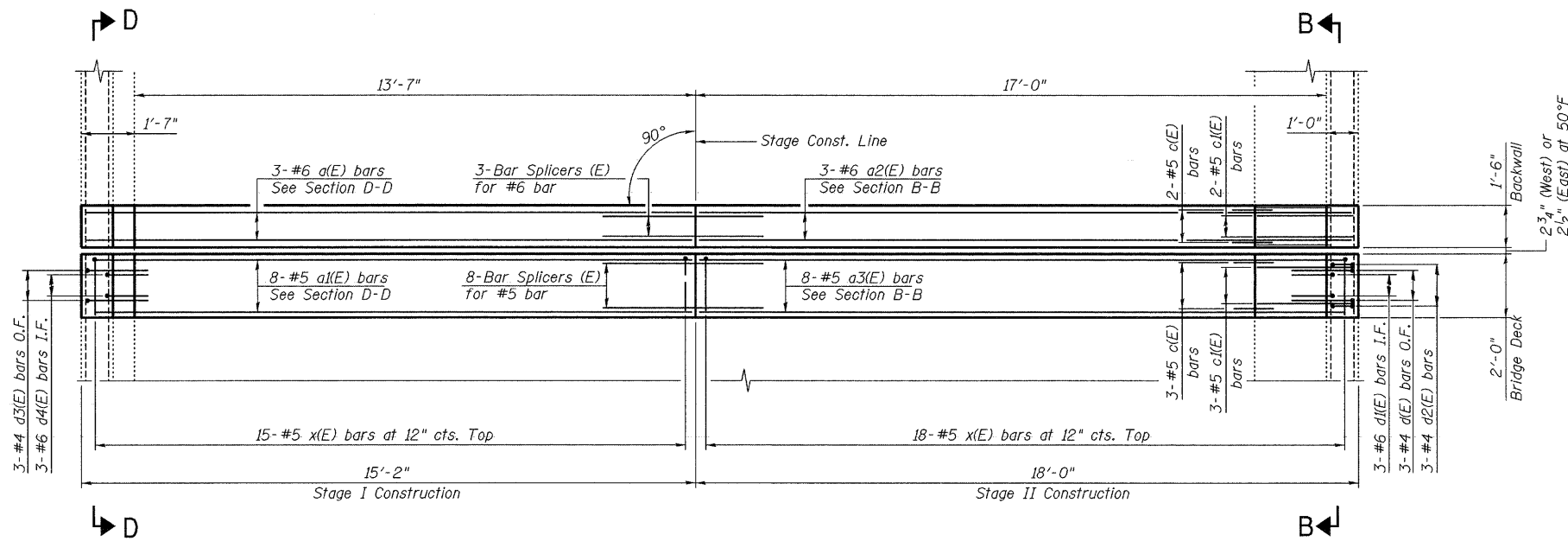
STATE OF ILLINOIS
DEPARTMENT OF TRANSPORTATION

BILL OF MATERIAL

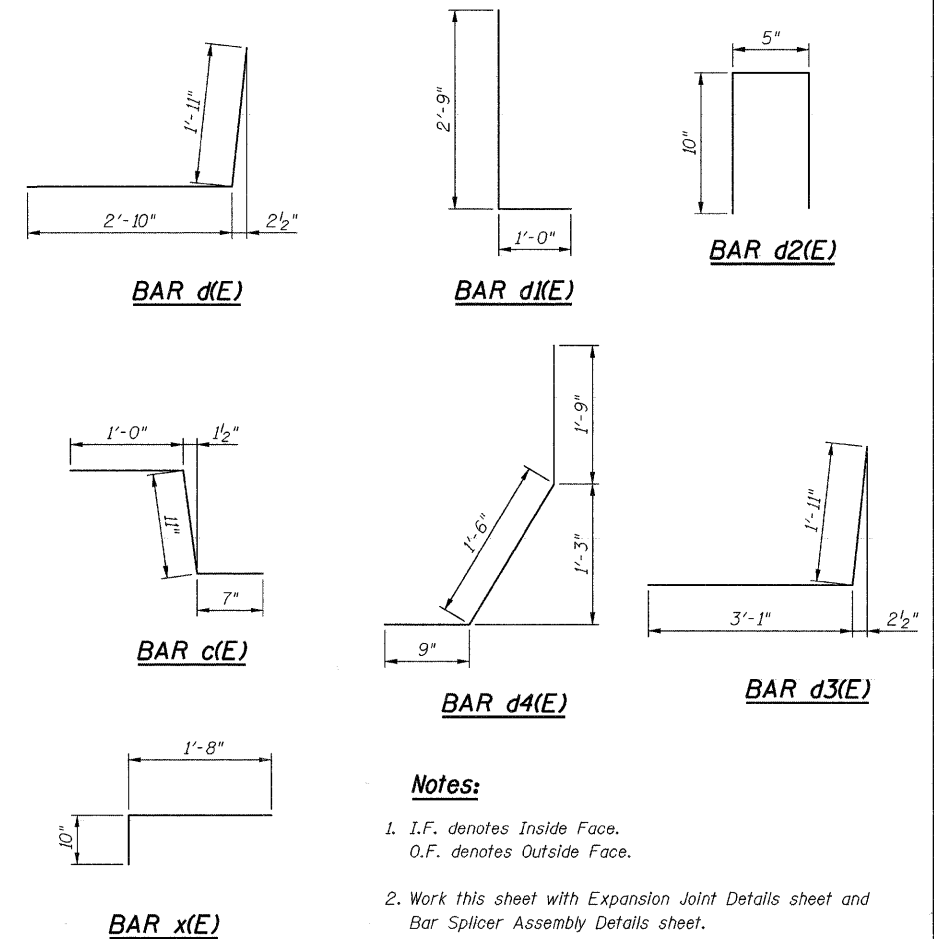
Bar	No.	Size	Length	Shape
a(E)	6	#6	14'-8"	—
a1(E)	16	#5	14'-8"	—
a2(E)	6	#6	17'-6"	—
a3(E)	16	#5	17'-6"	—
c(E)	10	#5	2'-6"	┌
c1(E)	10	#5	4'-0"	—
d(E)	6	#4	4'-9"	└
d1(E)	6	#6	3'-9"	└
d2(E)	6	#4	2'-1"	└
d3(E)	6	#4	5'-0"	└
d4(E)	6	#6	4'-0"	└
x(E)	66	#5	2'-6"	└
Item		Unit	Total	
Concrete Removal		Cu. Yd.	13.0	
Concrete Superstructure		Cu. Yd.	14.3	
Reinforcement Bars, Epoxy Coated		Pound	1,190	



EXISTING PARTIAL PLAN AT WEST ABUTMENT
(Opposite Hand for East Abutment)



PROPOSED PARTIAL PLAN AT WEST ABUTMENT
(Opposite Hand for East Abutment)



Notes:

- I.F. denotes Inside Face.
O.F. denotes Outside Face.
- Work this sheet with Expansion Joint Details sheet and Bar Splicer Assembly Details sheet.

DESIGNED -	MFB
CHECKED -	KWS
DRAWN -	RMG
CHECKED -	KWS

benesch

alfred benesch & company
Engineers • Surveyors • Planners
205 North Michigan Avenue, Suite 2400
Chicago, Illinois 60601
312-565-0450 Job No. 10032.13

SHEET NO. 6 14 SHEETS	F.A.U. RTE. 3531	SECTION 1515.1-I	COUNTY COOK	TOTAL SHEETS 35	SHEET NO. 17
	CONTRACT NO. 60J58			FED. ROAD DIST. NO. ILLINOIS FED. AID PROJECT	