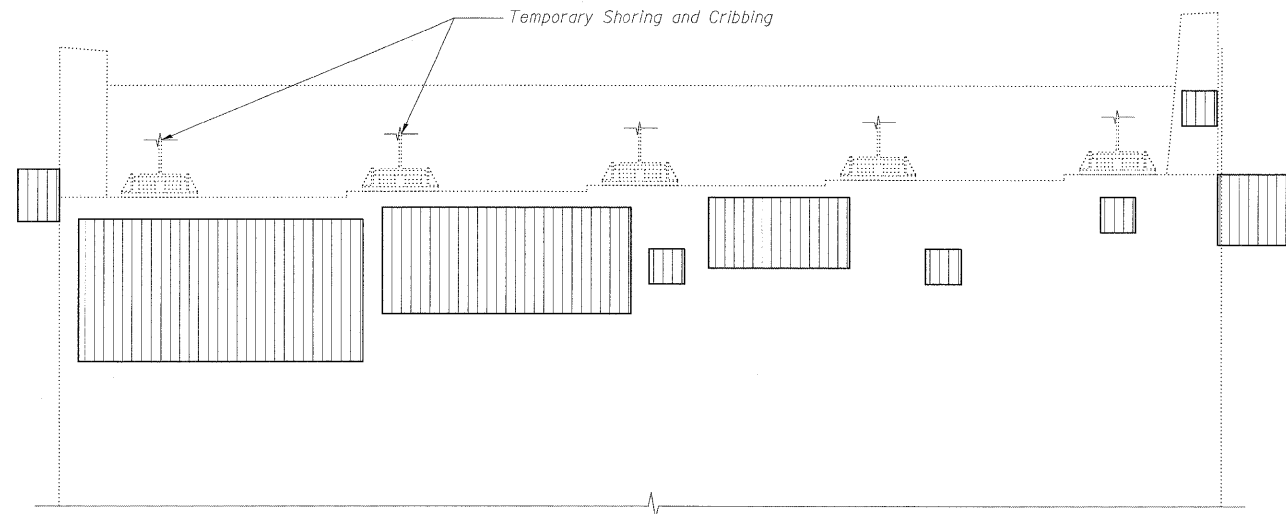
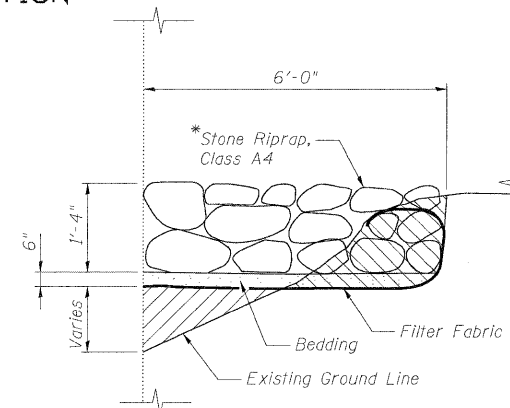


STATE OF ILLINOIS  
DEPARTMENT OF TRANSPORTATION



**ELEVATION - WEST ABUTMENT REPAIRS**  
(Looking West)



**SECTION C-C**

\* Due to varying erosion levels, excavate and grade slope to create a uniform 1'-10' deep by 6'-0" wide trench along the abutment. Excess soil shall be spread across adjacent slope. Cost included with Stone Riprap, Class A4.

**BILL OF MATERIAL**

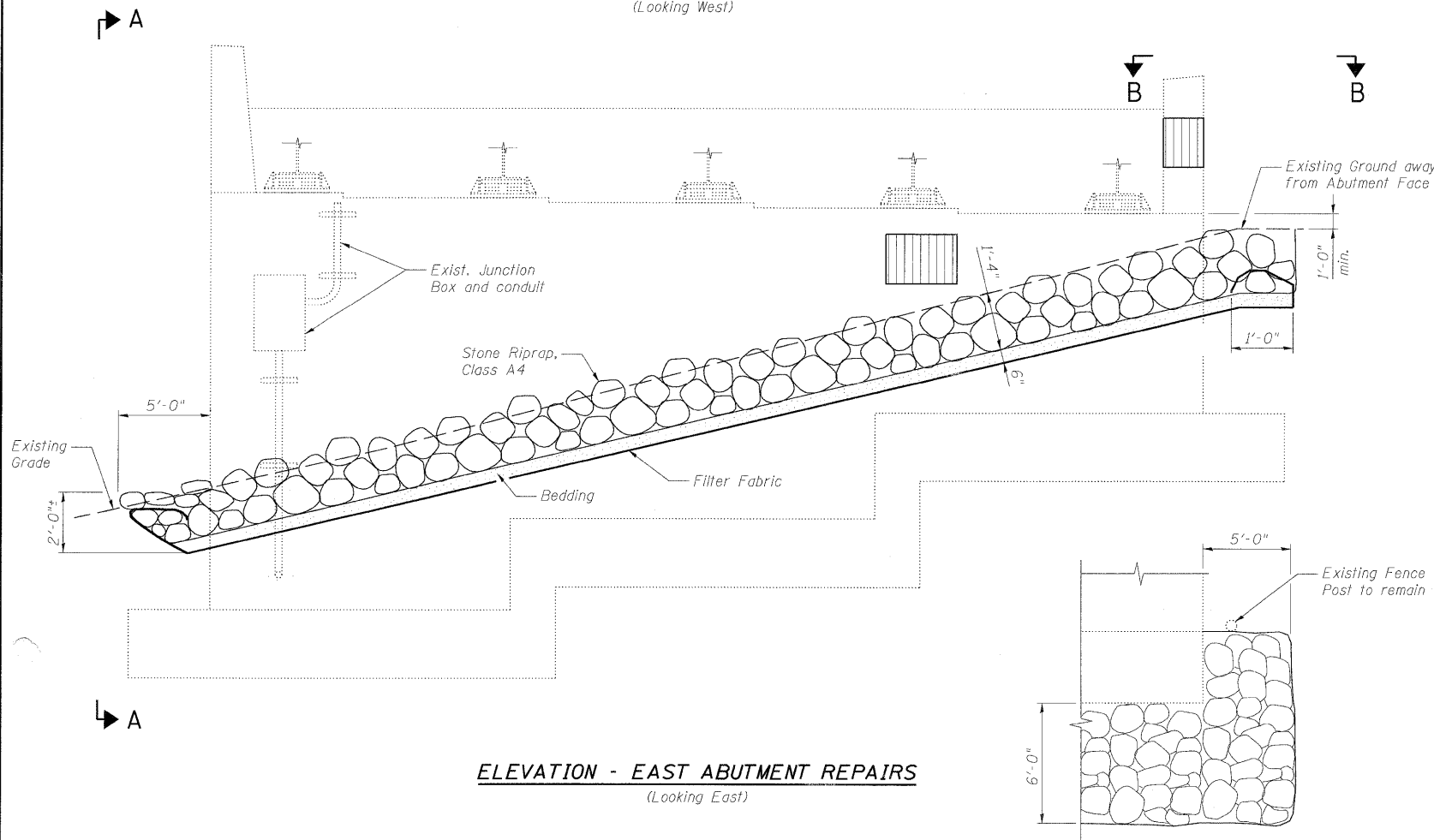
SYMBOL	ITEM	UNIT	QUANTITY
	Structural Repair of Concrete (Depth Equal to or Less Than 5 Inches)	Sq. Ft.	105
	Temporary Shoring and Cribbing	Each	2
	Stone Riprap, Class A4	Sq. Yd.	30
	Filter Fabric	Sq. Yd.	30
	Concrete Sealer	Sq. Ft.	315

**MAXIMUM BEAM REACTIONS (KIPS)**

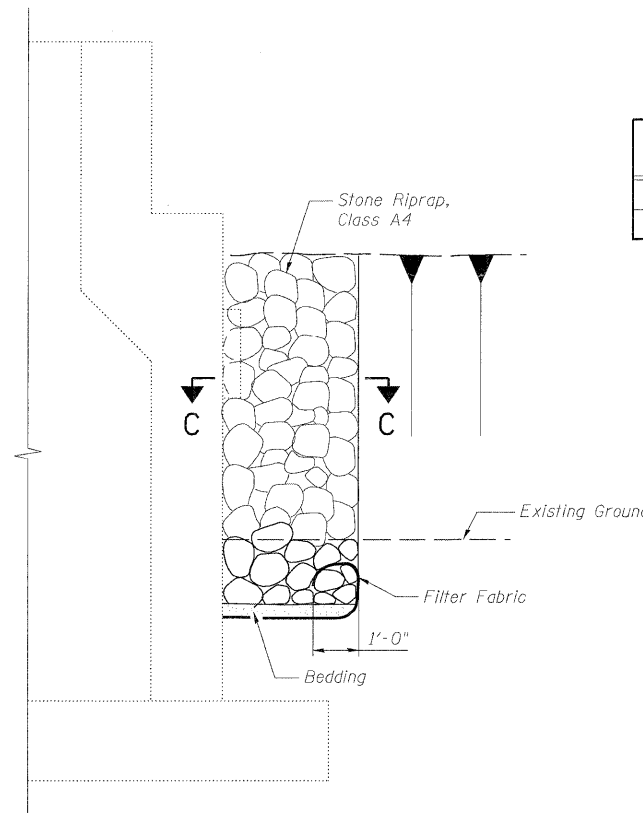
LOCATION	DEAD LOAD	LIVE LOAD	IMPACT LOAD	TOTAL
W. Abut.	25.0	40.0	13.0	78.0
E. Abut.	35.0	40.0	13.0	88.0

**Notes:**

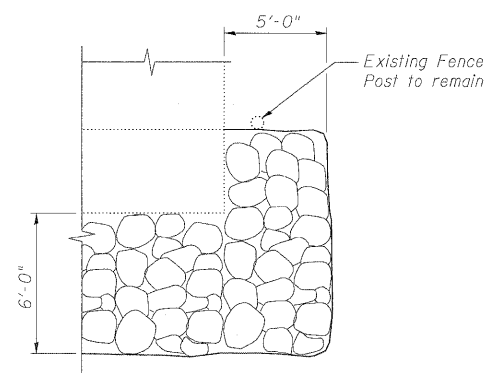
- Substructure repair areas are estimated based on IDOT field notes from October of 2009. Actual repair areas and locations shall be determined by the Engineer and shown on the As-Built plans.
- There is a potential for interference from existing conduits. The Contractor shall remove and reerect or temporarily support the existing conduits to complete the work as detailed. When the work is completed the conduits shall be reconnected to the reconstructed abutment or pier utilizing the existing mounting brackets or new mounting brackets. See Special Provision for "Protection and Maintenance of Existing Underpass Lighting".
- The tabulated beam reactions were taken from the existing construction plans. The Contractor shall verify that the equipment used to support the beams is sufficient to carry these loads in addition to any temporary construction loads.



**ELEVATION - EAST ABUTMENT REPAIRS**  
(Looking East)



**VIEW A-A**



**VIEW B-B**

DESIGNED -	JLS/MFB
CHECKED -	KWS
DRAWN -	RMG
CHECKED -	KWS

**benesch**

alfred benesch & company  
Engineers • Surveyors • Planners  
205 North Michigan Avenue, Suite 2400  
Chicago, Illinois 60601  
312-565-0450 Job No. 10032.13

SHEET NO. 9 14 SHEETS	F.A.U. RTE.	SECTION	COUNTY	TOTAL SHEETS	SHEET NO.
	3531	1515.1-1	COOK	35	20
FED. ROAD DIST. NO.			ILLINOIS FED. AID PROJECT		
CONTRACT NO. 60J58					

**SUBSTRUCTURE REPAIRS - ABUTMENTS**  
**STRUCTURE NO. 016-2519**