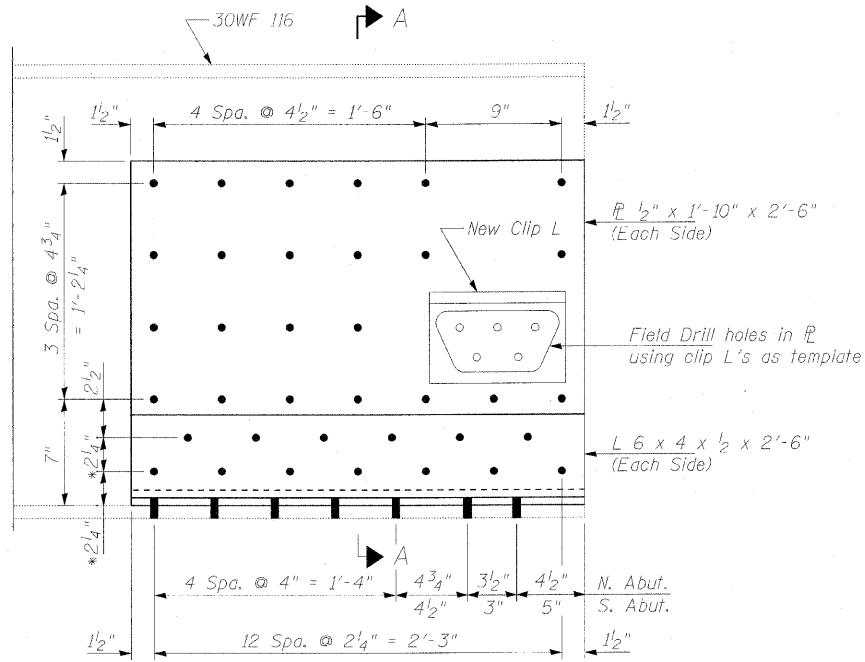
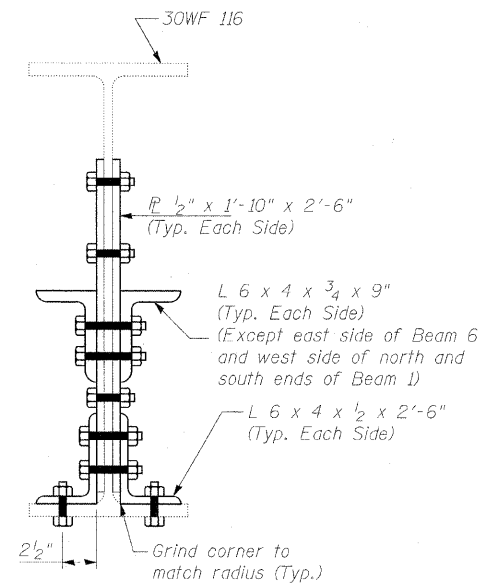


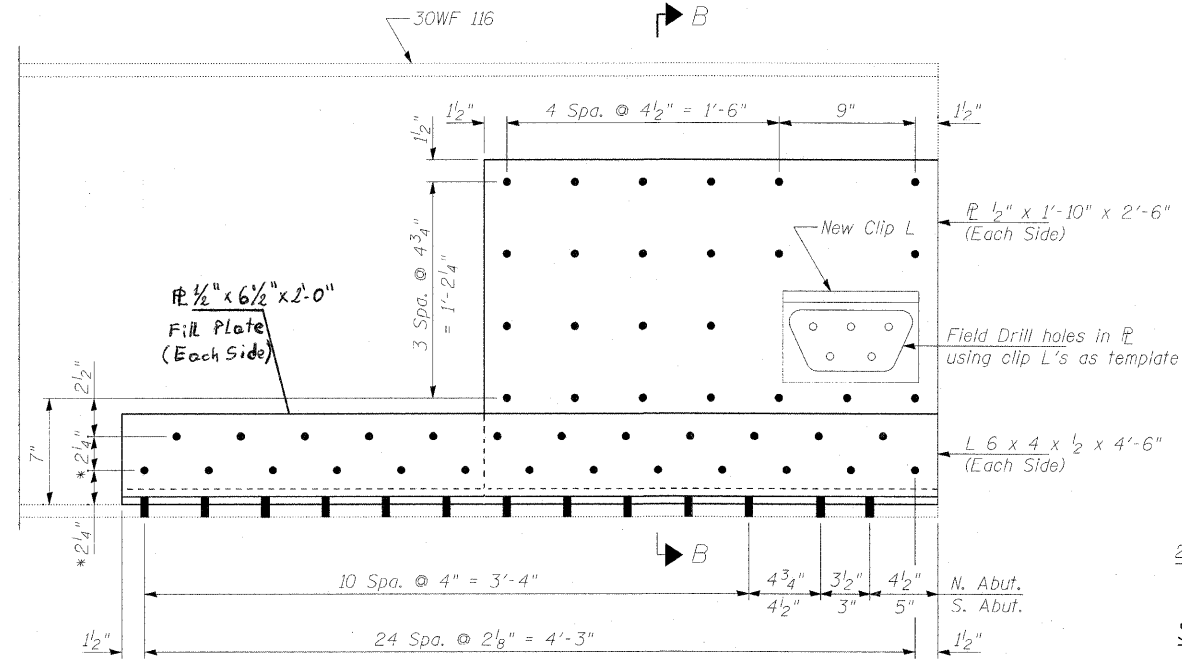
STATE OF ILLINOIS
DEPARTMENT OF TRANSPORTATION



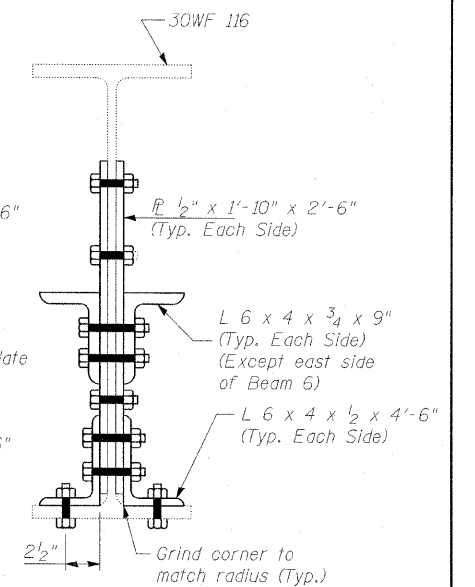
REPAIR DETAIL A



SECTION A-A



REPAIR DETAIL B



SECTION B-B

* Shop drill holes in L 6 x 4 x 1/2". Field drill holes in R and bottom flange using holes in L as template.

BILL OF MATERIAL

ITEM	UNIT	QUANTITY
Structural Steel Repair	Pound	3470

REPAIR DETAIL A AND B
STRUCTURE NO. 049-0012

DESIGNED JWK	2010
CHECKED JMH	EXAMINED
DRAWN DR	PASSED
CHECKED JWK	ENGINEER OF BRIDGES AND STRUCTURES

SHEET NO. S6 OF S15 SHEETS	F.A.U. RTE.	SECTION	COUNTY	TOTAL SHEETS	SHEET NO.
	2711	K-VB-I	LAKE	21	9
			CONTRACT NO. 60J63		
ILLINOIS FED. AID PROJECT					