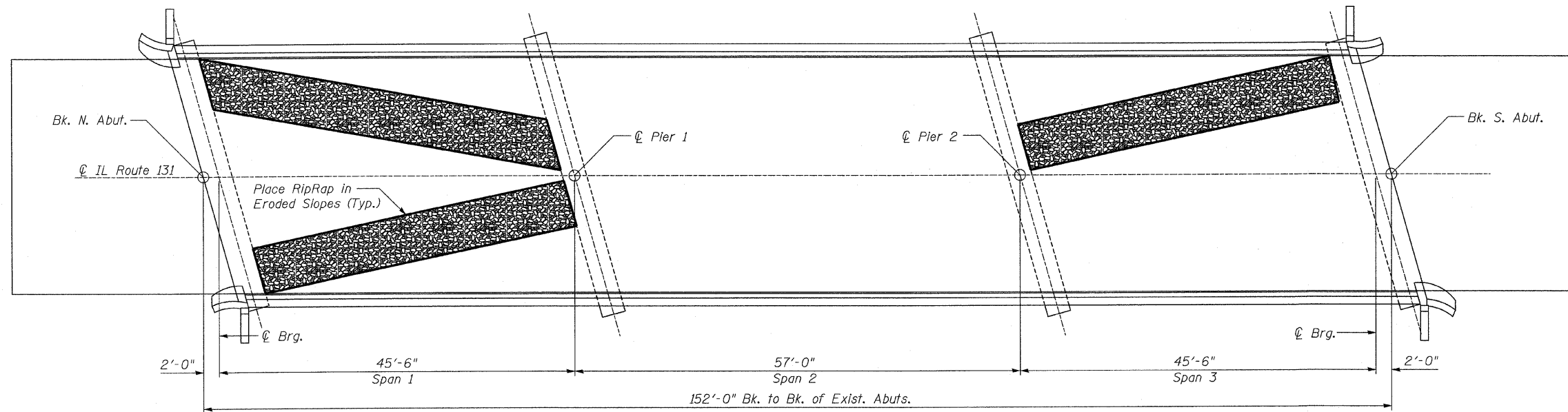
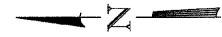
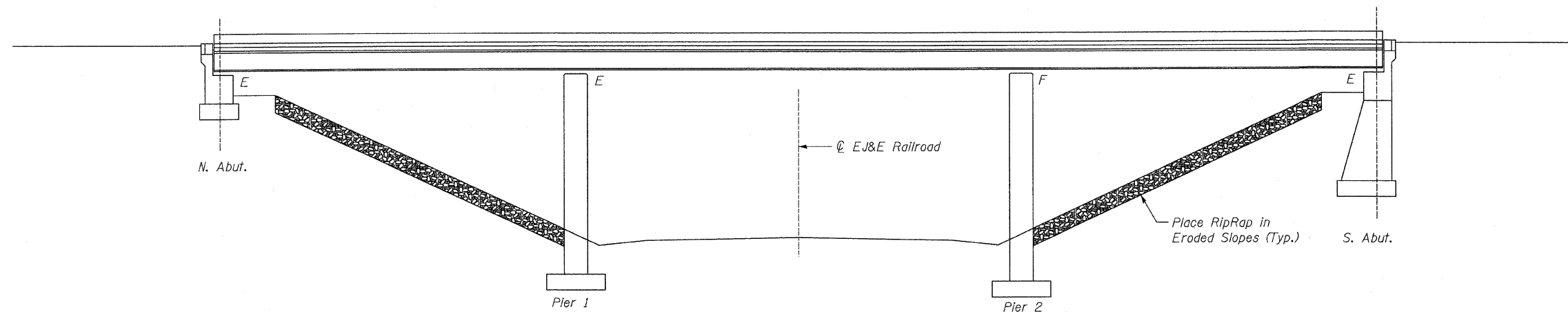


STATE OF ILLINOIS
DEPARTMENT OF TRANSPORTATION



PLAN



ELEVATION

BILL OF MATERIAL

ITEM	UNIT	QUANTITY
Stone Rip Rap, Class A3	Ton	60

STONE RIPRAP PLACEMENT
STRUCTURE NO. 049-0012

DESIGNED <i>JWK</i>	January, 2010
CHECKED <i>JMH</i>	EXAMINED
DRAWN <i>DR</i>	ENGINEER OF STRUCTURAL SERVICES
CHECKED <i>JWK</i>	PASSED
	ENGINEER OF BRIDGES AND STRUCTURES

SHEET NO. S15 OF S15 SHEETS	F.A.U. RTE.	SECTION	COUNTY	TOTAL SHEETS	SHEET NO.
	2711	K-VB-I	LAKE	21	18
CONTRACT NO. 60J63			ILLINOIS FED. AID PROJECT		