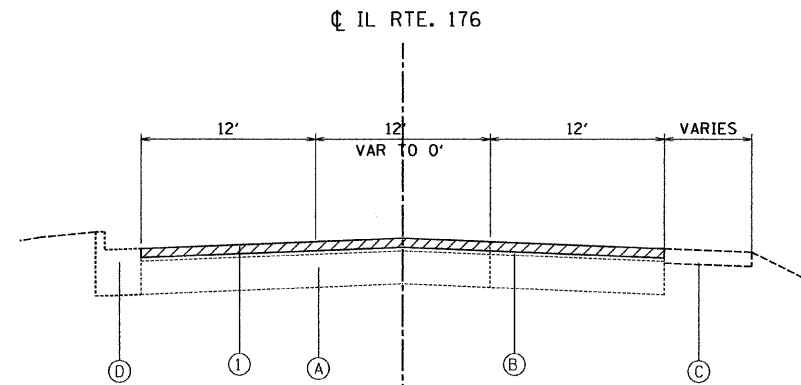


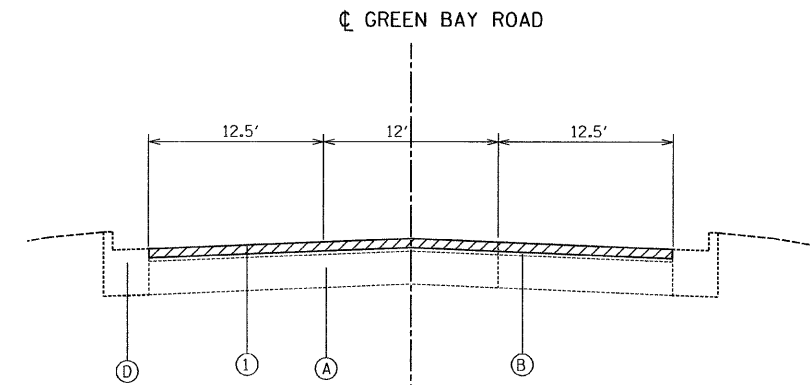
EXISTING TYPICAL SECTION

STA. 100+00 TO 126+80
STA. 138+00 TO 161+26



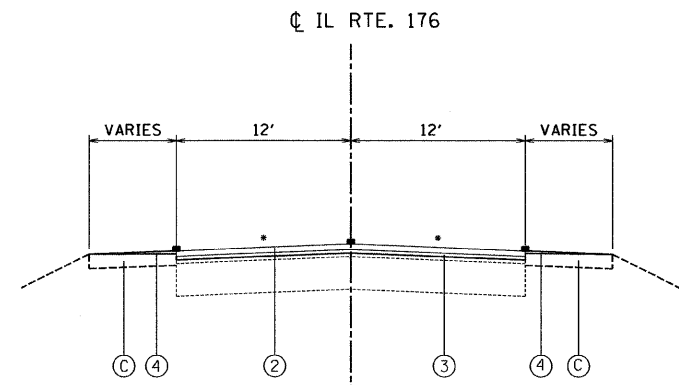
EXISTING TYPICAL SECTION

STA. 93+24 TO 100+00
STA. 130+00 TO 138+00



EXISTING TYPICAL SECTION

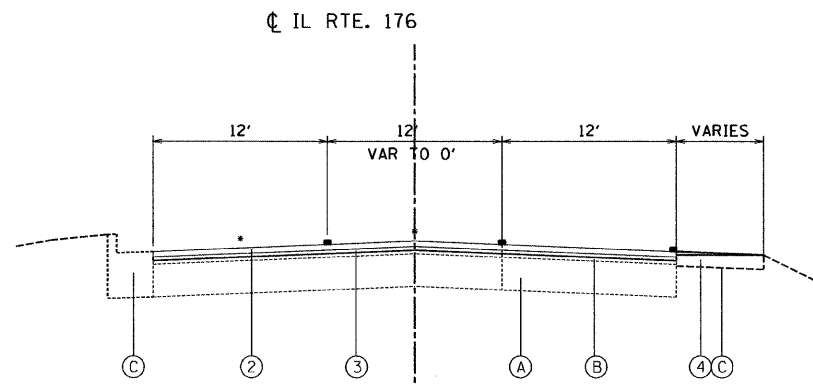
GREEN BAY ROAD



PROPOSED TYPICAL SECTION

STA. 100+00 TO 126+80
STA. 138+00 TO 161+26

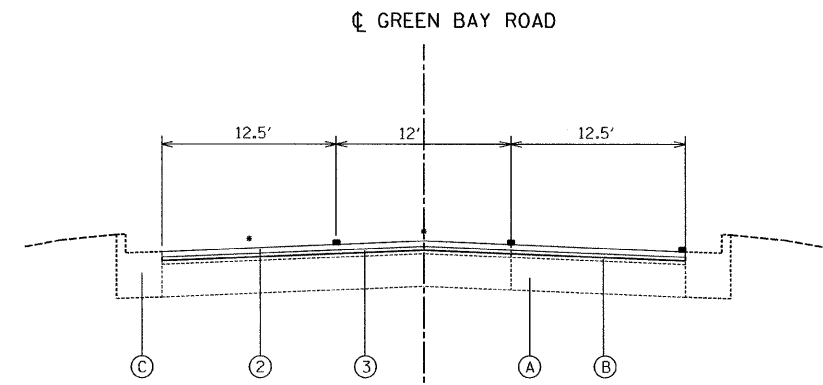
• MAINTAIN EXISTING SLOPE OF PAVEMENT



PROPOSED TYPICAL SECTION

STA. 93+24 TO 100+00
STA. 130+00 TO 138+00

• MAINTAIN EXISTING SLOPE OF PAVEMENT



PROPOSED TYPICAL SECTION

GREEN BAY ROAD

• MAINTAIN EXISTING SLOPE OF PAVEMENT

EXISTING CONDITIONS:

- (A) CONCRETE PAVEMENT
- (B) HMA SURFACE
- (C) AGGREGATE SHOULDER
- (D) COMBINATION CONCRETE CURB AND GUTTER

ITEMS TO BE REMOVED

PROPOSED IMPROVEMENTS:

- ① HOT-MIX ASPHALT SURFACE REMOVAL, 2 1/2"
- ② HOT-MIX ASPHALT SURFACE COURSE, MIX "D", N70, 1 1/2"
- ③ POLYMERIZED LEVELING BINDER (MACHINE METHOD), IL-4.75, N50, 1"
- ④ AGGREGATE WEDGE SHOULDER, TYPE B

▪ PAVEMENT MARKING

NOTE:

SEE PLANS AND DISTRICT ONE DETAIL SHEETS FOR PAVEMENT MARKING AND RAISED REFLECTIVE PAVEMENT MARKER PLACEMENT.

THE CONTRACTOR SHALL MILL FIRST BEFORE PATCHING

H:\job\2009\2009023-23\CAD\STre\dgn\00\DI6066-sh1-typicall.dgn
 2/12/2010 4:24:58 PM

FILE NAME =	USER NAME = .USER.	DESIGNED - EF	REVISED - EF 02-12-2010	STATE OF ILLINOIS DEPARTMENT OF TRANSPORTATION	IL 176 - US 41 TO SHERIDAN ROAD TYPICAL SECTIONS			F.A.U. RTE.	SECTION	COUNTY	TOTAL SHEETS	SHEET NO.
	PLOT SCALE = 50.0000' / IN.	DRAWN - EF	REVISED -		1238	C-RS-9	LAKE	19	4			
	PLOT DATE = 2/12/2010	CHECKED - RS	REVISED -		CONTRACT NO. 60J66							
		DATE - 01/13/2010	REVISED -		ILLINOIS FED. AID PROJECT							
				SCALE: NTS	SHEET NO. 1 OF 1 SHEETS	STA.	TO STA.					