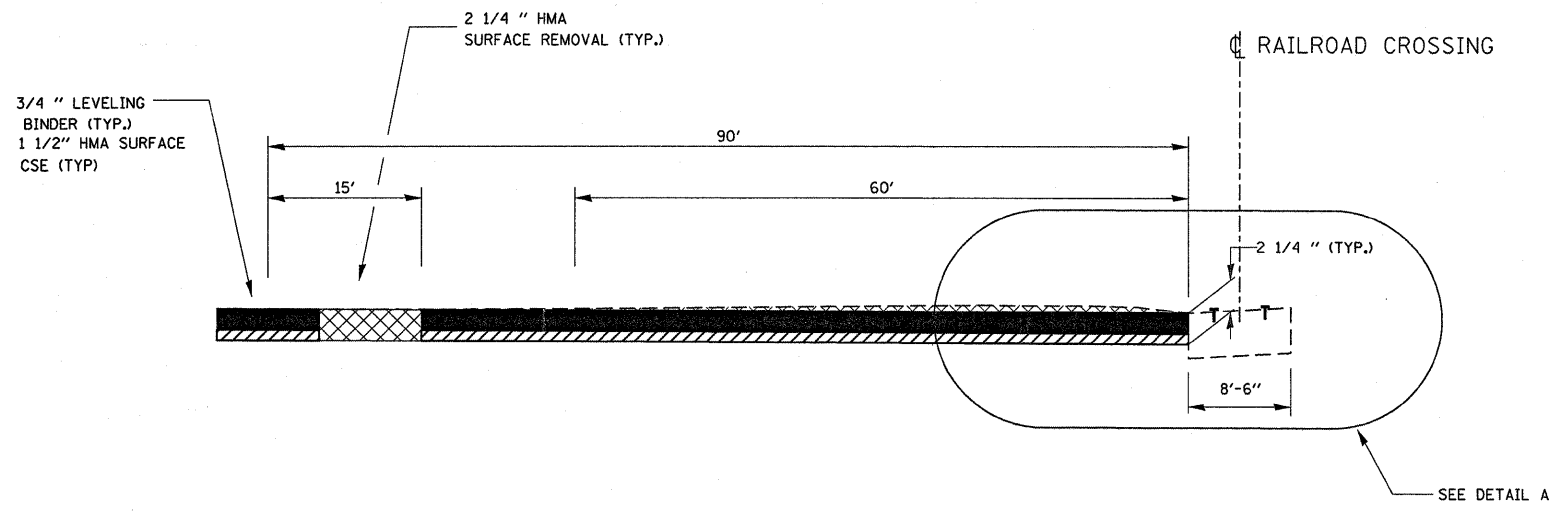
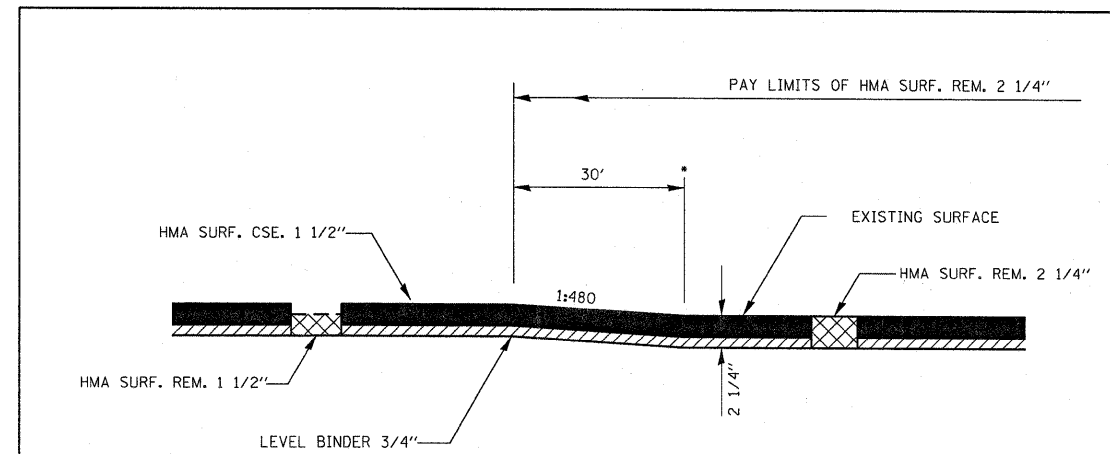


PLAN AT RAILROAD CROSSING EAST OF PONTIAC STREET



BUTT JOINT AT RAILROAD CROSSING



TRANSITION FROM HMA SURF. REM. 1 1/2" TO HMA SURF. REM. 2 1/4"

*STA. 698+95
STA. 1055+25

| | | | |
|---------------------------------------|----------------------------------------|------------|-----------|
| FILE NAME = | USER NAME = breboypc | DESIGNED - | REVISED - |
| c:\pwork\PIWIDT\BRABOYPC\d0118886\DET | PLS.dgn | DRAWN - | REVISED - |
| | PLOT SCALE = 50.0000' / IN. | CHECKED - | REVISED - |
| | PLOT DATE = Jan 02, 2010 - 05:10:06 PM | DATE - | REVISED - |

**STATE OF ILLINOIS
DEPARTMENT OF TRANSPORTATION**

| | |
|--------------------------|-----------------------------|
| DETAILS | |
| SCALE: _____ | SHEET NO. ___ OF ___ SHEETS |
| STA. _____ TO STA. _____ | |

| | | | | |
|---------------------------|-------------------------------|-------------------|-------------------|----------------|
| F.A.P. RTE. 627 | SECTION (M,I,U,N,W,IZ)RS-3 | COUNTY LASALLE | TOTAL SHEETS 9 | SHEET NO. 7 |
| CONTRACT NO. 66598 | | | | |
| ILLINOIS FED. AID PROJECT | | | | |