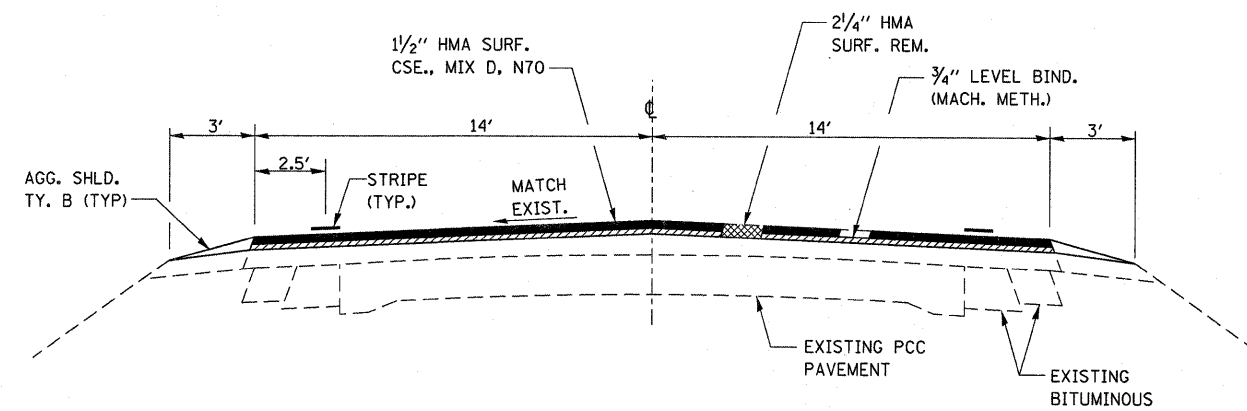


TYPICAL SECTION

STA. 584+05 TO STA. 675+52

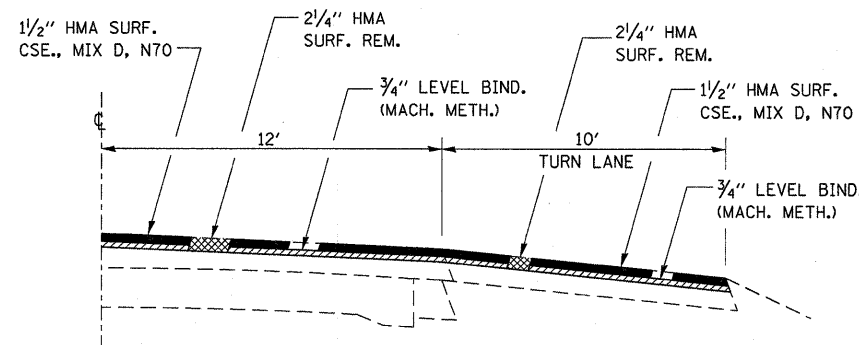


TYPICAL SECTION

STA. 675+52 TO STA. 687+80
STA. 689+44 TO STA. 700+79

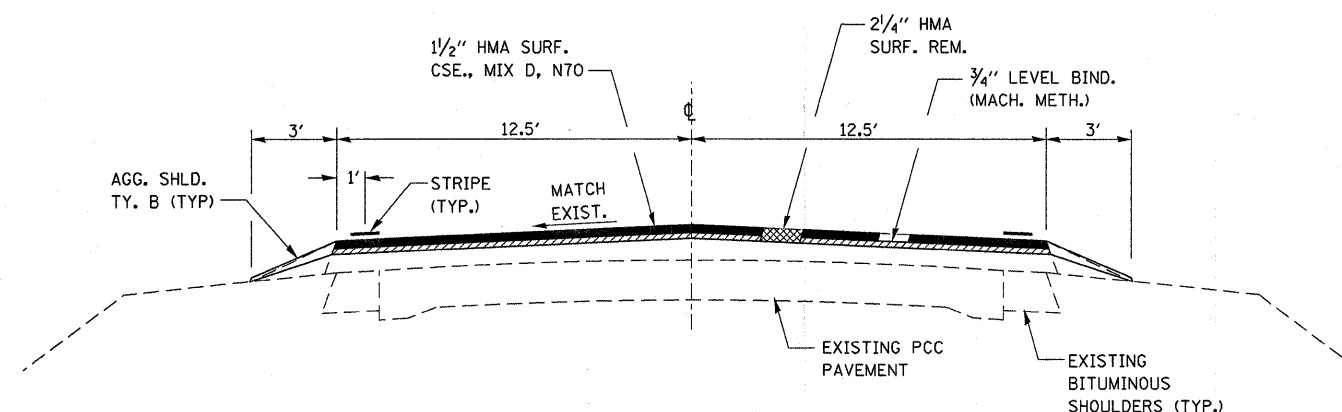
BRIDGE OMISSION - SN 047-0059
STA. 687+80 TO STA. 689+44

PAVEMENT OMISSION
STA. 780+44.91 TO STA. 838+16



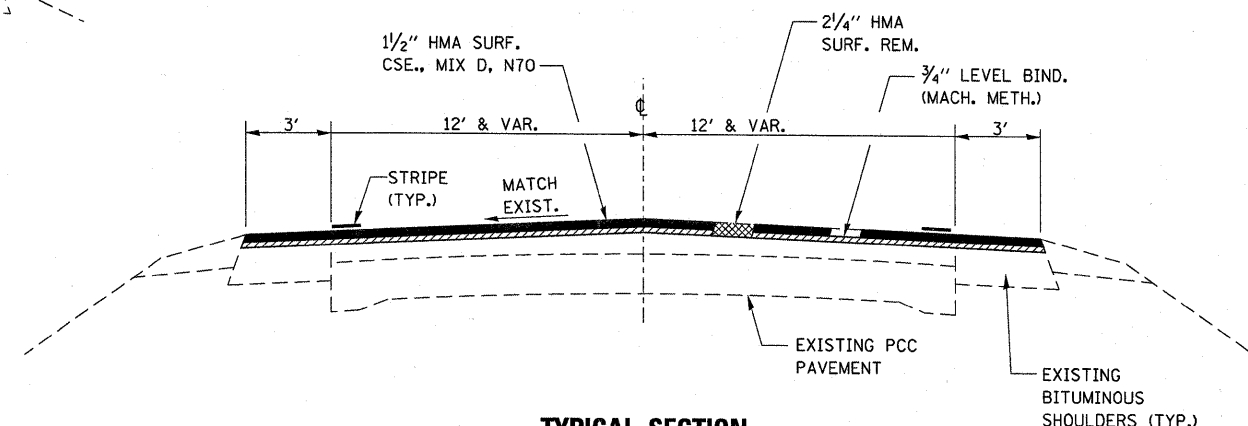
DETAIL FOR TURN LANES

SHADOW CREEK LANE
RESERVATION ROAD
VAN EMMON ROAD
COUNTRY VIEW DRIVE



TYPICAL SECTION

STA. 700+79 TO STA. 787+30



TYPICAL SECTION

AT PARADISE PARKWAY (SEE DETAIL)
STA. 838+16 TO STA. 850+90

	HMA LEVEL BINDER	HMA SURFACE
PG Grade	SBS PG70-22	PG64-22
Design Air Voids	4% @ N50	4% @ N70
Mixture Composition	IL 4.75	IL 12.5 or IL 9.5
Aggregate		Mixture D
Density Control Method	CORRELATION	CORRELATION

FILE NAME =	USER NAME = duncenbd	DESIGNED -	REVISED -
en\pwork\p\WIDOT\DUNCANBD\dms64182\366837-aht-details.dgn		DRAWN -	REVISED -
	PLOT SCALE = 50.0000' / IN.	CHECKED -	REVISED -
	PLOT DATE = Jan 29, 2018 - 08:34:06 AM	DATE -	REVISED -

STATE OF ILLINOIS
DEPARTMENT OF TRANSPORTATION

TYPICAL SECTIONS			
SCALE:	SHEET NO.	OF SHEETS	STA. TO STA.

F.A.P. RTE.	SECTION	COUNTY	TOTAL SHEETS	SHEET NO.
311	(1,1)-1RS-4	KENDALL	10	4
FED. ROAD DIST. NO.		ILLINOIS FED. AID PROJECT		

CONTRACT NO. 66837