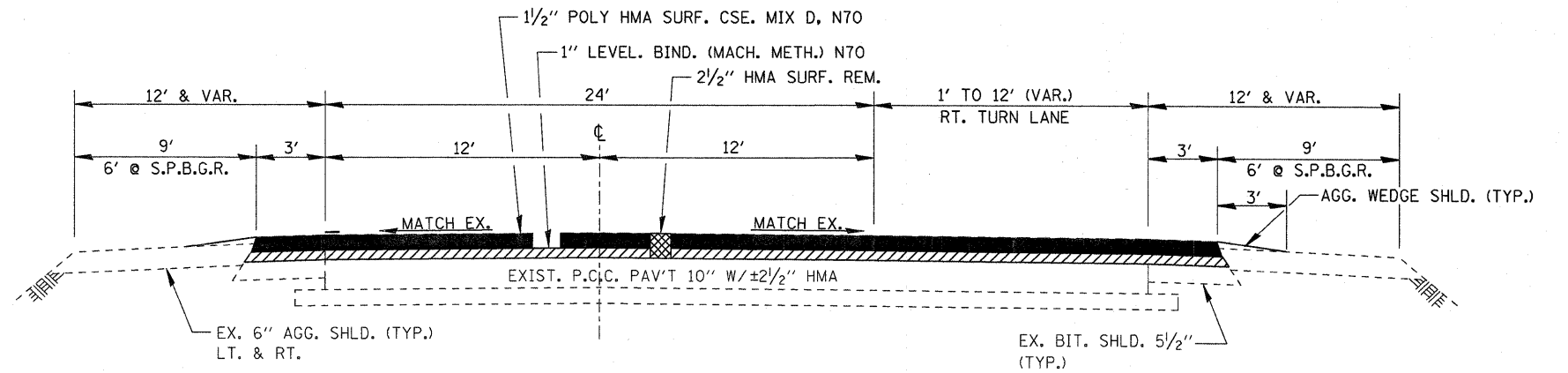


TYPICAL SECTION NO. 1

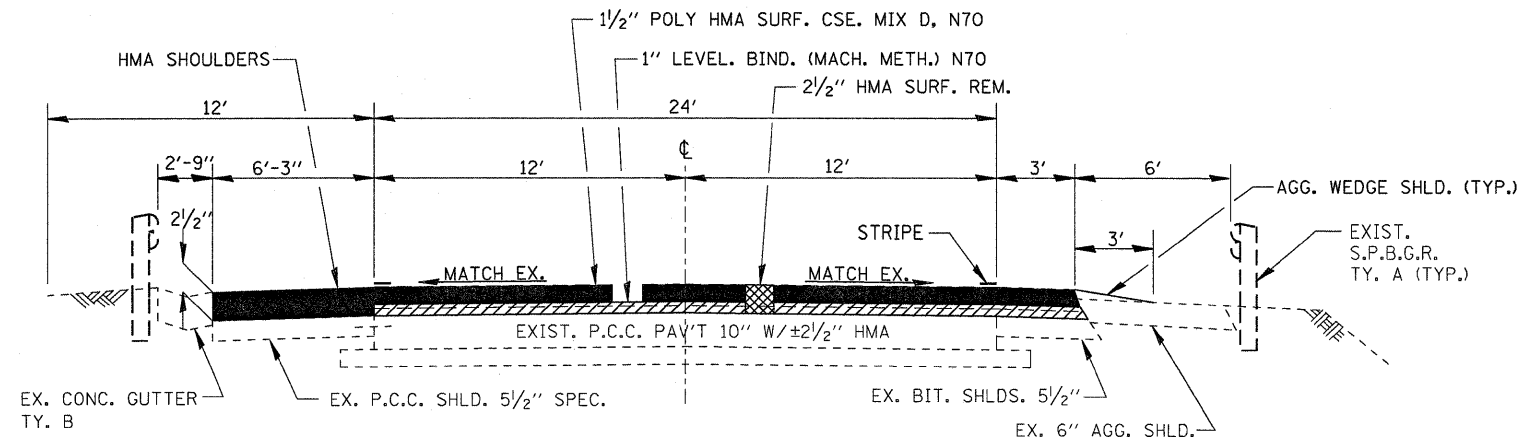
STA. 216+63 TO STA. 223+27

NOTE: STA. 220+26 TO STA. 223+27 RT - EX 3' HMA SHLDS WITH PROP 3' AGG WEDGE



TYPICAL SECTION NO. 2

STA. 223+26.88 TO STA. 245+75



TYPICAL SECTION NO. 3

STA. 245+75 TO STA. 253+73

FILE NAME =	USER NAME = duncanbd	DESIGNED -	REVISED -	STATE OF ILLINOIS DEPARTMENT OF TRANSPORTATION	TYPICAL SECTIONS				F.A.P. RTE. =	SECTION	COUNTY	TOTAL SHEETS	SHEET NO.
c:\pwork\pwwid\DOT\DUNCANBD\0123210\036949-sheets.DGN		DRAWN -	REVISED -		46	(2,2-1)RS-3	LASALLE	17	4				
PLOT SCALE = 50.0000' / IN.		CHECKED -	REVISED -		CONTRACT NO. 66949								
PLOT DATE = Jan 19, 2010 - 03:54:19 PM		DATE -	REVISED -		ILLINOIS FED. AID PROJECT								
					SCALE:	SHEET NO.	OF	SHEETS	STA.	TO	STA.		