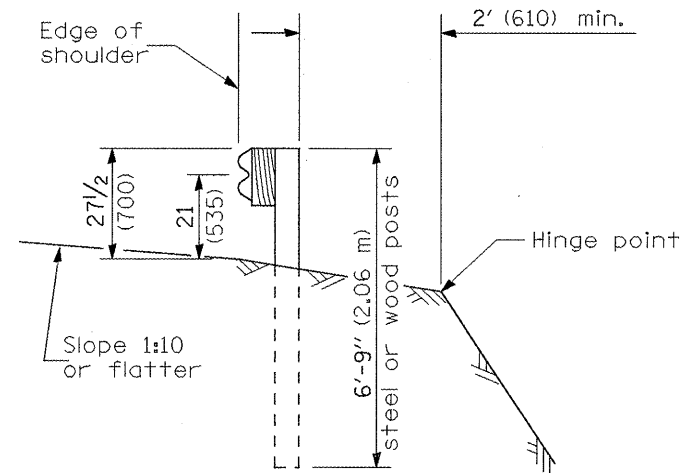
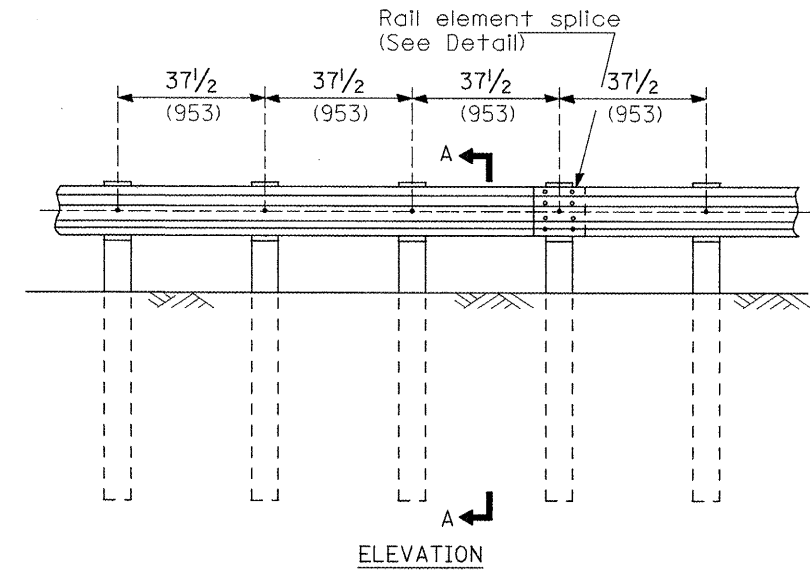


TYPE A

6'-3" (1.905 m) Typical post spacing

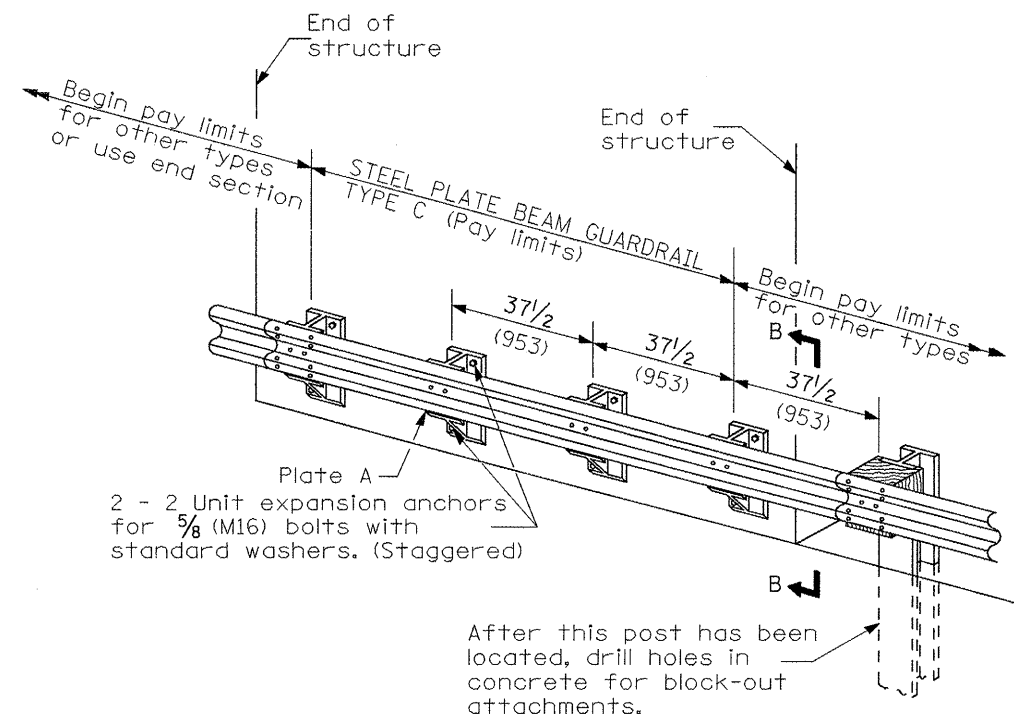


SECTION A-A



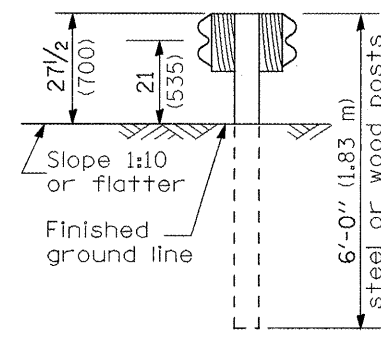
TYPE B

37 1/2 (953) Closed post spacing

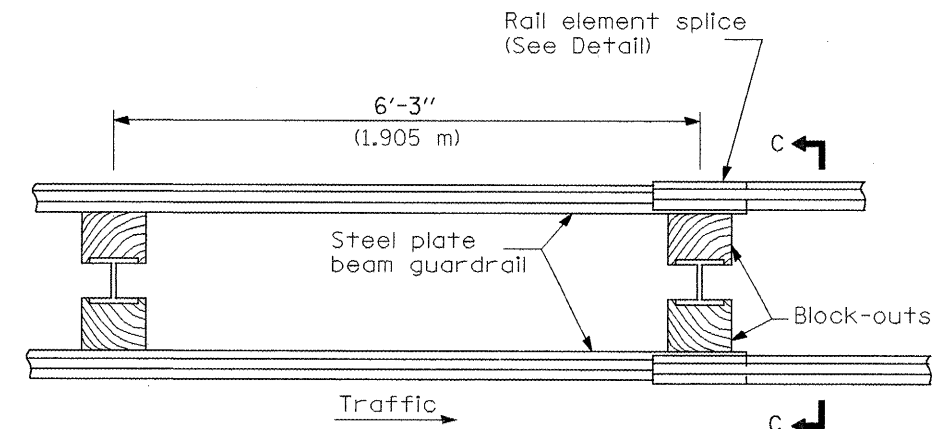


TYPE C

37 1/2 (953) Block-out spacing

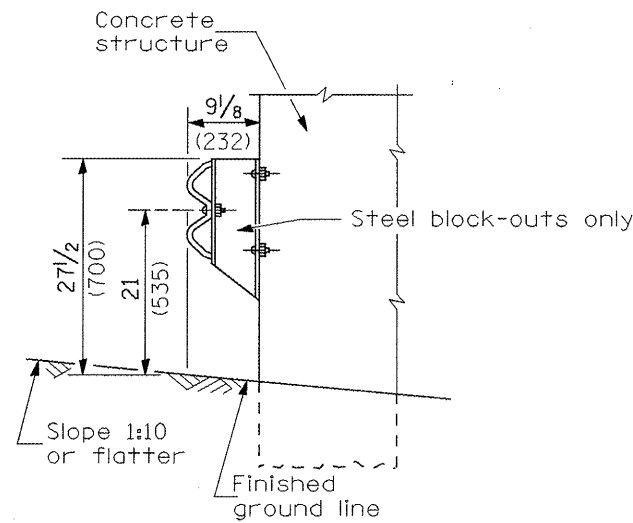


SECTION C-C



TYPE D

Double steel plate beam guardrail
6'-3" (1.905 m) typical post spacing



SECTION B-B

GENERAL NOTES

All slope ratios are expressed as units of vertical displacement to units of horizontal displacement (V:H).

All dimensions are in millimeters (inches) unless otherwise shown.

The existing steel posts may be drilled to match the bolt pattern shown herein for the wood block-out, or a new steel post shall be provided.

This detail is applicable to the guardrail system used prior to January 1, 2007. For details on the Midwest Guardrail System, see Standard 630001.

All dimensions are in Inches (millimeters) unless otherwise noted.

03-01-07	NEW DETAIL	RJD
----------	------------	-----

**STATE OF ILLINOIS
DEPARTMENT OF TRANSPORTATION**

GUARDRAIL INSTALLATION DETAIL

NOT TO SCALE SHEET NO. 1 OF 4 SHEETS

F.A.P. RTE.	SECTION	COUNTY	TOTAL SHEETS	SHEET NO.
22	48RS-2	PEORIA/KNOX	26	15
CONTRACT NO. 68633				
ILLINOIS				