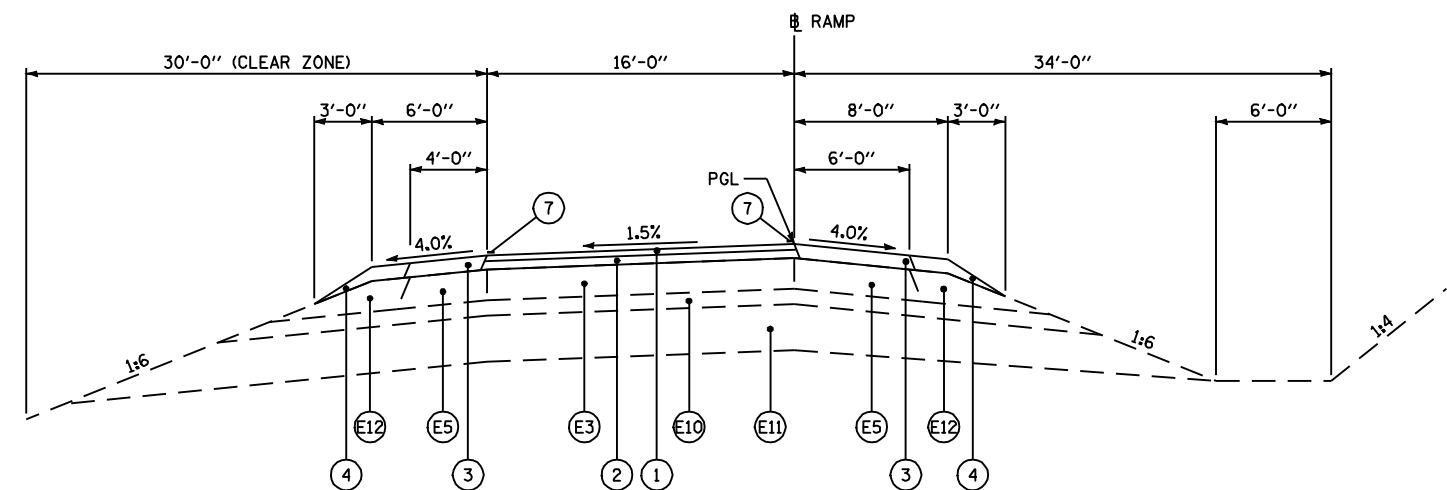


TYPICAL IL 96 INTERCHANGE RAMP SECTION



TYPICAL IL 57 INTERCHANGE RAMP SECTION

EXISTING LEGEND

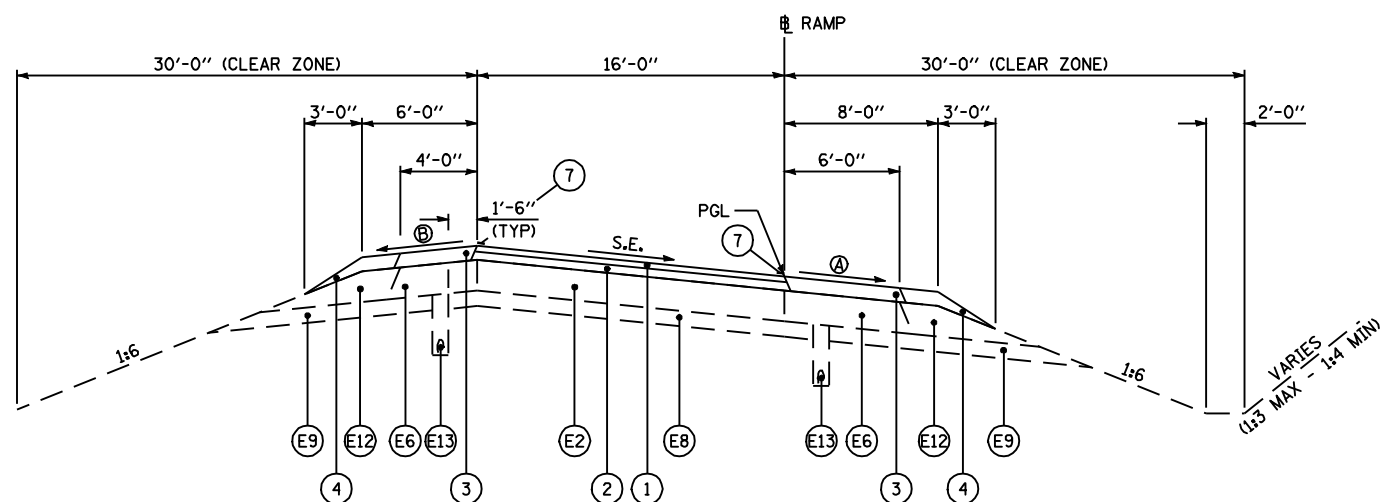
- (E1) EXISTING CONTINUOUSLY REINFORCED PCC PAVEMENT, 8"
- (E2) EXISTING REINFORCED PCC PAVEMENT, 8"
- (E3) EXISTING JOINTED REINFORCED PCC PAVEMENT, 8"
- (E4) EXISTING CONTINUOUSLY REINFORCED PCC PAVEMENT, 9"
- (E5) EXISTING HOT-MIX ASPHALT SHOULDERS, 8"
- (E6) EXISTING STABILIZED SHOULDER (HOT-MIX ASPHALT & AGGREGATE MIXTURE), 8"
- (E7) EXISTING HOT-MIX ASPHALT SHOULDERS, 9"

EXISTING LEGEND

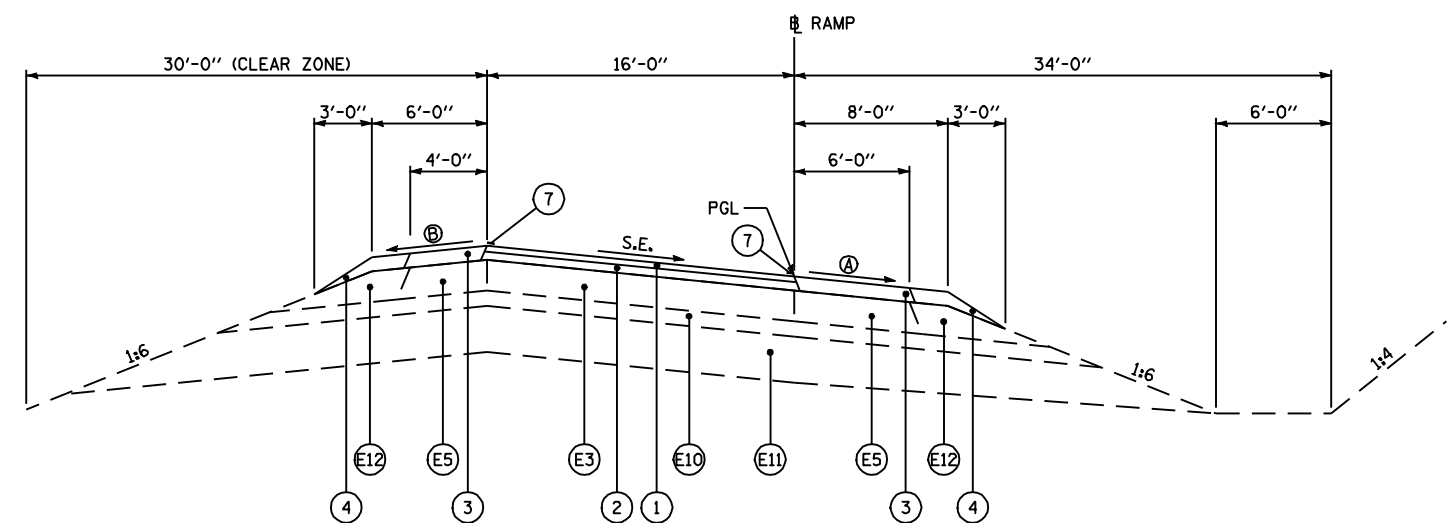
- (E8) EXISTING STABILIZED SUB-BASE, 4"
- (E9) EXISTING SUB-BASE GRANULAR MATERIAL (IN FILL SECTIONS ONLY), 4"
- (E10) EXISTING SUB-BASE GRANULAR MATERIAL, 6"
- (E11) EXISTING ROCK SUBGRADE, 18" MINIMUM
- (E12) EXISTING AGGREGATE SHOULDERS
- (E13) EXISTING PIPE UNDERDRAINS
- (E14) EXISTING CONCRETE BARRIER
- (E15) EXISTING OIL AND CHIP SHOULDER, 9"

PROPOSED LEGEND

- (1) PROPOSED POLYMERIZED HOT-MIX ASPHALT SURFACE COURSE, MIX "D", N70, 1 1/2"
- (2) PROPOSED POLYMERIZED HOT-MIX ASPHALT BINDER COURSE, IL 19.0, N70, 2 1/4"
- (3) PROPOSED HOT-MIX ASPHALT SHOULDERS, 3 3/4"
- (4) PROPOSED AGGREGATE SHOULDERS TYPE B
- (5) PROPOSED SHOULDER REMOVAL
- (6) PROPOSED HOT-MIX ASPHALT SHOULDERS, VARIABLE DEPTH
- (7) PROPOSED URETHANE PAVEMENT MARKING, LINE 5" (SEE PLAN SHEETS)



TYPICAL IL 96 INTERCHANGE RAMP SUPERELEVATED SECTION



TYPICAL IL 57 INTERCHANGE RAMP SUPERELEVATED SECTION

SHOULDER SLOPE NOTES:

- (A) LOW SIDE OF S.E.: 4.0% OR S.E. WHICHEVER IS GREATER
- (B) HIGH SIDE OF S.E.: 4.0% OR 8.0% BREAKOVER WHICHEVER IS LESS.

TYPICAL SUPERELEVATED SECTION NOTES:

- 1) SEE PLAN SHEETS FOR S.E. TRANSITION LOCATIONS.
- 2) SHOWN ABOVE IS FOR CURVES GOING TO THE RIGHT, ADJUST ACCORDINGLY FOR CURVES GOING TO THE LEFT.

FILE NAME =	USER NAME = laughlinr1	DESIGNED -	REVISED -
es:\pwwork\pwwid\0182983\027-0672409-sh-typicals.dgn		DRAWN -	REVISED -
		CHECKED -	REVISED -
		DATE -	REVISED -

**STATE OF ILLINOIS
DEPARTMENT OF TRANSPORTATION**

RAMP TYPICAL SECTIONS			
SCALE: none	SHEET NO. 5 OF 10 SHEETS	STA.	TO STA.

F.A.I. RTE.	SECTION	COUNTY	TOTAL SHEETS	SHEET NO.
172	1-(1,2,3,4,5)RS	ADAMS	165	31
CONTRACT NO. 72A09				
FED. ROAD DIST. NO. ILLINOIS FED. AID PROJECT				