

TYPICAL IL 57 SECTION
STA 30+15.00 TO STA 36+28.68

EXISTING LEGEND

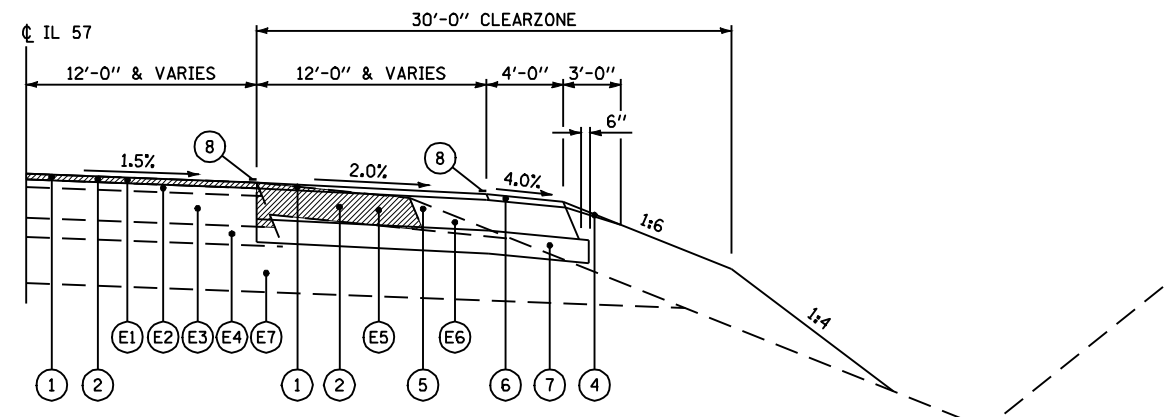
- (E1) EXISTING HOT-MIX ASPHALT SURFACE COURSE, 1 1/2"
- (E2) EXISTING HOT-MIX ASPHALT BINDER COURSE, 2"
- (E3) EXISTING HOT-MIX ASPHALT BASE COURSE, 8"
- (E4) EXISTING SUB-BASE GRANULAR MATERIAL, 5"
- (E5) EXISTING HOT-MIX ASPHALT SHOULDERS, 8"

EXISTING LEGEND

- (E6) EXISTING AGGREGATE SHOULDERS
- (E7) EXISTING ROCK SUBGRADE, 18" MIN.
- (E8) EXISTING TOPSOIL, 12"
- (E9) EXISTING CURB AND GUTTER TYPE M-6.24

PROPOSED LEGEND

- (1) PROPOSED POLYMERIZED HOT-MIX ASPHALT SURFACE COURSE, MIX "D", N70, 1 1/2"
- (2) PROPOSED HOT-MIX ASPHALT SURFACE REMOVAL, 1 1/2"
- (3) PROPOSED HOT-MIX ASPHALT SHOULDERS, 1 1/2"
- (4) PROPOSED AGGREGATE SHOULDERS TYPE B
- (5) PROPOSED HOT-MIX ASPHALT BASE COURSE, 12"
- (6) PROPOSED HOT-MIX ASPHALT SHOULDERS, 1 1/2"
- (7) PROPOSED SUB-BASE GRANULAR MATERIAL, TYPE A, 6"
- (8) PROPOSED URETHANE PAVEMENT MARKING, LINE 5" (SEE PLAN SHEETS)



TYPICAL IL 57 TURN LANE SECTION
SEE PLAN SHEETS FOR LOCATION

| | | | | | | | | | | | | |
|---|------------------------|------------|---------------------|---|-----------------------------------|--|--|-----------------|---------|--------|--------------|-----------|
| FILE NAME = | USER NAME = laughlinr1 | DESIGNED - | REVISED - | STATE OF ILLINOIS DEPARTMENT OF TRANSPORTATION | IL RTE 57 TYPICAL SECTIONS | | | F.A.I. RTE. | SECTION | COUNTY | TOTAL SHEETS | SHEET NO. |
| et:\pwwork\pwidot\LAUGHLINRL\0182983\027-0672A09-sht-Typicals.dgn | DRAWN - | REVISED - | 172 | | | | | 1-(1,2,3,4,5)RS | ADAMS | 165 | 33 | |
| PLOT SCALE = 100.0000' / IN. | CHECKED - | REVISED - | CONTRACT NO. 72A09 | | | | | | | | | |
| PLOT DATE = Feb-01-2010 09:34:45AM | DATE - | REVISED - | FED. ROAD DIST. NO. | | ILLINOIS FED. AID PROJECT | | | | | | | |