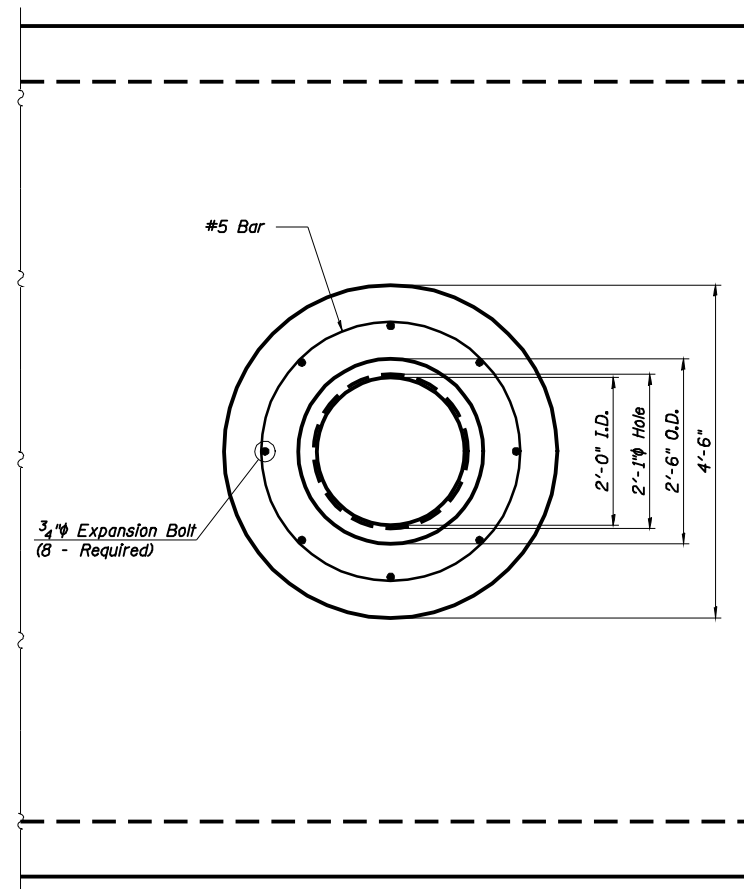


ELEVATION



PLAN

NOTES:

Expansion Bolts shall consist of self drilling expansion shields and 3/4" diameter hooked bolts. Hooked bolts shall extend a minimum 9" into the new concrete. Minimum certified proof load = 4,000 lbs.

Cost of Saw Cuts, Concrete Removal, Expansion Bolts, Reinforcement Bars, and Concrete Collar shall be included in the cost of Pipe Culvert, Class A, Type 2 24".

SCHEDULE OF ESTIMATED QUANTITIES *

STATION	CONCRETE REMOVAL	SAW CUTS	CONCRETE COLLAR	EXPANSION BOLTS 3/4"	REINFORCEMENT BARS
	(C.Y.)	(FOOT)	(C.Y.)	(EACH)	(LBS)
STA. 282+26.00 CL.	0.1	6.5	0.5	8	12

* This table for information only. Cost of Saw Cuts, Concrete Removal, Expansion Bolts, Reinforcement Bars, and Concrete Collar shall be included in the cost of Pipe Culvert, Class A, Type 2 24".

FILE NAME =	USER NAME = laughlinr1	DESIGNED -	REVISED -
er:\pwork\pwidot\LAUGHLINRL\0182983\093-shit-Detail.dgn		DRAWN -	REVISED -
	PLOT SCALE = 100.0000' / IN.	CHECKED -	REVISED -
	PLOT DATE = Feb-01-2010 10:54:55AM	DATE -	REVISED -

**STATE OF ILLINOIS
DEPARTMENT OF TRANSPORTATION**

RISER PIPE INTO BOX CULVERT DETAIL

SCALE: none SHEET NO. 2 OF 9 SHEETS STA. TO STA.

F.A.I. RTE.	SECTION	COUNTY	TOTAL SHEETS	SHEET NO.
172	1-(1,2,3,4,5)RS	ADAMS	165	94
FED. ROAD DIST. NO.			ILLINOIS FED. AID PROJECT	
			CONTRACT NO. 72A09	