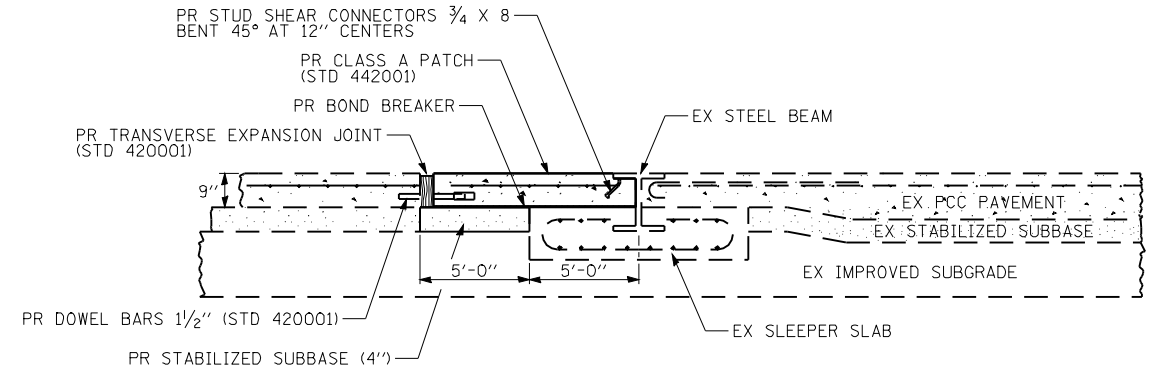
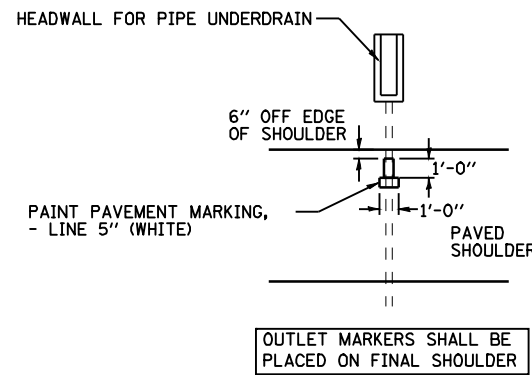


TYPICAL PIPE UNDERDRAIN MARKER DETAIL

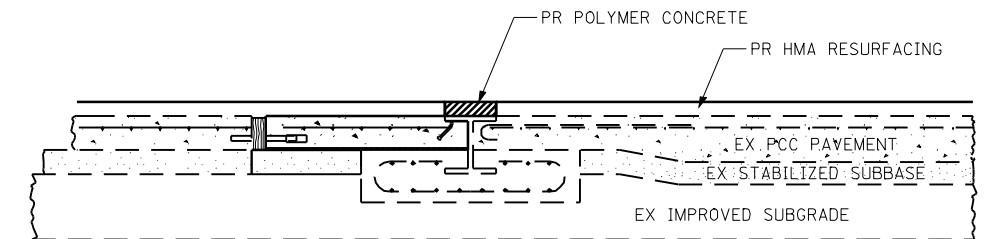


WIDE FLANGE BEAM TERMINAL JOINT REPAIR DETAIL

NOTE: THE FOLLOWING ITEMS WILL BE MEASURED AND PAID FOR ACCORDING TO SECTION 442 OF THE STANDARD SPECIFICATIONS:

- 1) REMOVAL AND DISPOSAL OF UNSUITABLE MATERIAL (CU YD)
- 2) STABILIZED SUB-BASE 4" (SQ YD)
- 3) CLASS A PATCHES, TYPE II, 9 INCH (SQ YD)
- 4) PATCH REINFORCEMENT (SQ YD)
- 5) SAW CUTS (FOOT)
- 6) STUD SHEAR CONNECTORS (EACH)
- 7) DOWEL BARS 1 1/2" (EACH)

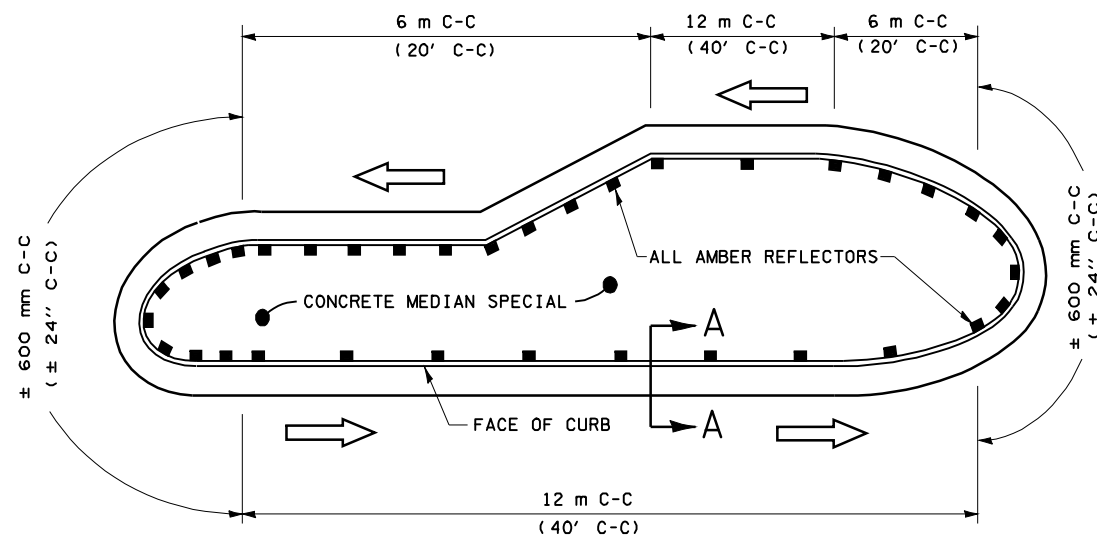
ALL OTHER MISCELLANEOUS ITEMS NECESSARY TO COMPLETE THIS WORK WILL NOT BE MEASURED AND PAID FOR SEPARATELY BUT SHALL BE CONSIDERED AS INCLUDED IN THE ABOVE PAY ITEMS.



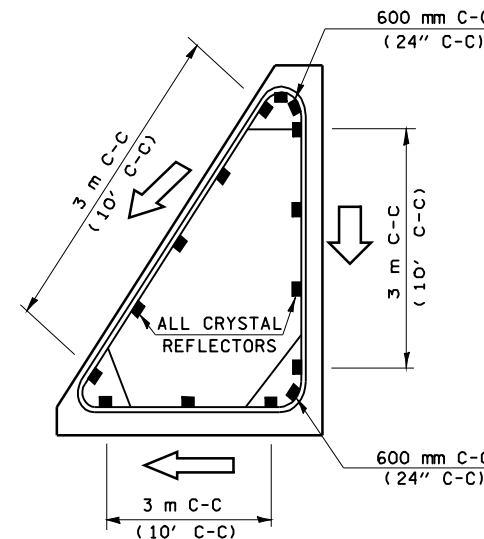
WIDE FLANGE BEAM TERMINAL JOINT RESURFACING DETAIL

NOTE: CONTRACTOR TO SURFACE OVER EXISTING WIDE FLANGE BEAM TERMINAL JOINT. UPON COMPLETION OF RESURFACING, CONTRACTOR TO SAW CUT HOT-MIX ASPHALT SURFACING AT THE EDGE OF THE BEAM AND REMOVE THE HOT-MIX ASPHALT MATERIAL, COST TO BE INCLUDED WITH THE COST FOR POLYMER CONCRETE.

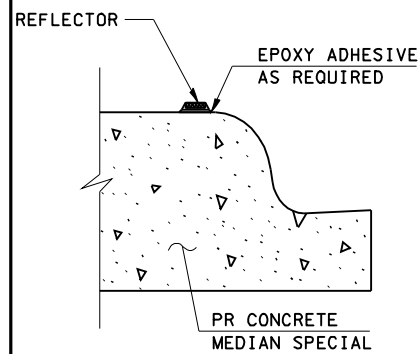
CONTRACTOR IS TO NOTE LOCATION OF BEAM PRIOR TO RESURFACING TO ALLOW EDGES OF THE BEAM TO BE IDENTIFIED FOR SAW CUT LOCATIONS.



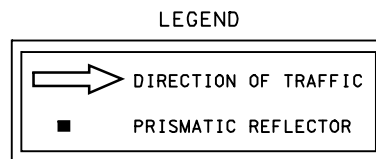
TYPICAL PLACEMENT OF PRISMATIC REFLECTORS ON RAISED MEDIAN



TYPICAL PLACEMENT OF PRISMATIC REFLECTORS ON CURBED CORNER ISLAND



SECTION A-A



GENERAL NOTES

PRISMATIC REFLECTORS SHALL BE MONO-DIRECTIONAL UNITS AND THE REFLECTOR FACE SHALL BE POSITIONED TO FACE THE APPROACHING TRAFFIC.

PRISMATIC REFLECTORS SHALL BE SECURED IN PLACE WITH AN EPOXY ADHESIVE.

PRISMATIC REFLECTOR FACE SHALL BE EITHER AMBER OR CRYSTAL IN COLOR.

REFER TO SCHEDULES FOR PRISMATIC REFLECTOR QUANTITIES.

FILE NAME =	USER NAME = laughlinr1	DESIGNED -	REVISED -
es:\pwork\pwidot\LAUGHLINRL\0182983\093-shit-Detail.dgn		DRAWN -	REVISED -
	PLOT SCALE = 100.0000' / IN.	CHECKED -	REVISED -
	PLOT DATE = Feb-01-2010 10:55:12AM	DATE -	REVISED -

**STATE OF ILLINOIS
DEPARTMENT OF TRANSPORTATION**

MISCELLANEOUS DETAILS			
SCALE: none	SHEET NO. 10 OF 10 SHEETS	STA.	TO STA.

F.A.I. RTE.	SECTION	COUNTY	TOTAL SHEETS	SHEET NO.
172	1-(1,2,3,4,5)RS	ADAMS	165	101
CONTRACT NO. 72A09				
FED. ROAD DIST. NO. ILLINOIS FED. AID PROJECT				