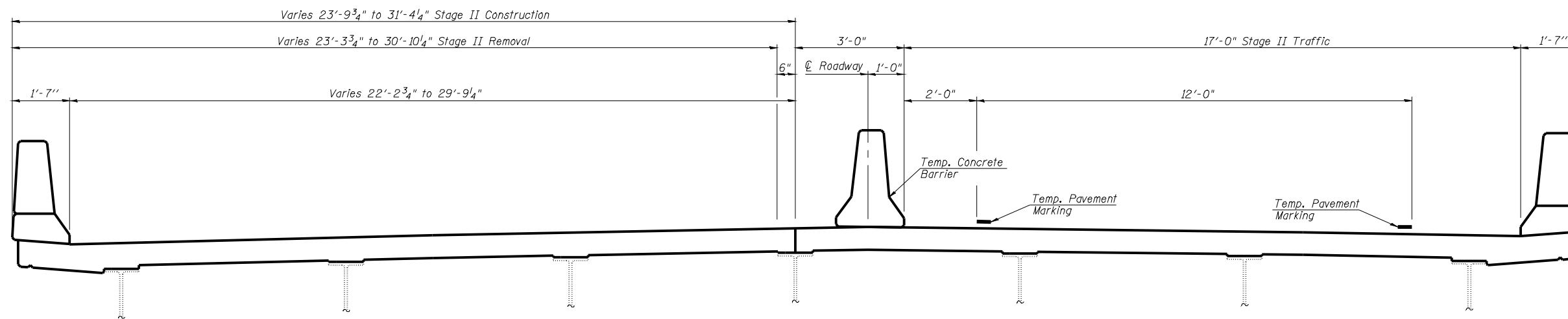


STAGE I CONSTRUCTION
(Looking East SN 001-0064)



STAGE II CONSTRUCTION
(Looking East SN 001-0064)

DESIGNED	KTH
CHECKED	ADL
DRAWN	KTH
CHECKED	ADL

KLINGNER & ASSOCIATES, P.C.
Engineers - Architects - Surveyors
165 North 21st Street, Barrington, IL 60010-3232
4300 Paces Green, Huntley, IL 60142-1002
400 N. Oak Street, Suite 100, Burlington, IL 61810-3005
111 North Prairie Street, Galesburg, IL 61601-3101
www.klingner.com
STATE OF ILLINOIS DESIGN FIRM # 1842738

STAGING
FAI 172 OVER IL 57
SN 001-0064 & 0065

SHEET NO. 3 17 SHEETS	F.A. RTE.	SECTION	COUNTY	TOTAL SHEETS	SHEET NO.
	172	1-3HB	ADAMS	165	104
			CONTRACT NO. 72A09		
FED. ROAD DIST. NO.		ILLINOIS FED. AID PROJECT			