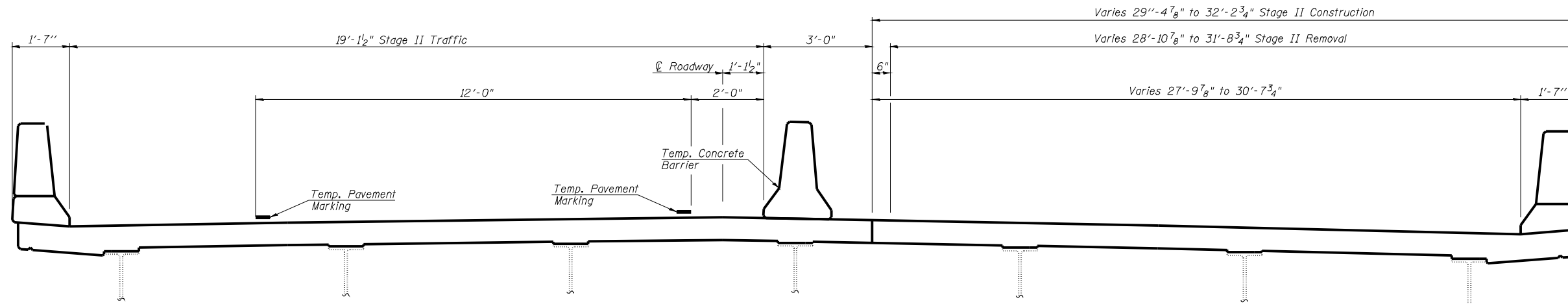


**STAGE I CONSTRUCTION**  
(Looking East SN 001-0065)



**STAGE II CONSTRUCTION**  
(Looking East SN 001-0065)

DESIGNED	KTH
CHECKED	ADL
DRAWN	KTH
CHECKED	ADL

**KLINGNER & ASSOCIATES, P.C.**  
Engineers • Architects • Surveyors  
 150 North 21st Street, Barrington, IL 60010-3232  
 4300 Paces Green, Hunt Valley, MD 21086-4002  
 400 N. 4th Street, Suite 100, Burlington, IL 61820-3205  
 111 North Prairie Street, Galesburg, IL 61601-3101  
 Internet: Address: www.klingner.com  
 STATE OF ILLINOIS DESIGN FIRM # 1842738

**STAGING**  
**FAI 172 OVER IL 57**  
**SN 001-0064 & 0065**

SHEET NO. 4 17 SHEETS	F.A. RTE.	SECTION	COUNTY	TOTAL SHEETS	SHEET NO.
	172	1-3HB	ADAMS	165	105
FED. ROAD DIST. NO.			ILLINOIS FED. AID PROJECT		
CONTRACT NO. 72A09					