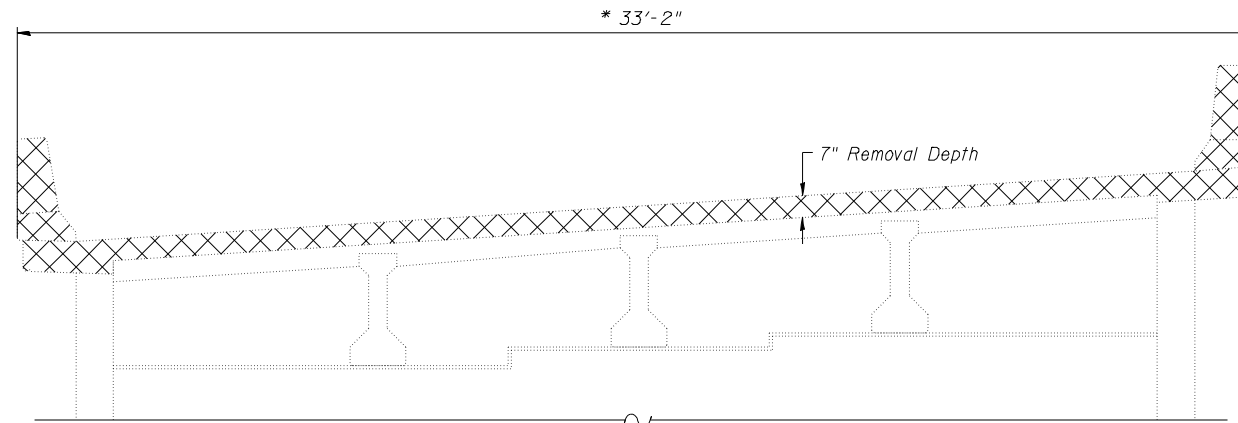
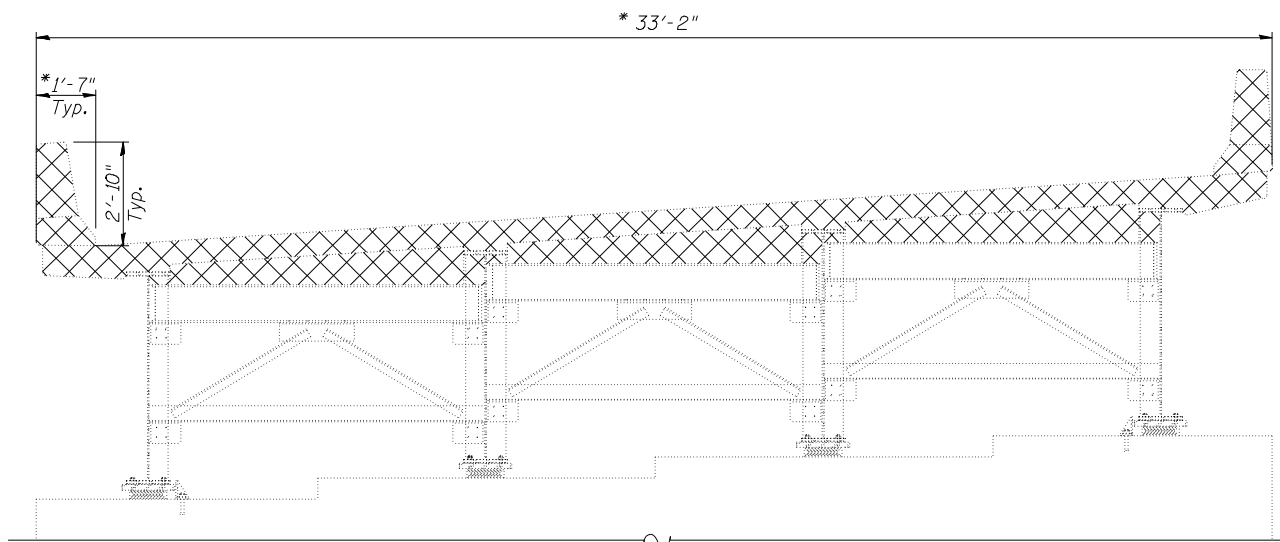


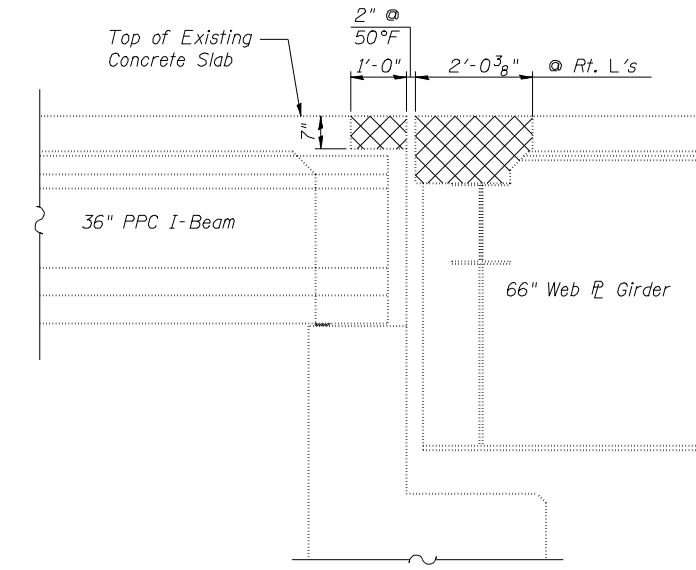
STATE OF ILLINOIS
DEPARTMENT OF TRANSPORTATION



SECTION B-B

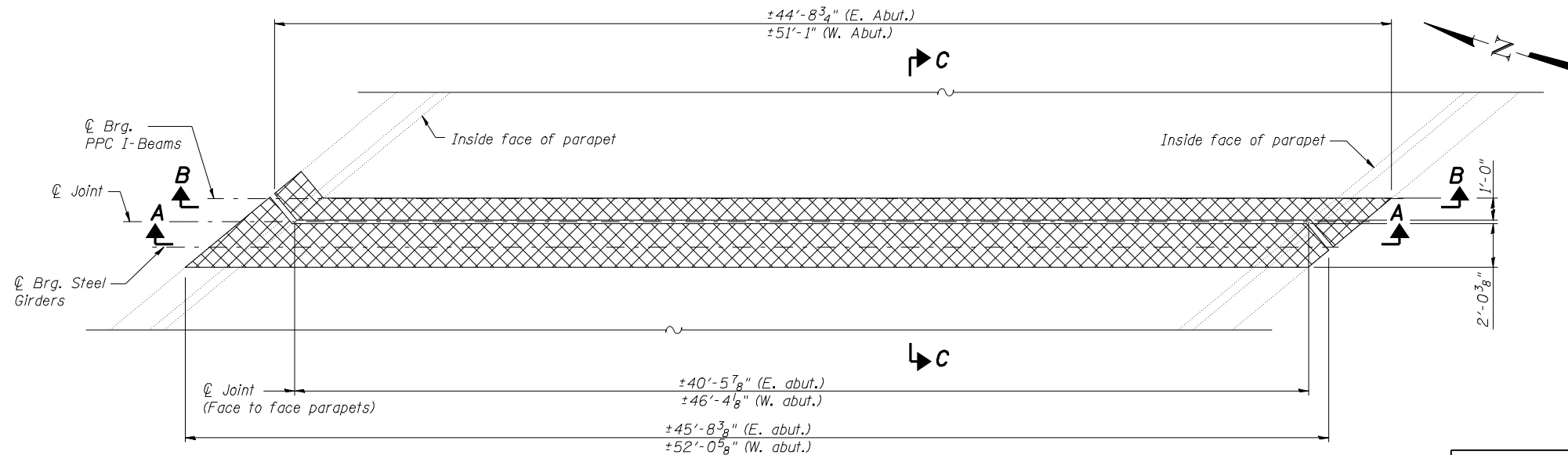


SECTION A-A



SECTION C-C

* Measured Radially




PLAN

(East abut. shown, west abut. similar)

Notes:

1. Cross hatched area indicates concrete removal.
2. Existing reinforcement bars in the concrete removal area extending in new construction shall be cleaned and incorporated into the new construction. Cost included with Concrete Removal.
3. Any reinforcement bars that are damaged during concrete removal operations shall be repaired or replaced using an approved bar splicer or anchorage system, in accordance with IDOT Standard Specifications Article 501.03. Cost included in "Concrete Removal"

**CONCRETE REMOVAL
STRUCTURE NO. 001-0061**

 LIN ENGINEERING, LTD. Consulting Engineers Chatham, Illinois <small>Designed By: ESH Checked By: MTH Drawn By: ESH Date: 11/2009 File: 001-0061.dgn</small>	SHEET NO. 2	F.A.I. RTE.	SECTION	COUNTY	TOTAL SHEETS	SHEET NO.
	6 SHEETS	172	1-5HB	ADAMS	165	153
				CONTRACT NO. 72A09		
		FED. ROAD DIST. NO.	ILLINOIS	FED. AID PROJECT		