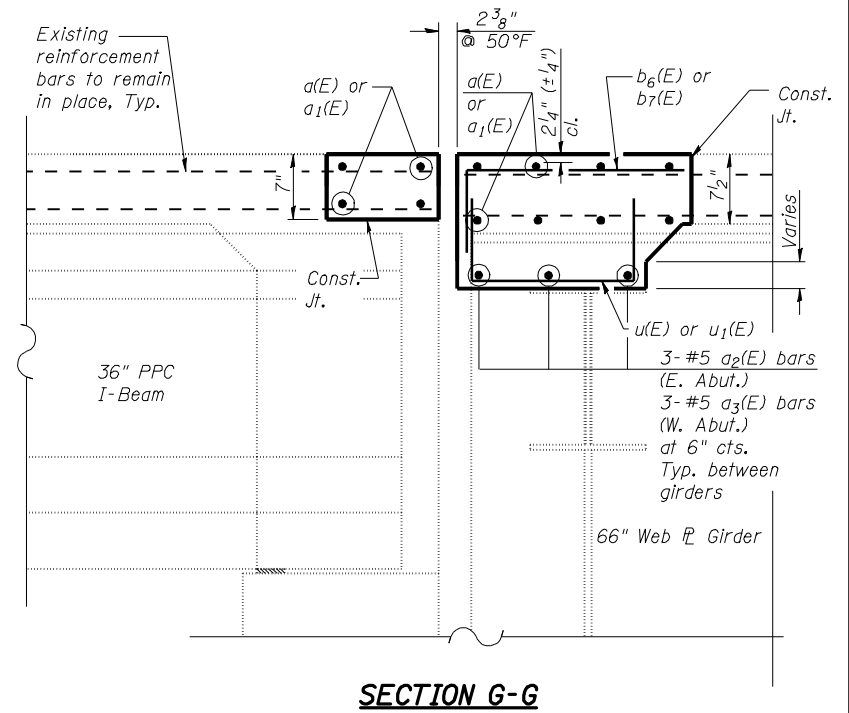
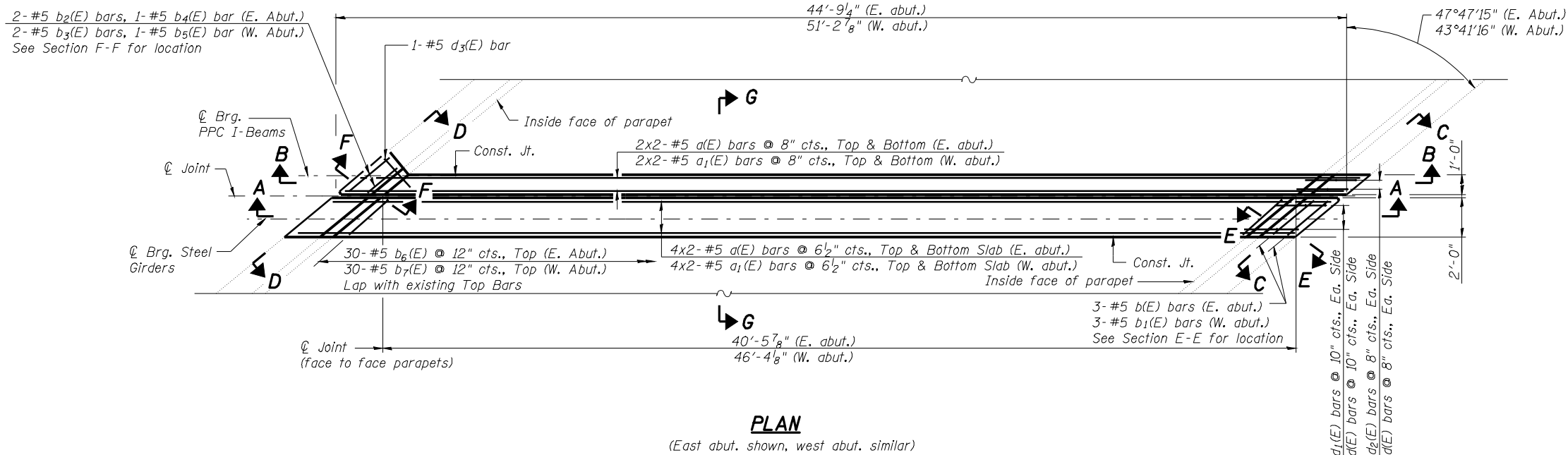
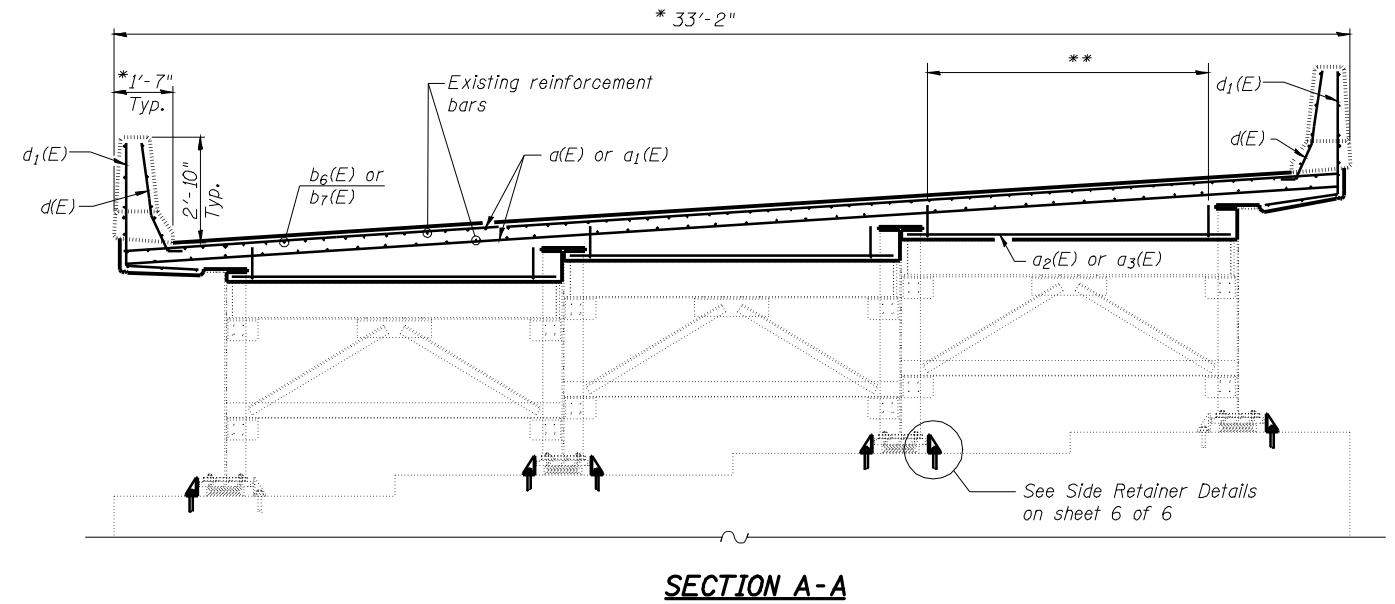
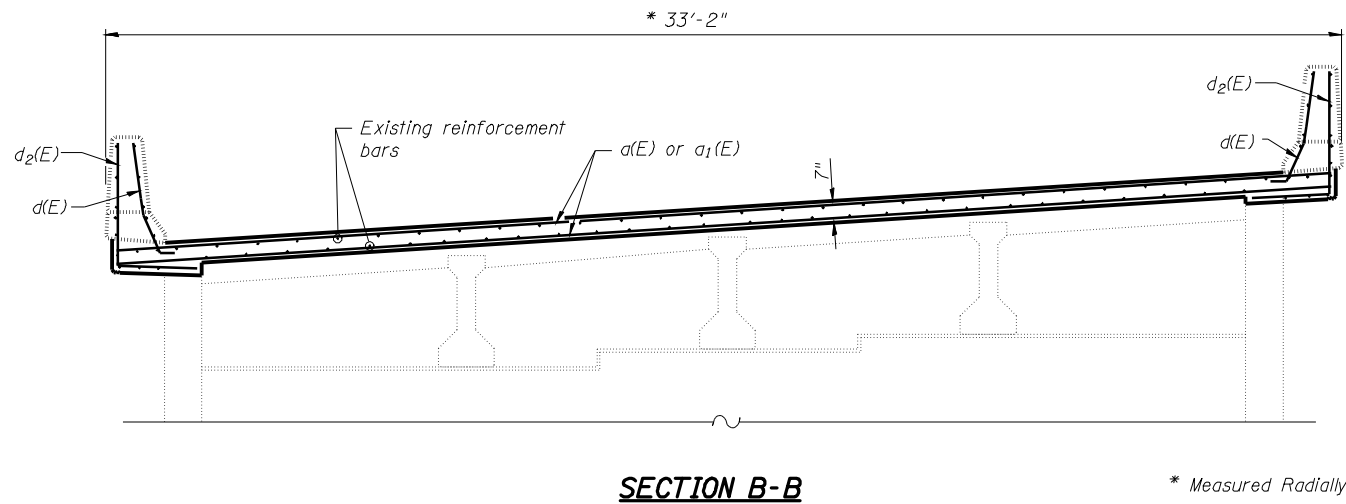


STATE OF ILLINOIS
DEPARTMENT OF TRANSPORTATION

** 8- #4 u(E) bars @ 12" cts. (E. Abut.)
8- #4 u₁(E) bars @ 12" cts. (W. Abut.)
Typ. between girders.
Bar Spacings are perpendicular to ϕ Girder



MINIMUM LAP
#5 bar = 1'-8"

Notes:
See sheet 4 of 6 for Section C-C, D-D, E-E, F-F and Bill of material.

LE LIN ENGINEERING, LTD.
Consulting Engineers
Chatham, Illinois

Designed By: ESH
Checked By: MTH
Date: 11/2009

Drawn By: ESH
File: 001-0061.dgn

| | | | | | |
|-------------------------|-------------|---------------------------|--------|--------------|-----------|
| SHEET NO. 3 6 SHEETS | F.A.I. RTE. | SECTION | COUNTY | TOTAL SHEETS | SHEET NO. |
| | 172 | 1-5HB | ADAMS | 165 | 154 |
| CONTRACT NO. 72A09 | | | | | |
| FED. ROAD DIST. NO. | | ILLINOIS FED. AID PROJECT | | | |

CONCRETE DETAILS-1
STRUCTURE NO. 001-0061