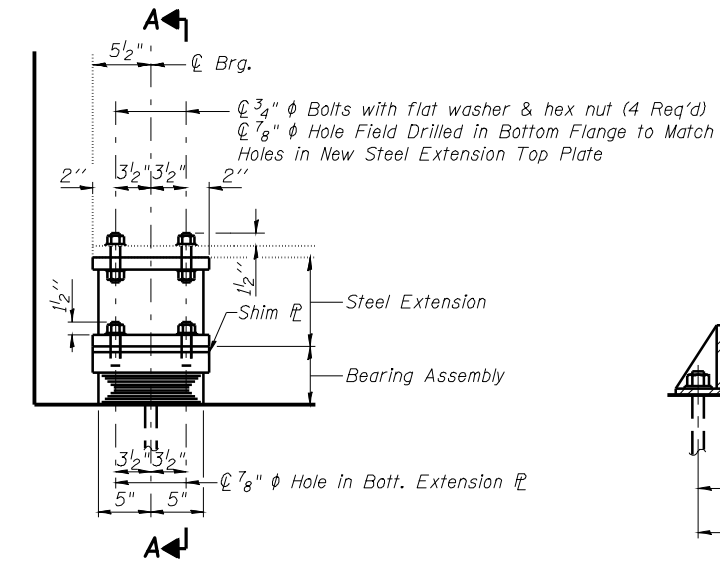
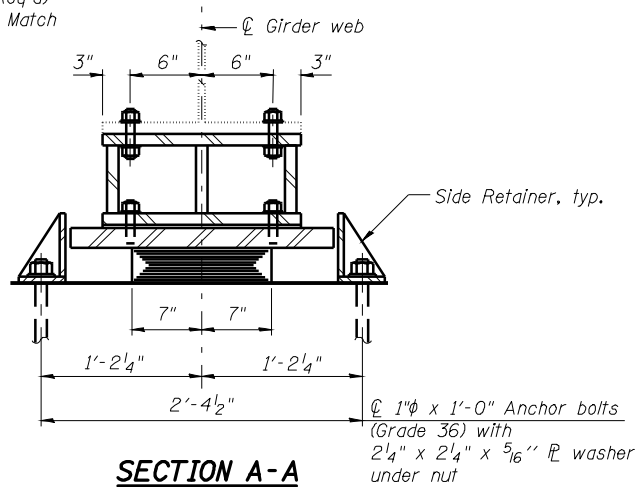


STATE OF ILLINOIS
DEPARTMENT OF TRANSPORTATION



ELEVATION AT ABUT.



SECTION A-A

TYPE I ELASTOMERIC EXP. BRG.

Notes:

Anchor bolts shall be ASTM F1554 all-thread (or an Engineer-approved alternate material) of the grade(s) and diameter(s) specified. ASTM A307 Grade C anchor bolts may be used in lieu of ASTM F1554 Grade 36 (Fy=36ksi). The corresponding specified grade of AASHTO M314 anchor bolts may be used in lieu of ASTM F1554.

Drilled and set anchor bolts shall be installed according to Article 521.06 of the Standard Specifications.

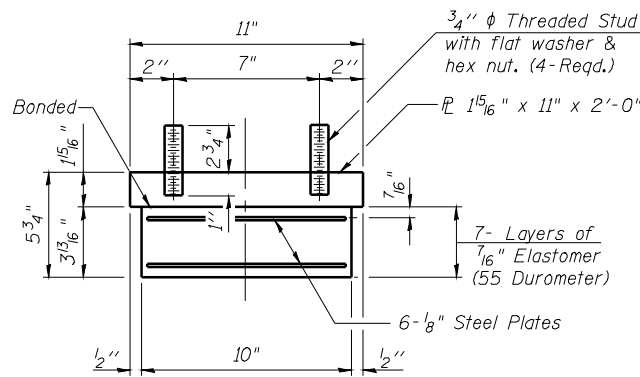
Two 1/8 in. adjusting shims shall be provided for each bearing in addition to all other plates or shims and placed as shown on bearing details.

The Contractor is to verify the existing dimensions prior to fabricating the steel extensions. It is intended to keep the existing beams at their current elevation.

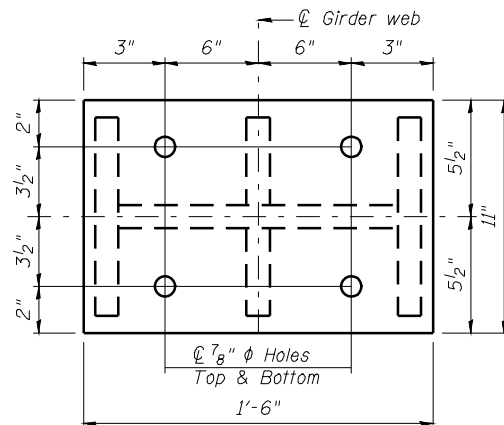
Steel Extensions and fasteners shall be included in the cost of Furnishing and Erecting Structural Steel.

Side retainers and other steel members required for the bearing assembly shall be included in the cost of Elastomeric Bearing Assembly, Type I.

Fasteners shall be AASHTO M164 Type I, mechanically galvanized bolts.



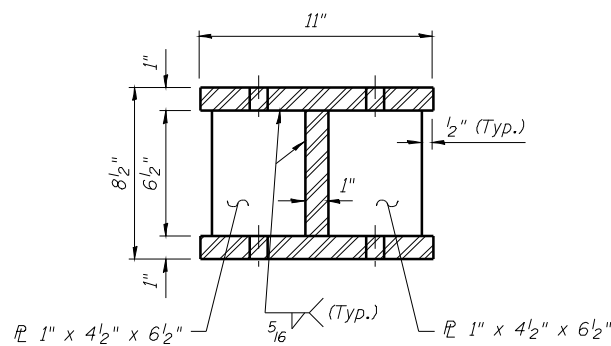
BEARING ASSEMBLY



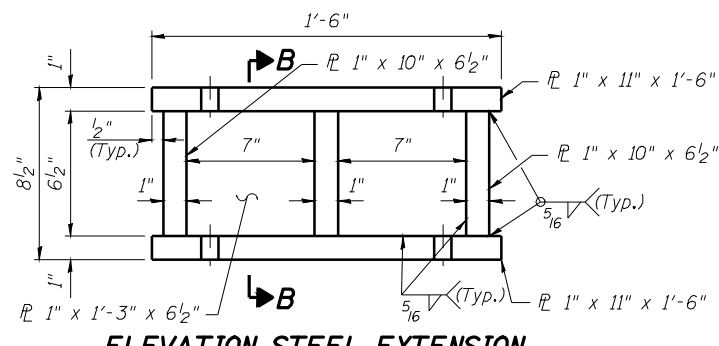
PLAN STEEL EXTENSION

Note:

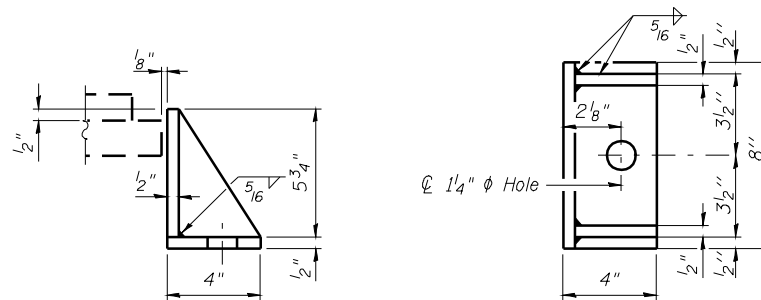
Shim plates shall not be placed under Bearing Assembly.



SECTION B-B



ELEVATION STEEL EXTENSION



SIDE RETAINER

Equivalent rolled angle with stiffeners will be allowed in lieu of welded plates.

BILL OF MATERIAL

Item	Unit	Total
Elastomeric Bearing Assembly Type I	Each	18
Anchor Bolts, 1"	Each	36
Jack and Remove Existing Bearings	Each	18

BEARING DETAILS
STRUCTURE NO. 001-0044

LIN ENGINEERING, LTD. Consulting Engineers Chatham, Illinois <small>Designed By: ESH Checked By: MTH Drawn By: ESH Date: 11/2009 File: 001-0044.dgn</small>	SHEET NO. 3	F.A.I. RTE. 172	SECTION 1-4HB-1	COUNTY ADAMS	TOTAL SHEETS 165	SHEET NO. 160
	4 SHEETS	CONTRACT NO. 72A09				
		FED. ROAD DIST. NO.	ILLINOIS	FED. AID PROJECT		