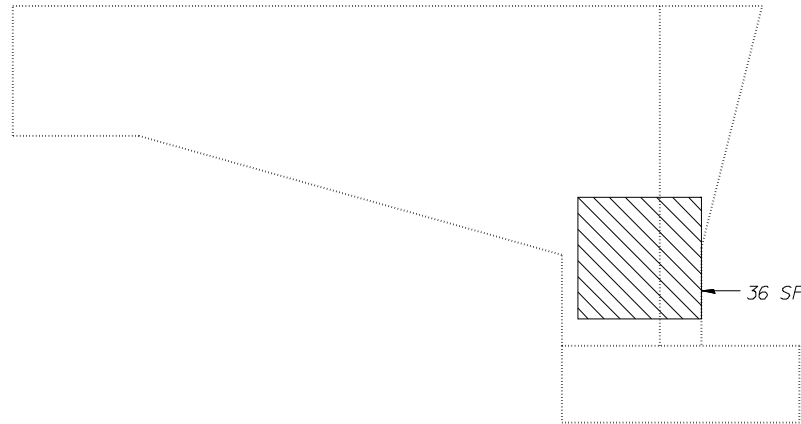
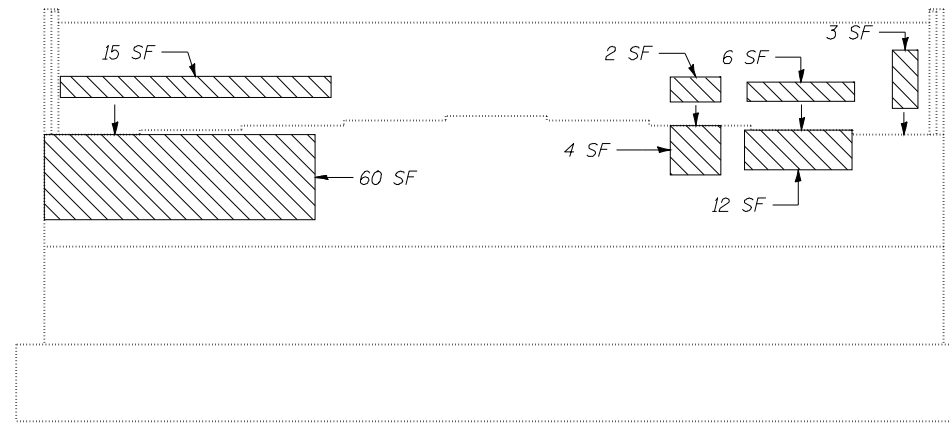


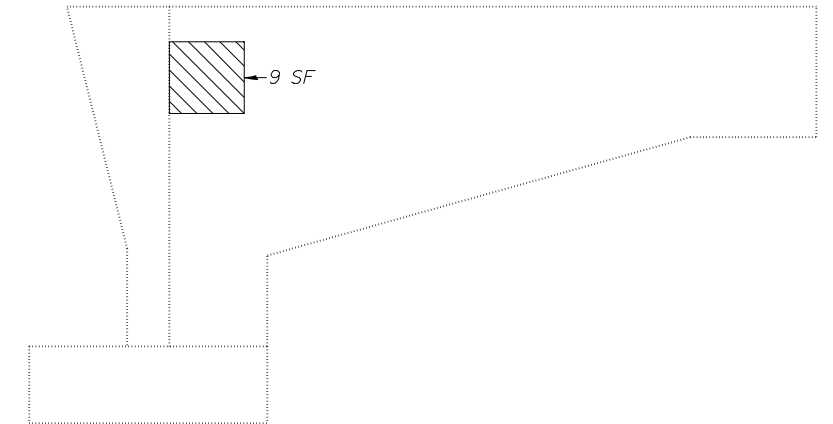
STATE OF ILLINOIS
DEPARTMENT OF TRANSPORTATION



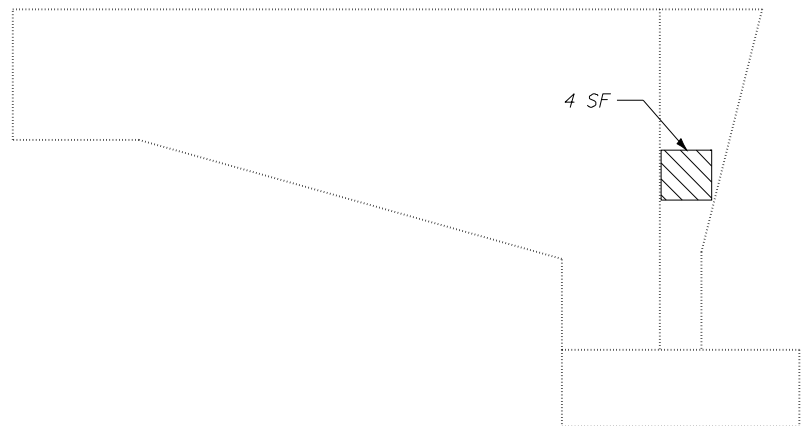
SW WINGWALL ELEVATION
(Looking North)



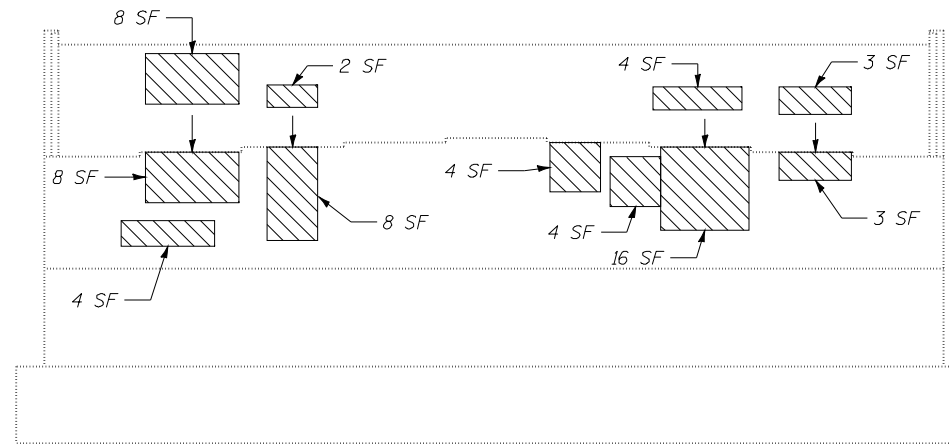
WEST ABUTMENT ELEVATION
(Looking West)



NW WINGWALL ELEVATION
(Looking South)



NE WINGWALL ELEVATION
(Looking South)



EAST ABUTMENT ELEVATION
(Looking East)

LEGEND

Indicates Structural Repair of Concrete
(Depth Equal to or Less Than 5")

SF Square Feet

Notes:
The quantities shown are for estimating purposes only.
The area to be repaired will be determined by the
Engineer at the time of construction. Actual repair
locations shall be shown on the as-built plans.

ABUTMENT REPAIR
STRUCTURE NO. 001-0044

LIN ENGINEERING, LTD. Consulting Engineers Chatham, Illinois <small>Designed By: ESH Checked By: MTH Drawn By: ESH Date: 11/2009 File: 001-0044.dgn</small>	SHEET NO. 4	F.A.I. RTE.	SECTION	COUNTY	TOTAL SHEETS	SHEET NO.
	4 SHEETS	172	1-4HB-1	ADAMS	165	161
		CONTRACT NO. 72A09				
		FED. ROAD DIST. NO. ILLINOIS FED. AID PROJECT				