

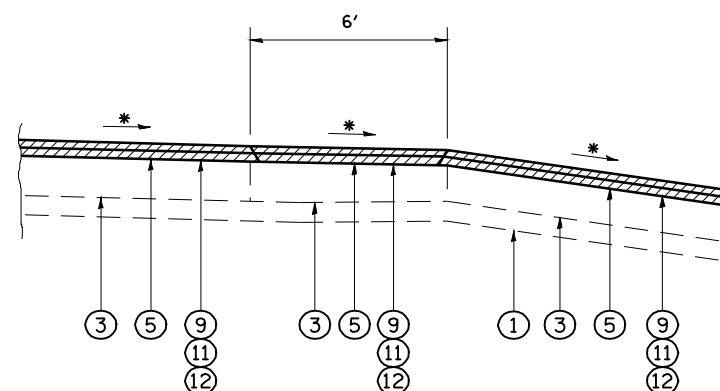
PLAN - ENTRANCE TERMINAL

INTERCHANGE	RAMP	ADJACENT MAINLINE	STA A		STA B	
			RAMP	MAINLINE	RAMP	MAINLINE
STAUNTON RD	B	SB I-55	17+46	179+63	19+46	181+63
STAUNTON RD	D	NB I-55	16+91	800+09	18+24	798+78

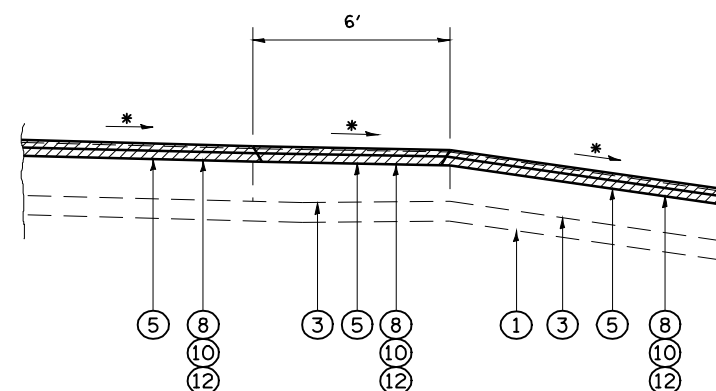
LEGEND

- 1 EX STABILIZED SUB-BASE
- 2 EX PCC BASE COURSE
- 3 EX PCC PAVEMENT
- 4 EX HOT-MIX ASPHALT SHOULDER
- 5 EX HOT-MIX ASPHALT
- 6 PR HOT-MIX ASPHALT SURFACE REMOVAL 1 1/2"
- 7 PR HOT-MIX ASPHALT SURFACE REMOVAL 2"
- 8 PR HOT-MIX ASPHALT SURFACE REMOVAL 3 1/4"
- 9 PR HOT-MIX ASPHALT SURFACE REMOVAL 5"
- 10 PR POLYMERIZED HOT-MIX ASPHALT BINDER COURSE, IL-19.0, N105 2 1/4"
- 11 PR POLYMERIZED HOT-MIX ASPHALT BINDER COURSE, IL-19.0, N105 3 1/2"
- 12 PR POLYMERIZED HOT-MIX ASPHALT SURFACE COURSE, MIX "E", N105 1 1/2"
- 13 PR HOT-MIX ASPHALT SURFACE COURSE, MIX C, N50 2"

\* MATCH EXIST SLOPE



SECTION A-A  
(RAMP B)



SECTION A-A  
(RAMP D)

FILE NAME =	USER NAME = coxte	DESIGNED -	REVISED -	<b>STATE OF ILLINOIS DEPARTMENT OF TRANSPORTATION</b>	<b>ENTRANCE RAMP DETAILS</b>				F.A.I. RTE. =	SECTION	COUNTY	TOTAL SHEETS	SHEET NO.
er:\pwork\pwid01\COXTE\dma25312\0672400-Detail.dgn		DRAWN -	REVISED -		55	59RS-2, BR	MACOUPIN	100	59				
PLOT SCALE = 100.0000' / IN.		CHECKED -	REVISED -		CONTRACT NO. 72A60				ILLINOIS FED. AID PROJECT				
PLOT DATE = Mar-23-2010 03:23:15PM		DATE -	REVISED -		SCALE:	SHEET NO.	OF SHEETS	STA.	TO STA.				