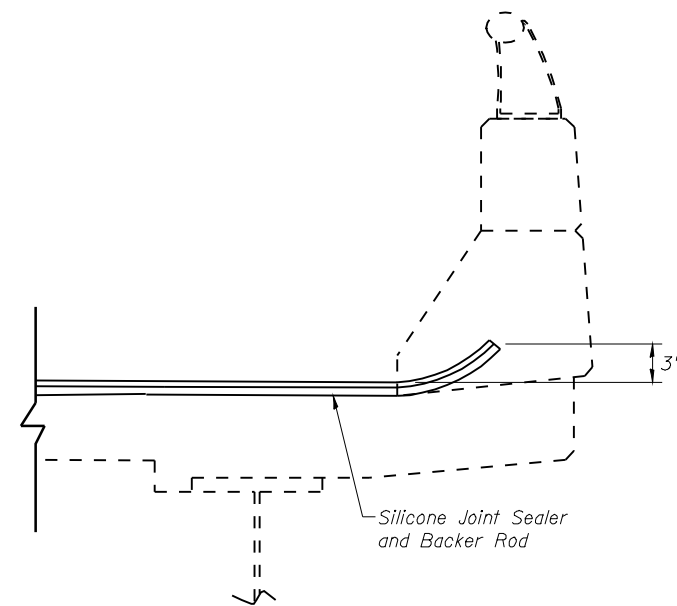


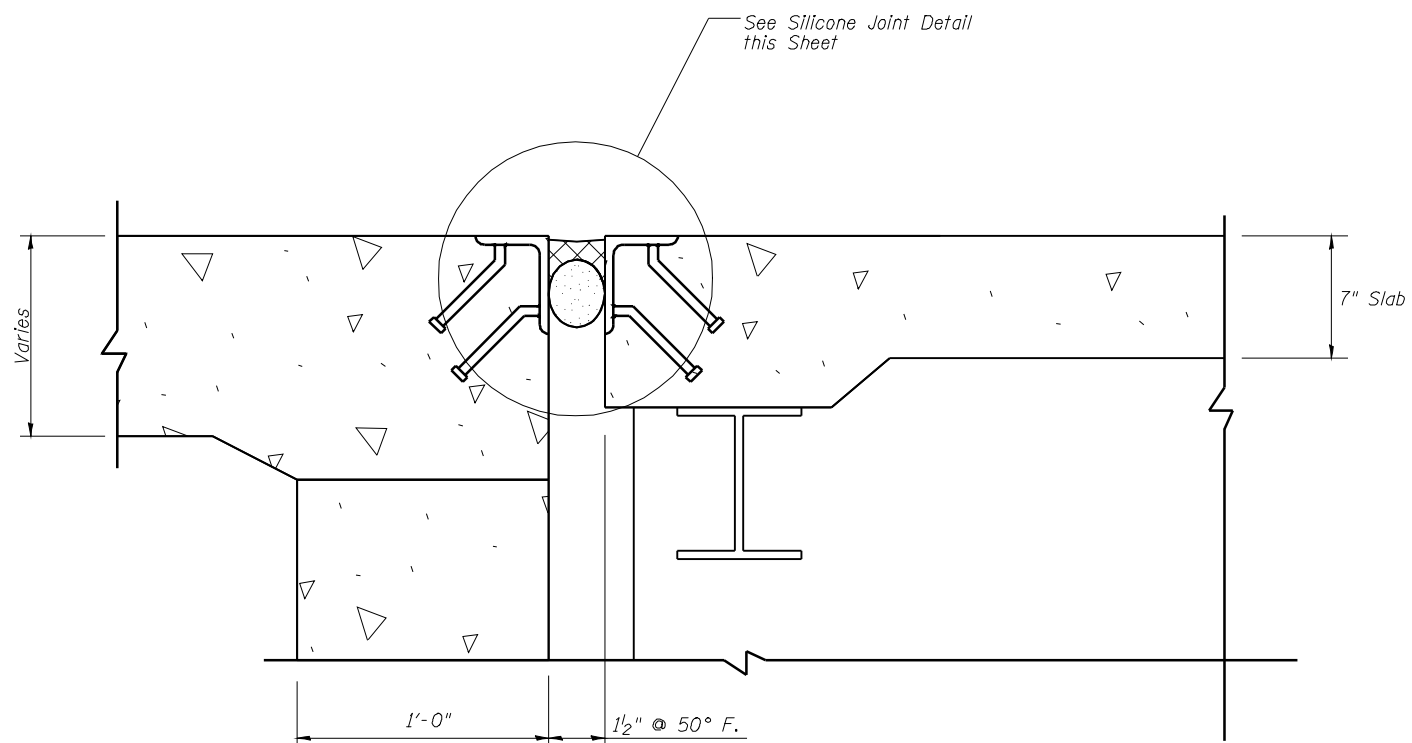
**EXISTING SECTION AT ABUTMENT**



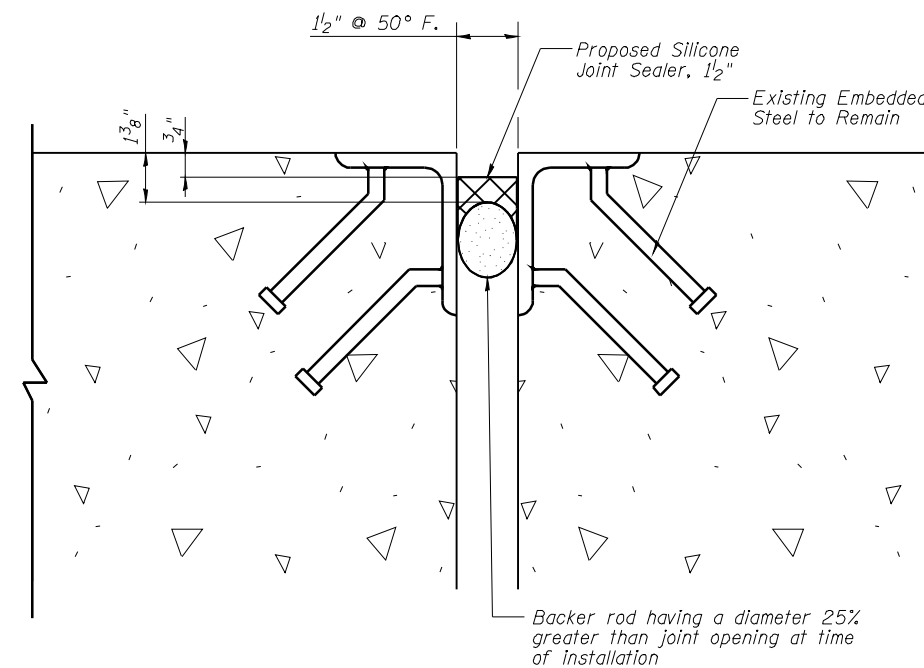
**TYPICAL END OF SEAL TREATMENT**

**NOTES:**

1. See Sheet 1 of 2 for Locations of Expansion Joint Replacement.



**PROPOSED SECTION AT ABUTMENT**



**SILICONE JOINT DETAIL**

**BILL OF MATERIAL**

Item	Unit	Quantity
Silicone Joint Sealer, 1/2"	Foot	60

**EXPANSION JOINT DETAILS  
STRUCTURE NO. 059-0042**

SHEET NO. 2 2 SHEETS	F.A.I. RTE.	SECTION	COUNTY	TOTAL SHEETS	SHEET NO.
	55	59RS-2, BR	Macoupin	100	80
FED. ROAD DIST. NO.			ILLINOIS FED. AID PROJECT		
CONTRACT NO. 72A60					