

BILL OF MATERIAL

Item	Unit	Total
Elastomeric Bearing Assembly Type I	Each	12
Anchor Bolts, 1"	Each	48
Jack & Remove	Each	12
Exist. Bearings	Each	12
Furnishing & Erecting Structural Steel	Pound	2320

Notes:
Anchor bolts shall be ASTM F1554 all-thread (or an Engineer-approved alternate material) of the grade(s) and diameter(s) specified. ASTM A307 Grade C anchor bolts may be used in lieu of ASTM F1554 Grade 36 (Fy=36ksi). The corresponding specified in lieu of ASTM F1554. Drilled and set anchor bolts shall be installed according to Article 52.06 of the Standard Specifications. Side retainers and other steel members required for the bearing assembly shall be included in the cost of Elastomeric Bearing Assembly, Type I. Steel Extensions, Shims and Bolts shall be included in the cost of Furnishing and Erecting Structural Steel. Painting of steel shall be according to Article 506.05 of the Standard Specifications. Provide two 8" adjusting shims for each bearing location. Adjusting shims shall be provided for each bearing in addition to all other plates or shims and placed as shown on bearing details. Fasteners shall be AASHTO M164 Type 1, mechanically galvanized bolts. Bolts 3/4" in 1/8" holes unless otherwise noted. Prior to ordering any material for shims or extensions, the contractor shall verify in the field all bearing height and shim thickness dimensions.

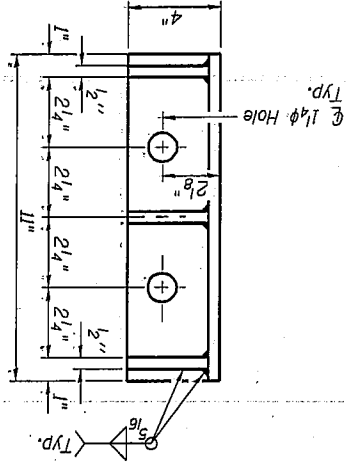
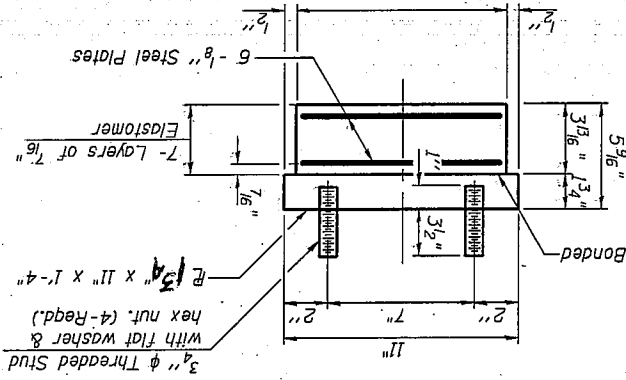
BEAM REACTIONS

R/D (K)	49.3
R/L (K)	46.5
Imp. (K)	10.2
R (Total)(K)	106.0

Min. Jack capacity = 60 Tons

Notes:
Shim plates shall not be placed under Bearing Assembly.

BEARING ASSEMBLY



SIDE RETAINER
Equivalent rolled angle with stiffeners will be allowed in lieu of welded plates.

BEARING DETAILS
STRUCTURE NO. 059-0044

SHEET NO. 6		SECTION		COUNTY		TOTAL SHEETS	
55	59RS-2, BR	Macoupin	100	86	CONTRACT NO. 72A60		
FED. ROAD DIST. NO.		ILLINOIS FED. AID PROJECT		10 SHEETS			