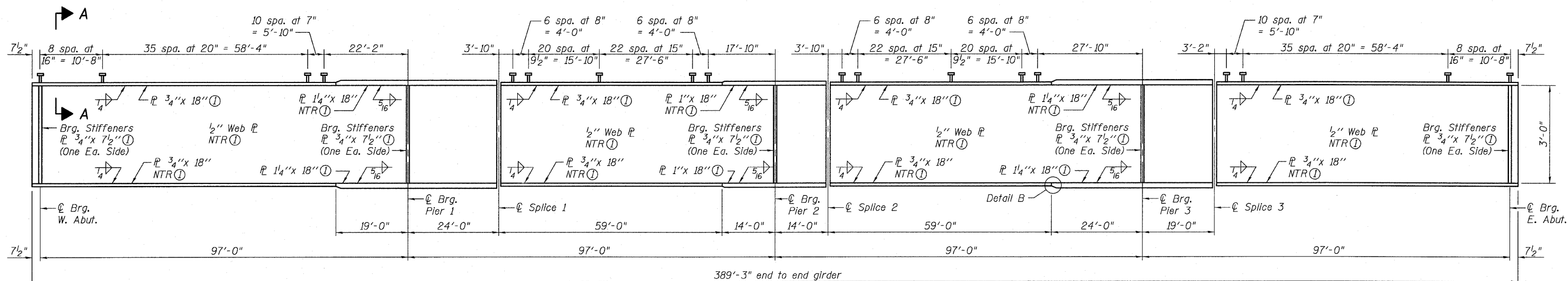


STATE OF ILLINOIS
DEPARTMENT OF TRANSPORTATION

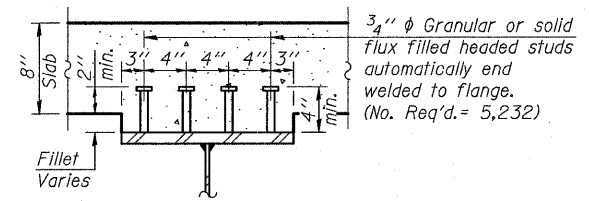
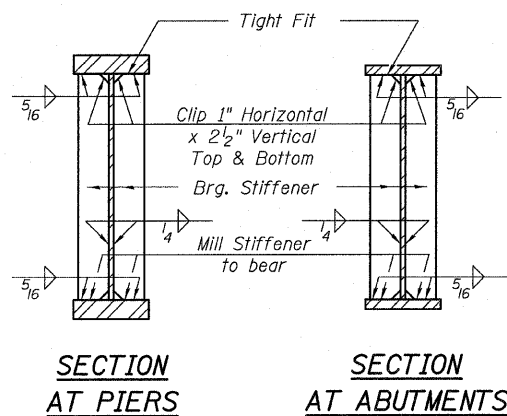


GIRDER ELEVATION

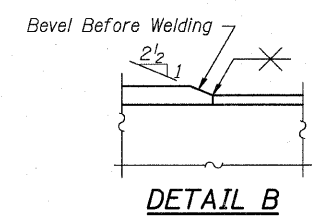
TOP OF WEB ELEVATIONS*

	Girder #1	Girder #2	Girder #3	Girder #4	Girder #5	Girder #6
℄ Brg. W. Abut.	478.31	478.44	478.54	478.54	478.44	478.31
℄ Brg. Pier 1	479.15	479.27	479.38	479.38	479.27	479.15
℄ Splice 1	479.19	479.32	479.42	479.42	479.32	479.19
℄ Brg. Pier 2	479.44	479.56	479.67	479.67	479.56	479.44
℄ Splice 2	479.39	479.51	479.61	479.61	479.51	479.39
℄ Brg. Pier 3	479.14	479.26	479.37	479.37	479.26	479.14
℄ Splice 3	479.00	479.13	479.23	479.23	479.13	479.00
℄ Brg. E. Abut.	478.33	478.45	478.56	478.56	478.45	478.33

*For fabrication only.

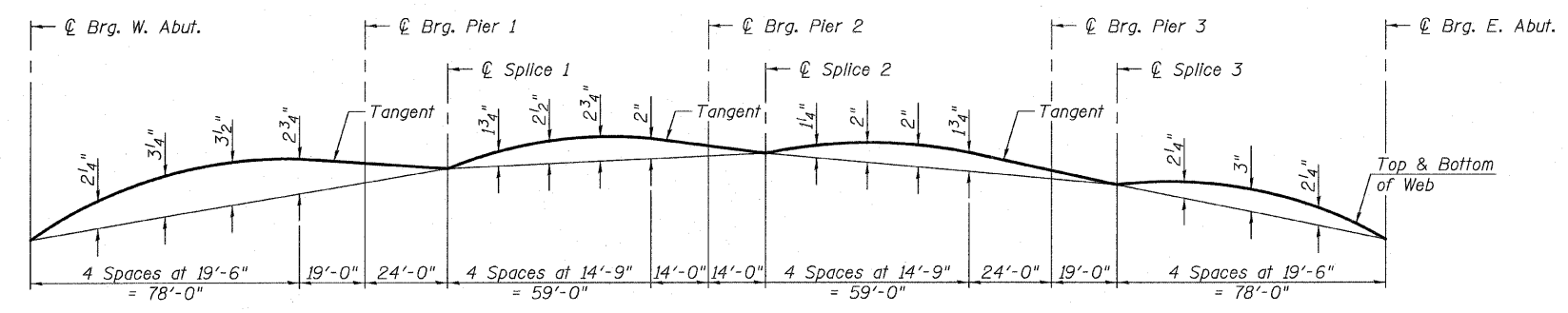


SECTION A-A




DETAIL B

- Notes:
 ① AASHTO M 270 Grade 50 Steel.
 ② Load carrying components designated "NTR" shall conform to the Supplemental Requirements for Notch Toughness, Zone 2.



CAMBER DIAGRAM

GIRDER DETAILS
STRUCTURE NO. 026-0105

SHEET NO. 19 38 SHEETS	F.A.P. RTE. 752	SECTION (U-2BR)B-1	COUNTY FAYETTE	TOTAL SHEETS 71	SHEET NO. 41
	CONTRACT NO. 74235				
FED. ROAD DIST. NO. 7 ILLINOIS FED. AID PROJECT					
 OATES ASSOCIATES Consulting Engineers	Eastport Business Center 1 100 Lanter Court, Suite 1 Collinsville, Illinois 62234 618-345-2200 Design Firm License No. 184.001115			DESIGNED JAD CHECKED DGL DRAWN JAD CHECKED DGL	