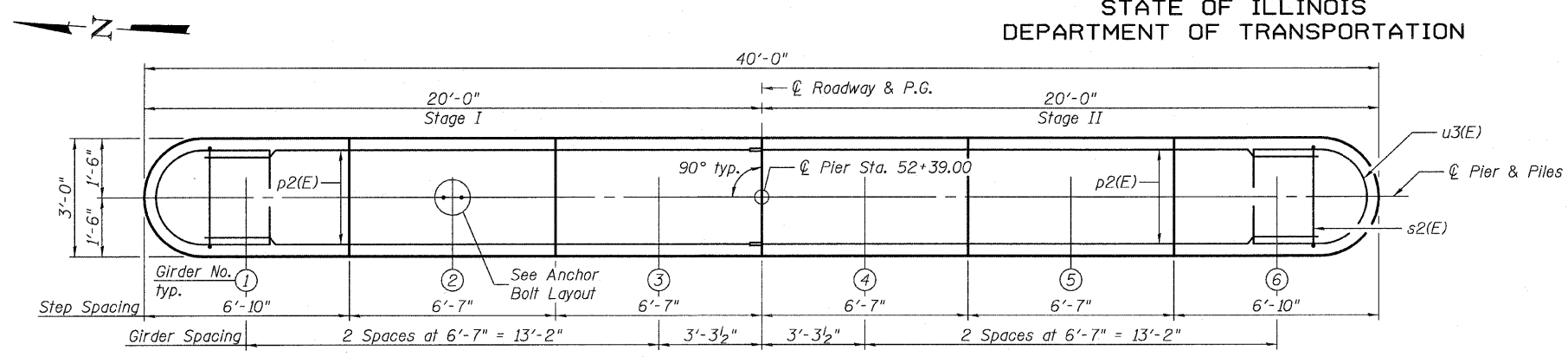
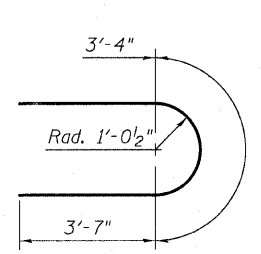


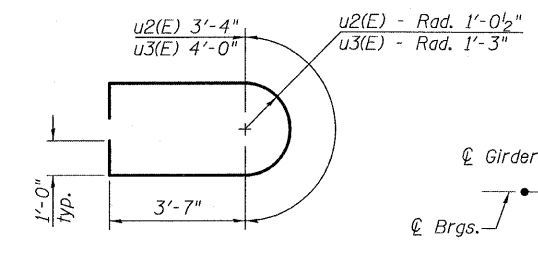
STATE OF ILLINOIS
DEPARTMENT OF TRANSPORTATION



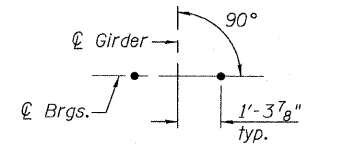
TOP PLAN



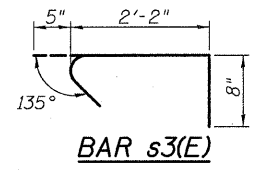
BAR u1(E)



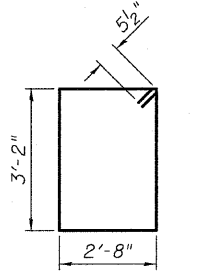
BARS u2(E) & u3(E)



ANCHOR BOLT LAYOUT ⑤



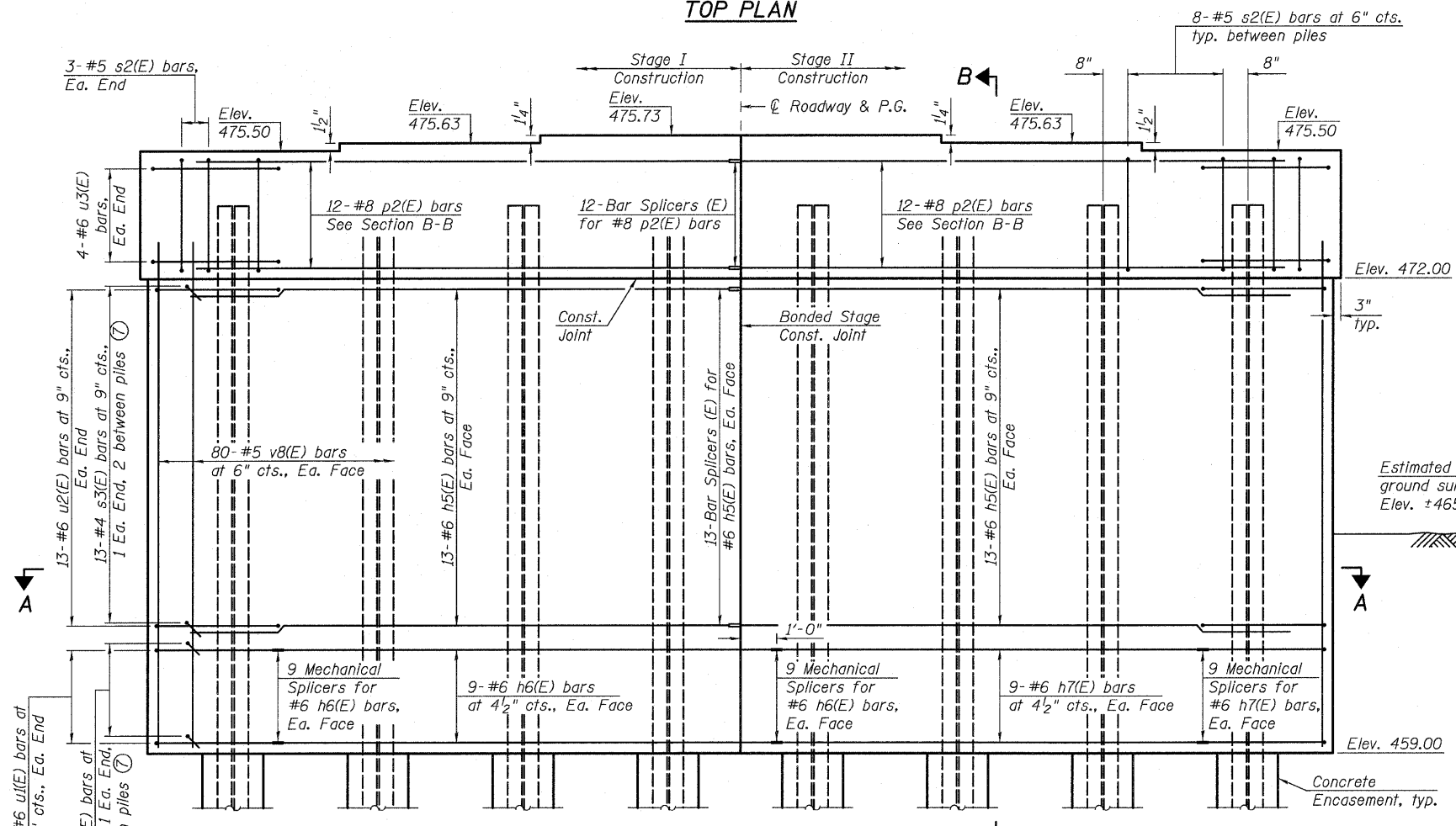
BAR s3(E)



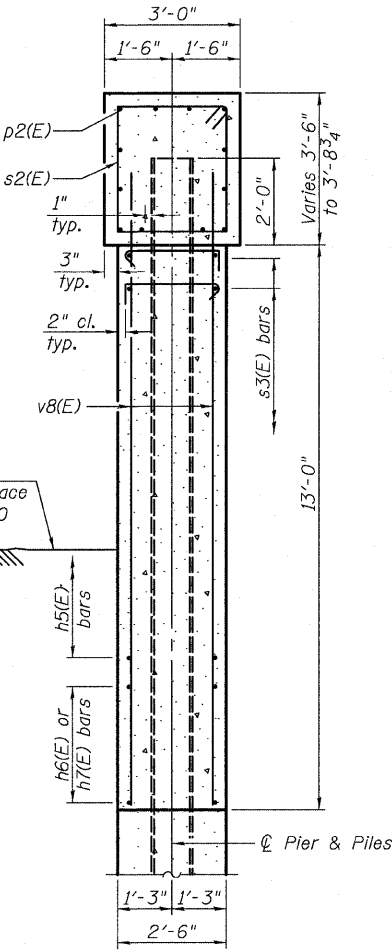
BAR s2(E)

BILL OF MATERIAL

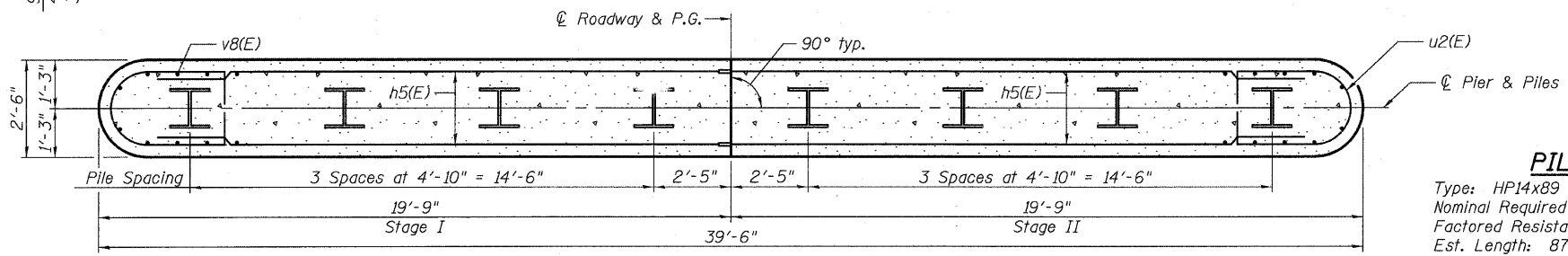
Bar	No.	Size	Length	Shape
h5(E)	52	#6	18'-4"	—
h6(E)	18	#6	15'-11"	—
h7(E)	18	#6	13'-11"	—
p2(E)	24	#8	18'-4"	—
s2(E)	62	#5	12'-7"	□
s3(E)	415	#4	3'-3"	┌
u1(E)	18	#6	10'-6"	U
u2(E)	26	#6	12'-6"	U
u3(E)	8	#6	13'-2"	U
v8(E)	160	#5	14'-1"	—
Structure Excavation		Cu. Yd.	63	
Concrete Structures		Cu. Yd.	62.7	
Concrete Encasement		Cu. Yd.	4.4	
Reinforcement Bars, Epoxy Coated		Pound	8,410	
Furnishing Steel Piles, HP14x89		Foot	609	
Driving Piles		Foot	609	
Test Pile Steel HP14x89		Each	1	
Underwater Structure Excavation Protection, Location 1		Each	1	
Mechanical Splicers		Each	54	



ELEVATION
(Looking East)



SECTION B-B



SECTION A-A

PILE DATA
Type: HP14x89
Nominal Required Bearing: 705 Kip
Factored Resistance Available: 353 Kip
Est. Length: 87'
No. Production Piles: 7
No. Test Piles: 1

- Notes:
- ① Pour steps monolithically with cap.
 - ② For details of Bar Splicers, see sheet 30 of 38.
 - ③ For details of piles and Concrete Encasement, see sheet 29 of 38.
 - ④ All edges shall have standard 3/4" chamfer.
 - ⑤ Space reinforcement in cap to miss anchor bolts.
 - ⑥ If a portion of the pier wall or concrete encasement is under water, reinforcement may be placed underwater into forms. Concrete shall be tremied according to Article 503.08 of the Standard Specifications to an elevation of 1'-0" above the water line at the time of construction.
 - ⑦ Alternate s3(E) bars end for end as shown in Section B-B.

PIER 3 DETAILS
STRUCTURE NO. 026-0105

SHEET NO. 28 38 SHEETS	F.A.P. RTE. 752	SECTION (U-2BR)B-1	COUNTY FAYETTE	TOTAL SHEETS 71	SHEET NO. 50
	CONTRACT NO. 74235				
FED. ROAD DIST. NO. 7 ILLINOIS FED. AID PROJECT					
<p>OATES ASSOCIATES Consulting Engineers</p>	Eastport Business Center 1 100 Lanter Court, Suite 1 Collinsville, Illinois 62234 618-345-2200 Design Firm License No. 184.001115			DESIGNED MAG CHECKED NEL DRAWN MAG CHECKED NEL	