

F.A. ROUTE	SECTION
999	82-1B-2
FED. AID PROJECT	ILLINOIS
COUNTY	ST. CLAIR
USER NAME = jjo11ff	
PLOT SCALE = #SCALE#	
PLOT DATE = 4/14/2010	
DESIGNED -	HNTB
CHECKED -	CMT
DRAWN -	CMT / HNTB
REVISED -	
REVISED -	
REVISED -	
REVISED -	

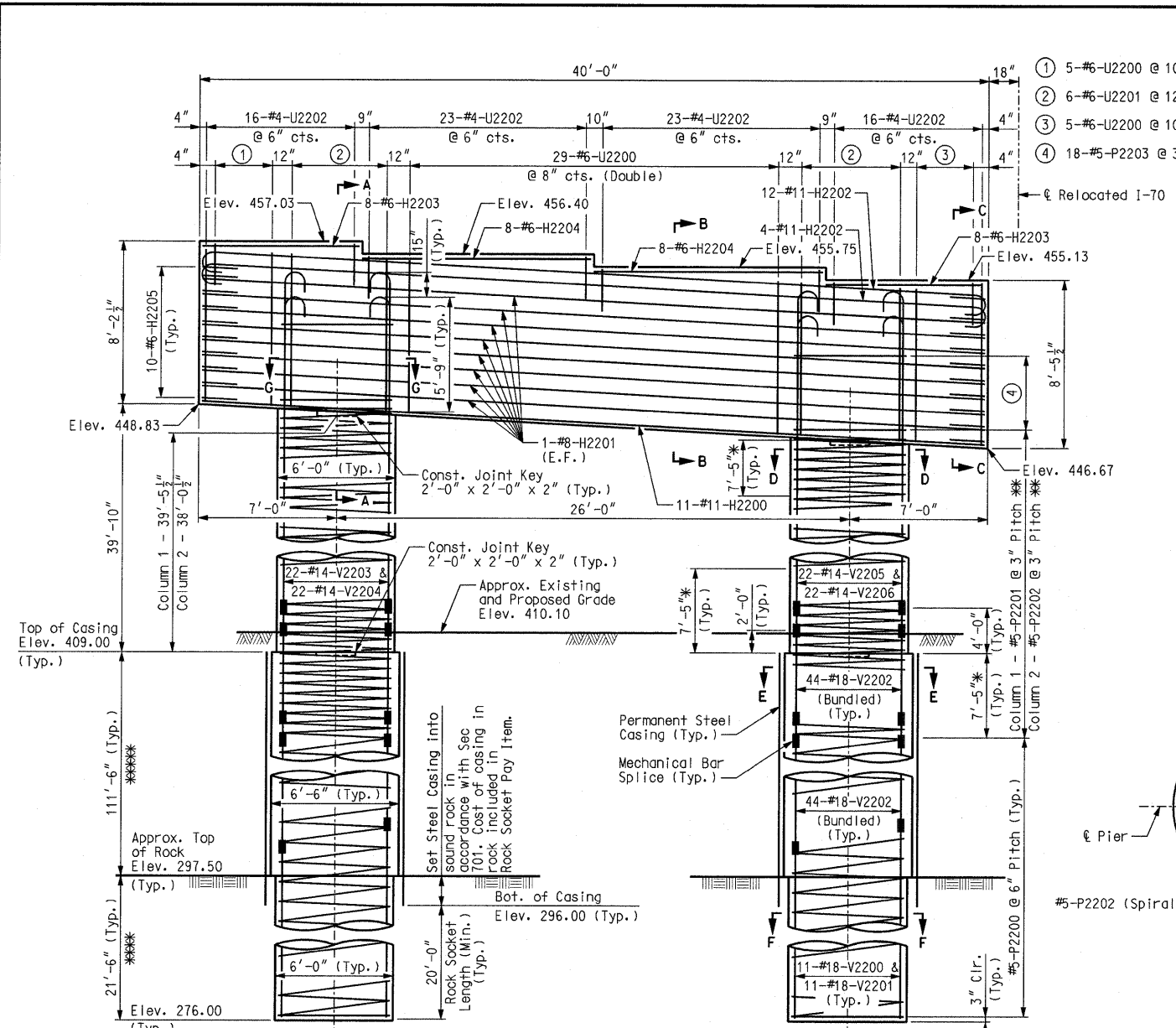
ILLINOIS APPROACH STRUCTURE FOR NEW I-70 MISSISSIPPI RIVER BRIDGE

STATE OF ILLINOIS
DEPARTMENT OF TRANSPORTATION

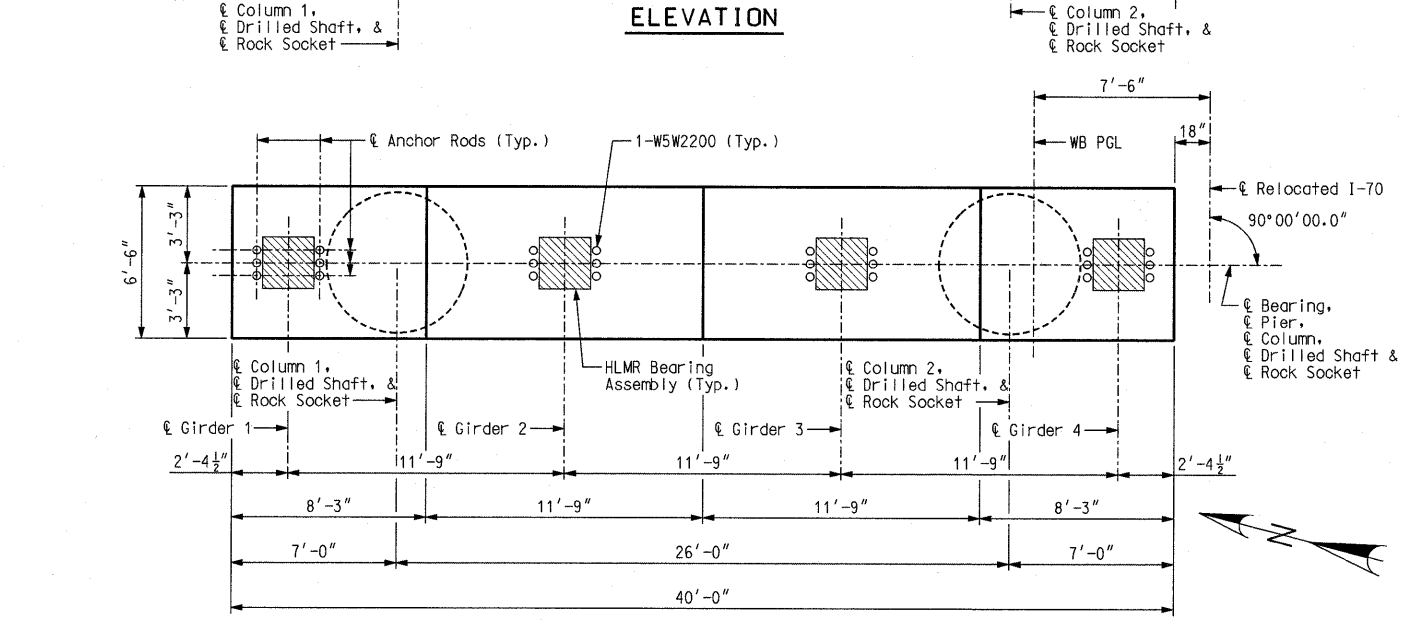
MISSOURI HIGHWAYS AND TRANSPORTATION COMMISSION

HNTB
715 KIRK DRIVE
KANSAS CITY, MO 64105
TELEPHONE (816) 472-1201
CERTIFICATE OF AUTHORITY NO. 001270

CMT
CRAWFORD, MURPHY & TILLY, INC.
2750 WEST WASHINGTON STREET
SPRINGFIELD, IL 62702
TELEPHONE (217) 787-8050
ENGINEERING CORPORATION - 000631

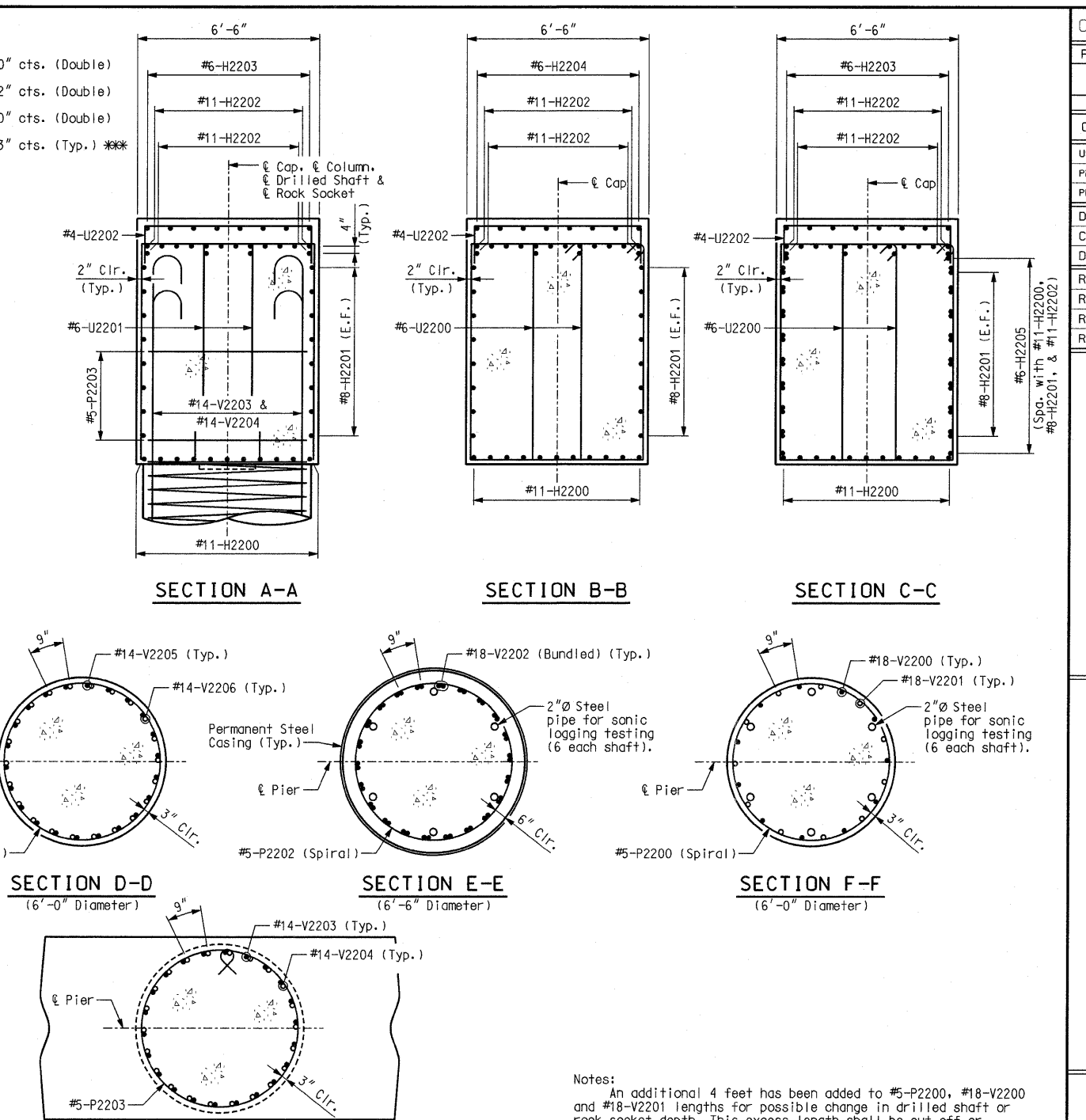


ELEVATION



PLAN

Note: This drawing is not to scale. Follow dimensions.



SUBSTRUCTURE QUANTITY TABLE FOR PIER 22 WB

Item	Quantity
Drilled Shafts (6 ft. 6 in. Dia.)	223.0
Rock Sockets (6 ft. 0 in. Dia.)	43.0
Supplementary Television Camera Inspection	1
Foundation Inspection Holes	63.0
Sonic Logging Testing	2
Class B Concrete (Substructure)	161.3
Reinforcing Steel (Bridges)	208,650
Mechanical Bar Splice	220
Non-Special Waste Disposal	26.2

Note: These quantities are included in the estimated quantities table on Sheet No. 7.
Sheet No. 36 of 152

Notes:
An additional 4 feet has been added to #5-P2200, #18-V2200 and #18-V2201 lengths for possible change in drilled shaft or rock socket depth. This excess length shall be cut off or included in the reinforcement lap if not required.
Sonic logging testing shall be performed on all drilled shafts and rock sockets.
All reinforcing bars in the tops of substructure beams or caps shall be spaced to clear anchor bolt wells for bearings by at least 1/2".
The hooks of V-Bars embedded in the beam cap shall be oriented inward. Bending the hook outward, away from the column core, is not allowed.
The thickness of steel casing shall meet all the requirements of Sec 701 with minimum thickness being 3/8 inch. Thicker casing may be required for installation.
For details of HLMR Bearing Assembly, see Sheet No. 43. For Anchor Rod Well Details and Anchor Rod Setting Plan, see Sheet No. 46.
For details of seismic stirrup bars, see Sheet No. 7.
* Lapping of spiral reinforcement in this region not permitted.
** Continue spiral bars to the bottom of the beam cap stirrup reinforcing bar.
*** Splice locations shall be staggered.
Anchorage of spiral reinforcement shall be provided by 1-1/2 extra turns of spiral bar at each end of spiral unit.
**** Pay Items Rock Socket (6 ft. 0 in. Dia.).
***** Pay Items Drilled Shaft (6 ft. 6 in. Dia.).

PIER 22 WB