

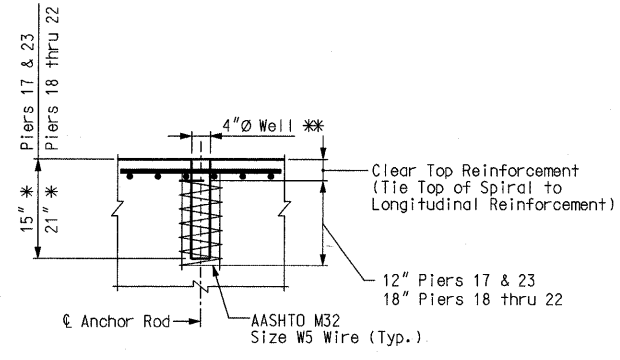
ANCHOR ROD SETTING PLAN  
PIER 17 (SPAN 17-18)

ANCHOR ROD SETTING PLAN  
PIER 18

ANCHOR ROD SETTING PLAN  
PIER 19

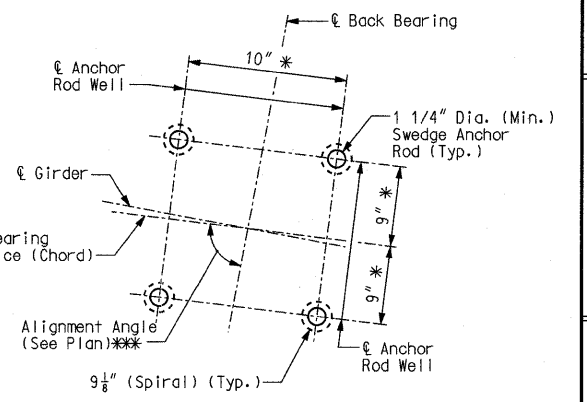
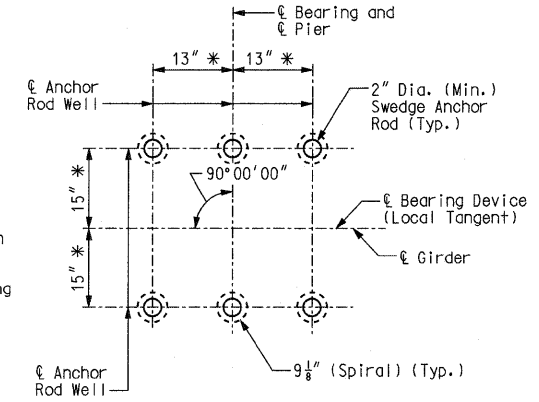
ANCHOR ROD SETTING PLAN  
PIER 20

ANCHOR ROD SETTING PLAN  
PIER 21



Notes:  
 \* The contractor, in coordination with the bearing manufacturer, shall be responsible for determining the size, number, and location of anchor rods based on the load and movement capacities, as indicated in the Bearing Data shown on Sheet Nos. 42 and 43.  
 \*\* At the contractor's option the anchor bolt wells may be omitted, and in lieu thereof, holes drilled into the substructure. The anchor bolt holes shall be drilled in the exact location shown, to the required depth and perpendicular to the plane of the bridge seat. The drilled holes shall be no smaller than the diameter of the holes in the steel bearing plates or castings. The contractor shall not interfere with the beam cap reinforcing steel in any manner. The reinforcing steel shall not be cut or lanced in the event that the drilling for anchor rods interferes with the bars. When the anchor bolts are set in holes or wells, the hole or well shall be clean and dry prior to grouting with an expansive mortar in accordance with Sec 1066. Excess mortar forced out of holes shall be removed.  
 \*\*\* Alignment angle measured from Bearing to Bearing Device. Anchor Rod Well sizes are conceptual and shall be sized by Contractor and coordinated with anchor rod requirements of the multi-rotational bearing manufacturer.

Note: Anchor Rod Well sizes are conceptual and shall be sized by Contractor and coordinated with anchor rod requirements of the multi-rotational bearing manufacturer.



ANCHOR ROD SETTING PLAN  
PIER 22

ANCHOR ROD SETTING PLAN  
PIER 23

BEARING DEVICE ALIGNMENT AND ANCHOR BOLT SETTING PLAN EB - UNIT 2

ILLINOIS APPROACH STRUCTURE FOR NEW I-70 MISSISSIPPI RIVER BRIDGE

STATE OF ILLINOIS  
 DEPARTMENT OF TRANSPORTATION  
 MISSOURI HIGHWAYS AND TRANSPORTATION COMMISSION

HNTB  
 715 KIRK DRIVE  
 KANSAS CITY, MO 64105  
 TELEPHONE (816) 472-1201  
 CERTIFICATE OF AUTHORITY NO. 001270

CMT  
 CRANFORD, MURPHY & TILLY, INC.  
 2750 WEST WASHINGTON STREET  
 SPRINGFIELD, IL 62702  
 TELEPHONE (217) 787-8050  
 ENGINEERING CORPORATION - 000631