

F.A. ROUTE	SECTION
999	82-1B-2
FED. AID PROJECT	ILLINOIS
COUNTY	ST. CLAIR
USER NAME = jjolliff	
PLOT SCALE = #SCALE#	
PLOT DATE = 4/14/2010	
DESIGNED -	HNTB
CHECKED -	CMT
DRAWN -	CMT / HNTB
REVISED -	
REVISED -	
REVISED -	
REVISED -	

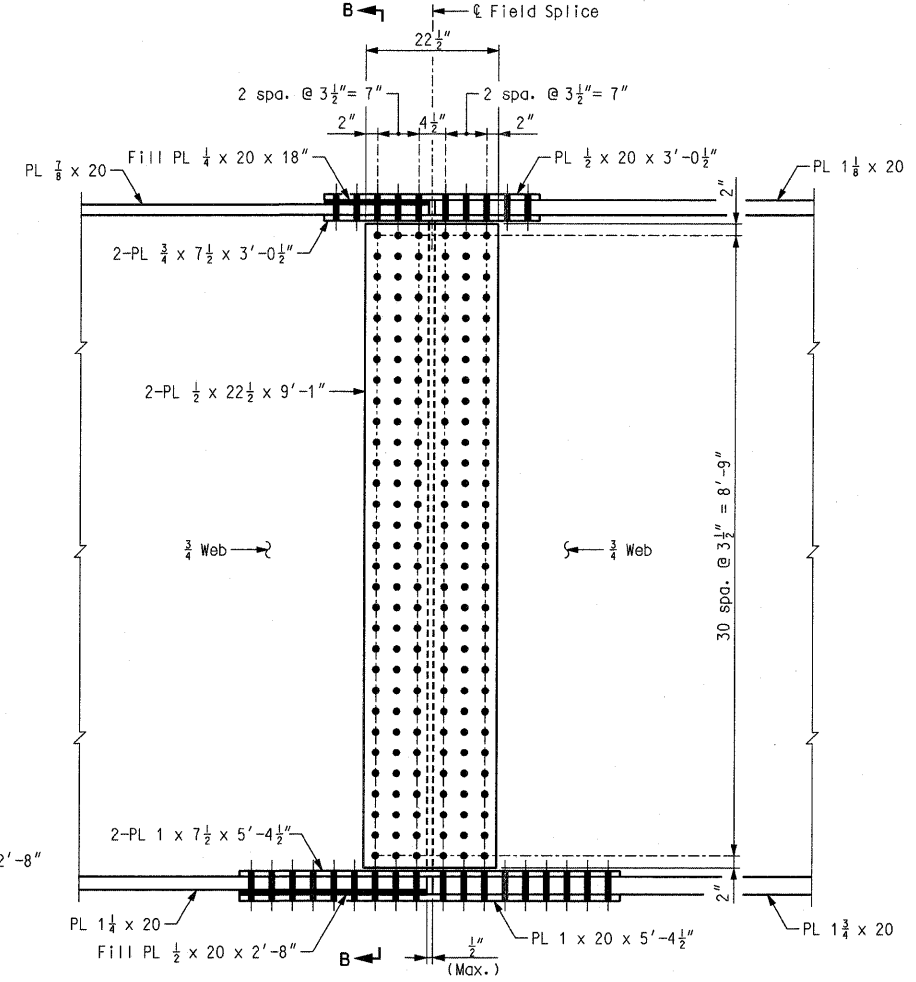
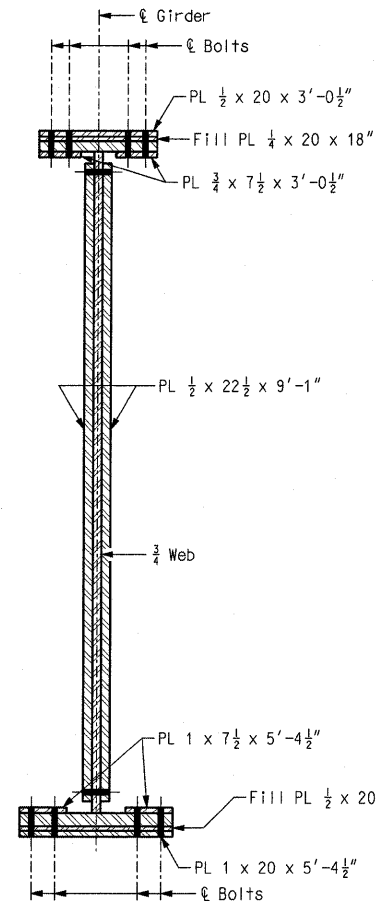
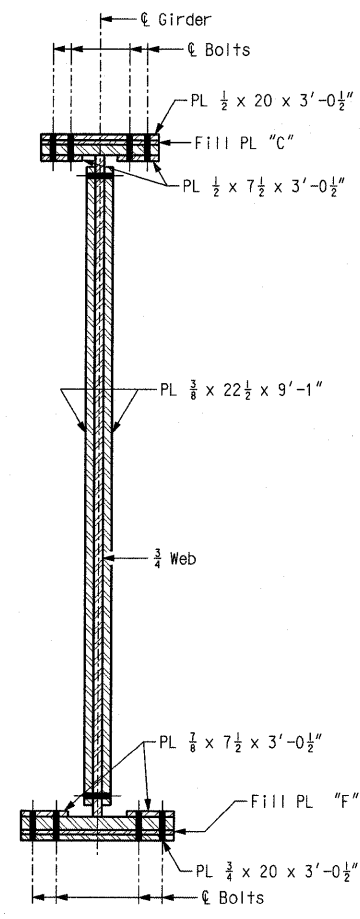
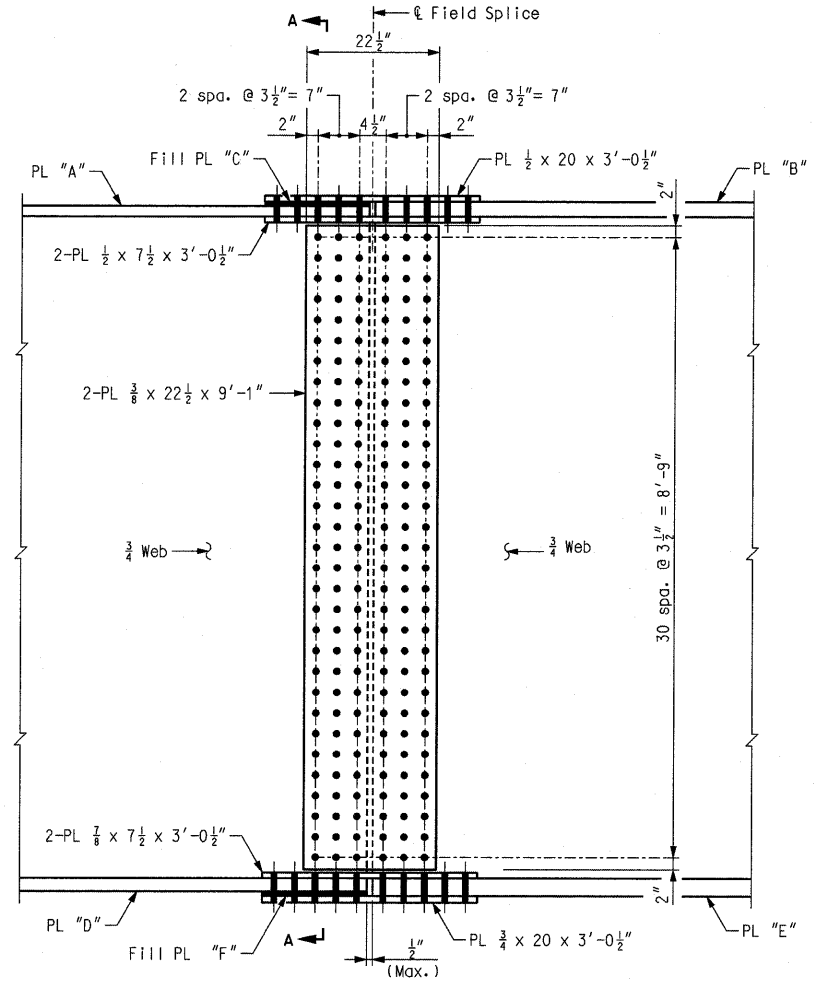
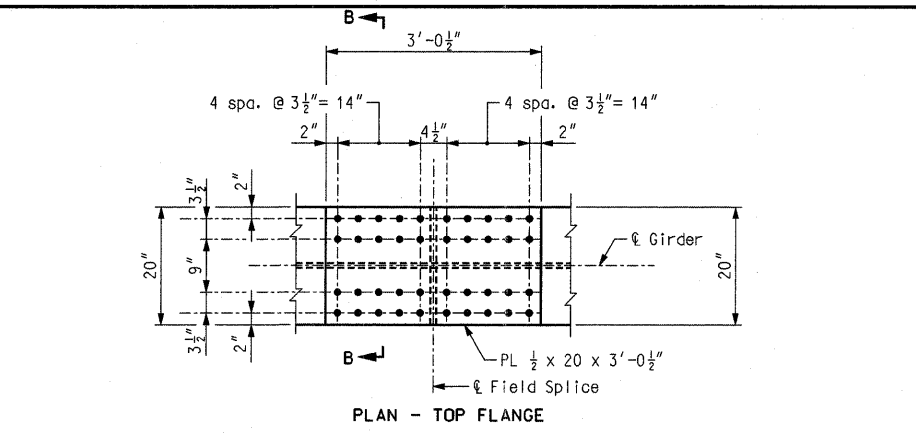
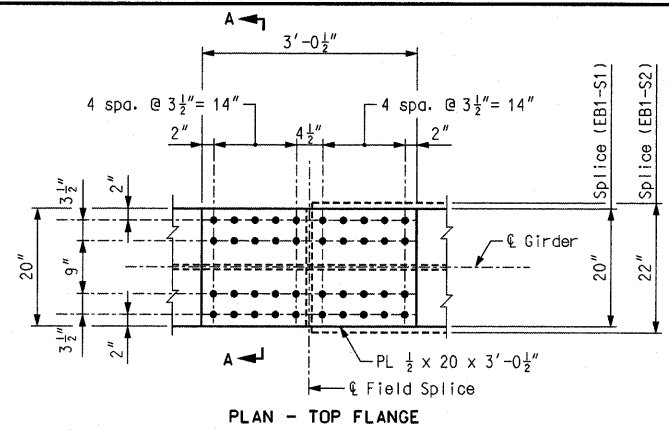
ILLINOIS APPROACH STRUCTURE
FOR NEW I-70 MISSISSIPPI RIVER BRIDGE

STATE OF ILLINOIS
DEPARTMENT OF TRANSPORTATION
MISSOURI HIGHWAYS
AND TRANSPORTATION COMMISSION

HNTB
715 KIRK DRIVE
KANSAS CITY, MO 64105
TELEPHONE (816) 472-1201
CERTIFICATE OF AUTHORITY
NO. 001270

CMT
CRAWFORD, MURPHY & TILLY, INC.
2750 WEST WASHINGTON STREET
SPRINGFIELD, IL 62702
TELEPHONE (217) 787-8050
ENGINEERING CORPORATION - 000631

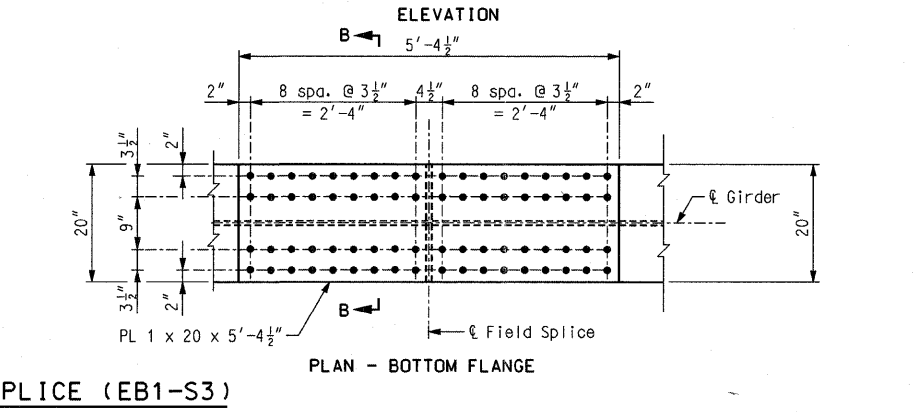
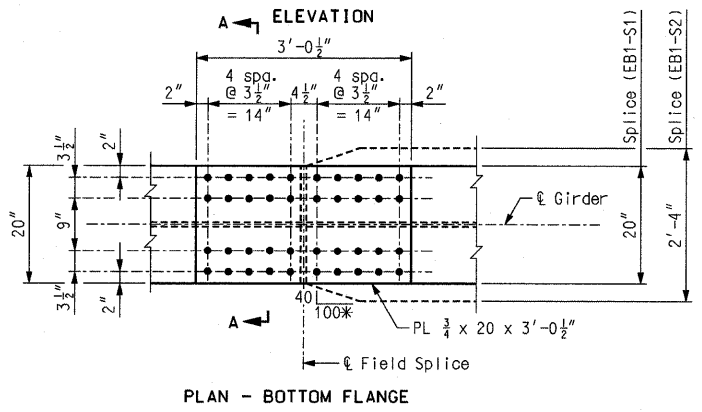
Splice	Top Flange			Bottom Flange		
	PL "A"	PL "B"	FILL PL "C"	PL "D"	PL "E"	FILL PL "F"
(EB1-S1)	7/8 x 20	7/8 x 20	-	1 1/8 x 20	1 1/4 x 20	1/8 x 20 x 18"
(EB1-S2)	1 x 20	1 x 22	-	1 1/4 x 20	1 1/4 x 28	-



SECTION A-A

SECTION B-B

ELEVATION



FIELD SPLICE (EB1-S1) & (EB1-S2)

FIELD SPLICE (EB1-S3)

BOLTED FIELD SPLICE DETAILS - EB UNIT 1

Notes:
Use 1" Ø A325 high strength bolts with 1 1/16" Ø holes.
Faying surfaces shall be in accordance with Sec. 1080.4 for weathering steel and Sec 1081 for surface preparation.
All splice plates except fill plates shall be subject to notch toughness requirements.
Fabricated structural steel for splice plates and fill plates shall be ASTM A709 Grade 50W.
For location of field splices, see Sheet Nos. 56 and 57.
* When width of flanges being spliced differs by more than 2", the larger flange shall be beveled as indicated.