

F.A. ROUTE	SECTION
999	82-1B-2
FED. AID PROJECT	ILLINOIS
COUNTY	ST. CLAIR
USER NAME = Jjolliff	
PLOT SCALE = #SCALE#	
PLOT DATE = 4/14/2010	
DESIGNED - HNTB	
CHECKED - CMT	
DRAWN - CMT / HNTB	
REVISED -	
REVISED -	
REVISED -	
REVISED -	

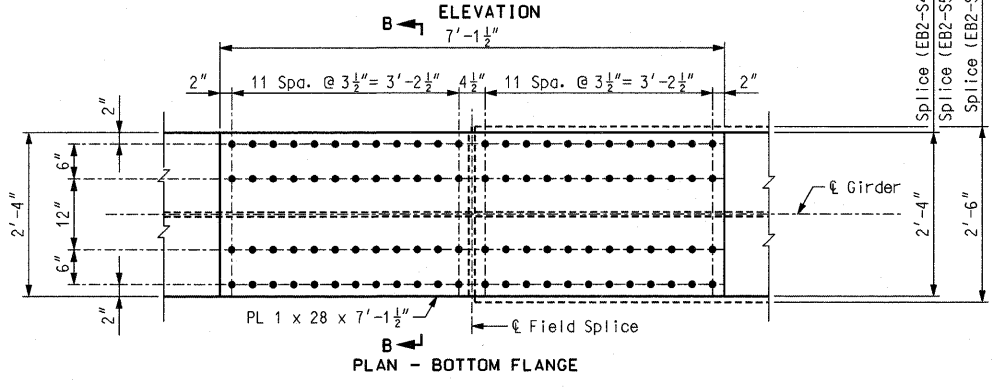
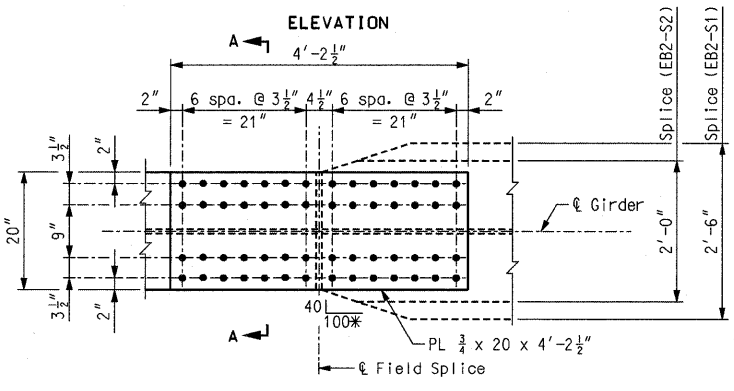
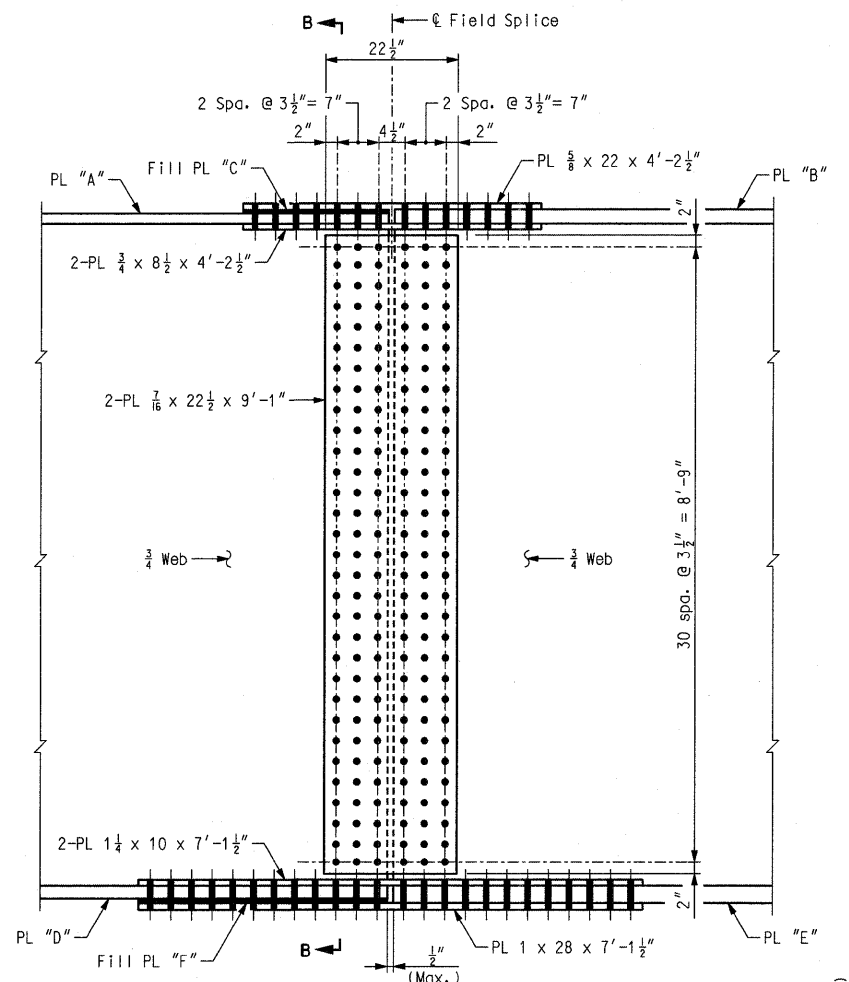
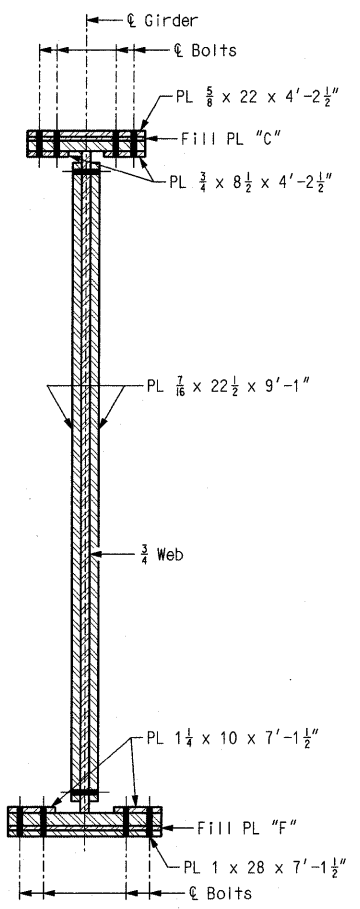
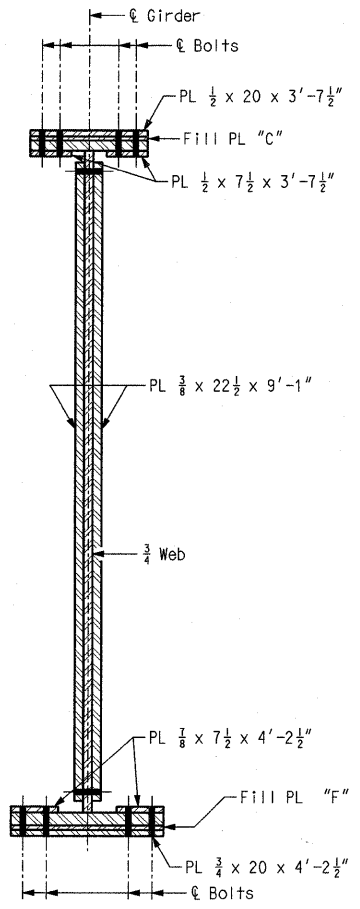
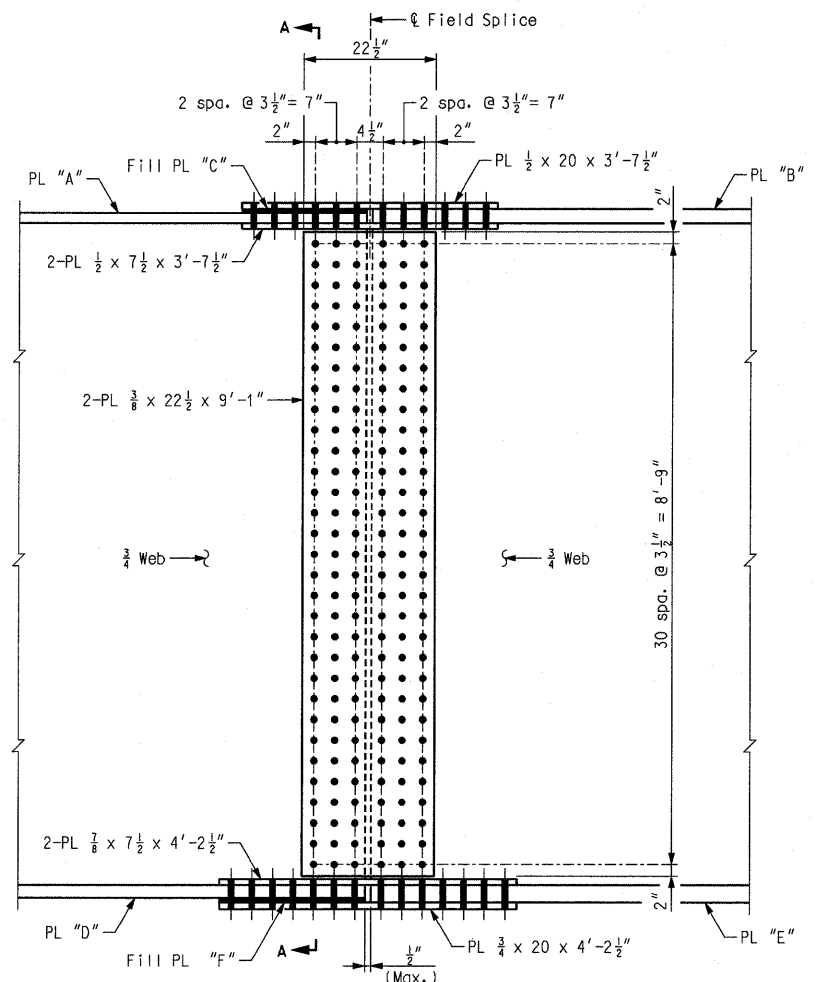
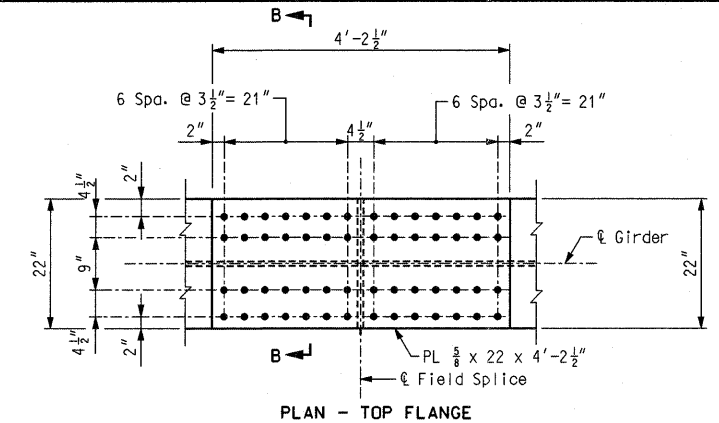
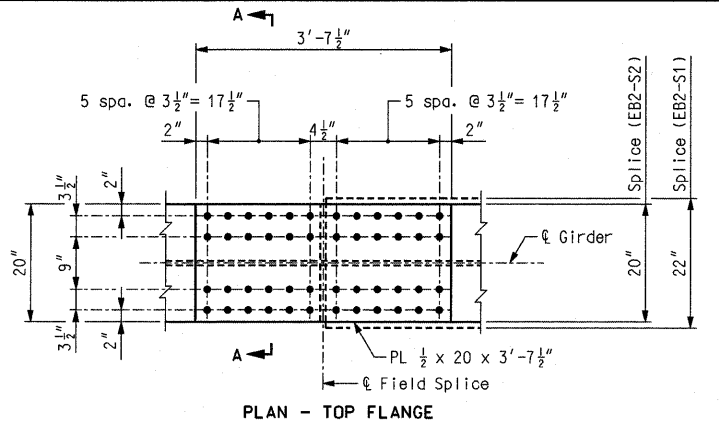
ILLINOIS APPROACH STRUCTURE  
FOR NEW I-70 MISSISSIPPI RIVER BRIDGE

STATE OF ILLINOIS  
DEPARTMENT OF TRANSPORTATION  
MISSOURI HIGHWAYS  
AND TRANSPORTATION COMMISSION

**HNTB**  
715 KIRK DRIVE  
KANSAS CITY, MO 64105  
TELEPHONE (816) 472-1201  
CERTIFICATE OF AUTHORITY  
NO. 001270

**CMT**  
CRANFORD, MURPHY & TILLY, INC.  
2750 WEST WASHINGTON STREET  
SPRINGFIELD, IL 62702  
TELEPHONE (217) 787-8050  
ENGINEERING CORPORATION - 000631

Splice	Top Flange			Bottom Flange		
	PL "A"	PL "B"	FILL PL "C"	PL "D"	PL "E"	FILL PL "F"
(EB2-S1)	$\frac{7}{8} \times 20$	1 x 22	$\frac{5}{8} \times 20 \times 21\frac{1}{2}$	$1\frac{1}{8} \times 20$	$1\frac{1}{4} \times 30$	$\frac{1}{8} \times 20 \times 2'-1"$
(EB2-S2)	$\frac{7}{8} \times 20$	$\frac{7}{8} \times 20$	-	$1\frac{1}{2} \times 20$	$1\frac{3}{8} \times 24$	$\frac{1}{8} \times 20 \times 2'-1"$ **
(EB2-S3)	1 x 22	1 x 22	-	$1\frac{1}{2} \times 28$	$1\frac{1}{4} \times 30$	$\frac{1}{4} \times 28 \times 3'-6\frac{1}{2}"$ **
(EB2-S4)	1 x 22	$1\frac{1}{4} \times 22$	$\frac{1}{4} \times 22 \times 2'-1"$	$1\frac{1}{2} \times 28$	2 x 28	$\frac{1}{2} \times 28 \times 3'-6\frac{1}{2}"$
(EB2-S5)	$1\frac{1}{4} \times 22$	2 x 22	$\frac{3}{4} \times 22 \times 2'-1"$	2 x 28	2 x 28	-



Notes:  
 Use 1"  $\phi$  A325 high strength bolts with 1 1/16"  $\phi$  holes.  
 Faying surfaces shall be in accordance with Sec. 1080.4 for weathering steel and Sec. 1081 for surface preparation.  
 All splice plates except fill plates shall be subject to notch toughness requirements.  
 Fabricated structural steel for splice plates and fill plates shall be ASTM A709 Grade 50W.  
 For location of field splices, see Sheet Nos. 61 thru 63.  
 \* When width of flanges being spliced differs by more than 2", the larger flange shall be beveled as indicated.  
 \*\* Fill PL "F" placed with PL "E" at Splice (EB2-S2) and Splice (EB2-S3).

FIELD SPLICE (EB2-S1) AND (EB2-S2)

FIELD SPLICE (EB2-S3), (EB2-S4), AND (EB2-S5)

BOLTED FIELD SPLICE DETAILS - EB UNIT 2 (1 OF 2)